

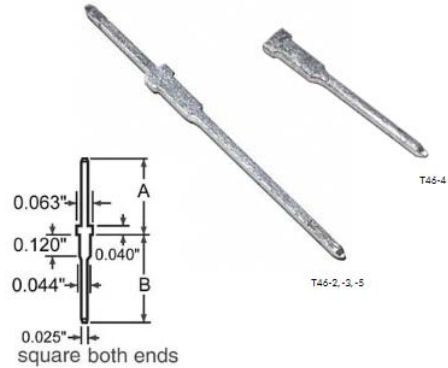
Wire-Wrap Terminals

**T46 Press-In terminals for 0.042" diameter holes**

- Wire-Wrap terminal single and double-tailed (accessible from both sides)
- 0.025" square posts
- Provides secure contact without soldering or staking
- Rectangular base with stepped shank presses into plain or plated-thru holes and is retained without etching or soldering
- Pointed ends slide neatly into all wrapping bits
- 260 Cartridge Brass

Tin Plated Part Number	Gold Plated Part Number	Qty/Pack	Dim. A	Dim. B	Hand Insertion Tool
T46-2-9/M	-	1000	0.36"	0.42"	P133A
T46-3-9/C	-	100	0.46"	0.60"	P133A
T46-3-9/M	T46-3A9/M	1000	0.46"	0.60"	P133A
T46-4-9/C	-	100	0.04"	0.42"	P133A
T46-4-9/M	T46-4A9/M	1000	0.04"	0.42"	P133A
T46-5-9/C	-	100	0.28"	0.60"	P133A
T46-5-9/M	-	1000	0.28"	0.60"	P133A

Tools sold separately

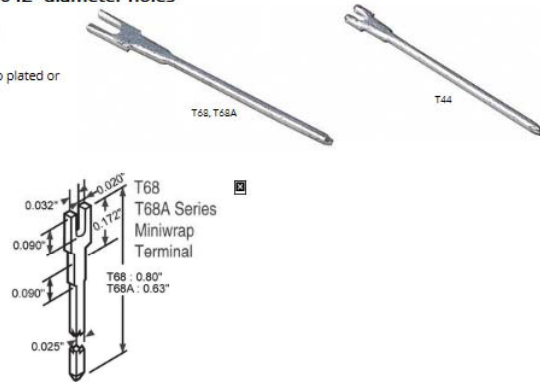


**T44, T68 Bifurcated miniwrap terminals for 0.042" diameter holes**

- Wire-Wrap tail with two-pronged receptacle for wires or leads
- 0.025" square posts
- Rectangular terminal with stepped shank presses securely into plated or unplated holes, requires no staking or soldering
- Bifurcated end holds soldered leads securely
- T44: maximum 0.021" diameter leads or 24 gage wires
- T68: maximum 0.032" diameter leads or 20 gage wires
- 260 Cartridge Brass

Tin Plated Part Number	Gold Plated Part Number	Qty/Pack	Hand Insertion Tool
T44/C	T44-1/C	100	A13
T44/M	T44-1/M	1000	A13
T68/C	T68-1/C	100	A13-1
T68/M	T68-1/M	1000	A13-1
T68A/M	-	1000	A13-1

Tools sold separately

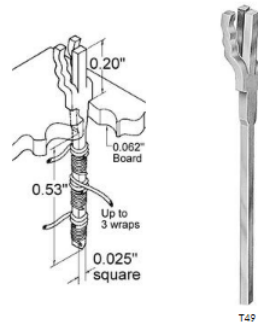


**T49 Trifurcated Klipwrap terminals for 0.042" diameter holes**

- Wire-wrap tail with three-pronged receptacle for wires or leads
- 0.025" square posts
- Wires or leads are crimped into receptacle on component side, secured for soldering
- Holds 0.018" - 0.025" diameter leads or 22 gage wires in lower slot, 0.032" - 0.040" diameter leads or 17 gage wires in upper slot
- Overall length - 0.650", 0.215" above 0.062" thick board with 0.373" below the board
- Phosphor Bronze

Tin Plated Part Number	Gold Plated Part Number	Qty/Pack	Hand Insertion Tool
T49/C	T49A/C	100	P156
T49/M	T49A/M	1000	P156

Tools sold separately



**T125, T126 Wire Wrap Terminals for 0.042" diameter holes**

- Pressfit wire-wrap terminals, ideal for connecting voltage and ground holes in Vectorbord plus™ and Pads & Planes™ patterns
- 2-level terminals: Part No. T125
- 3-level terminals: Part No. T126
- Phosphor Bronze

Tin Plated Part Number	Gold Plated Part Number	Qty/Pack	Dim. A	Dim. B	Hand Insertion Tool
T125/C	-	100	0.56"	0.53"	-
T126/C	-	100	0.70"	0.67"	-

Tools sold separately

