

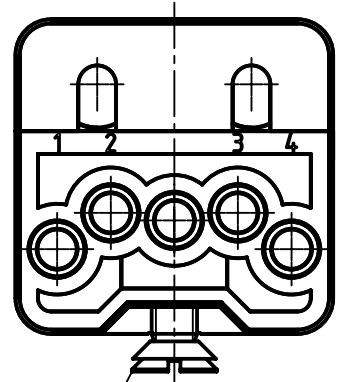
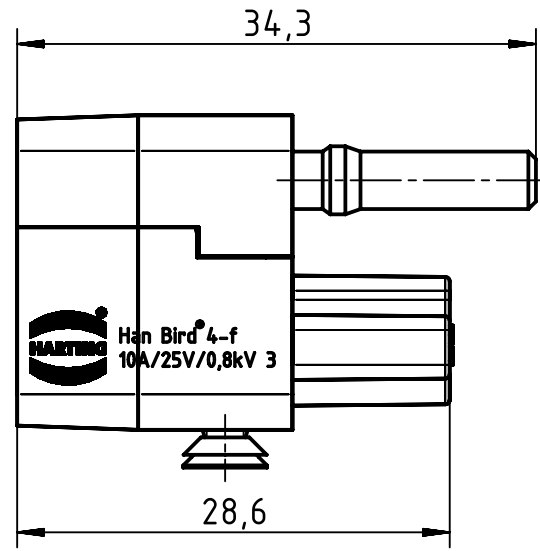
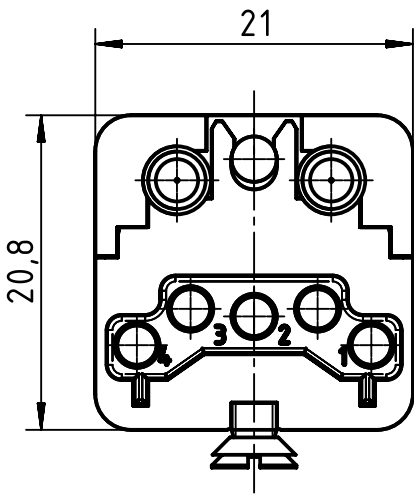
1 2 3 4 5 6

A

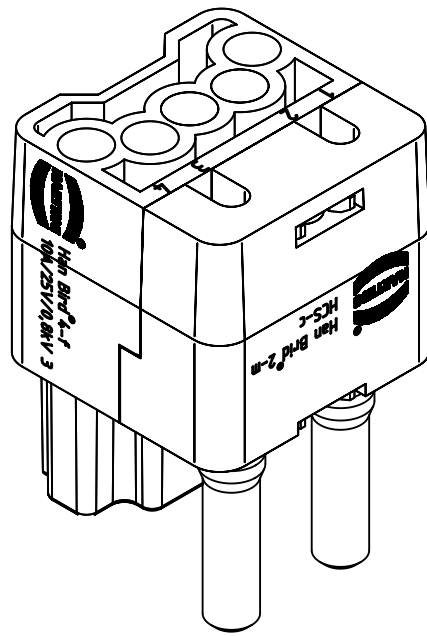
B

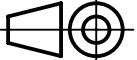

C

D



countersunk screw M3x6 enclosed separately



	All Dimensions in mm Original Size DIN A4		Scale 2:1	Free size tol.		Ref.	
						Sub.	
	All rights reserved Department EL PD - DE		Created by FINKEV	Inspected by SCHNIEDER	Standardisation TIEMANNA	Date 2014-02-17	State Final Release
	HARTING Electric GmbH & Co. KG D-32339 Espelkamp		Title Han Brid-Male-C+2 FOC-Male-C (K)			Doc-Key / ECM-Nr. 100205823/UGD/004/A 500000071208	
			Type TB	Number 09 12 004 2716		Rev. A	Page 1/1