

1

2

3

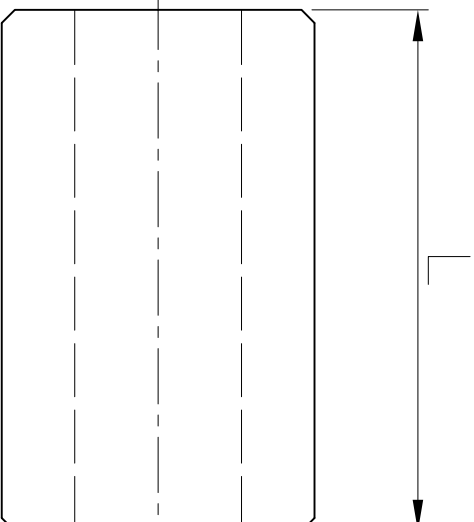
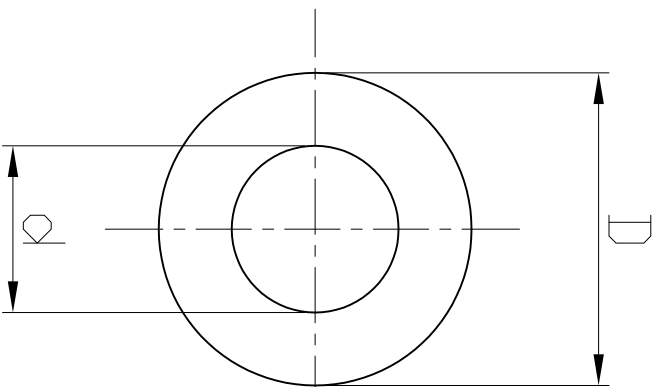
4

5

6

7

RoHS compliant



For M3-screws
PU=100 pcs

Option	Dimensions		
	L	D	d
A	5	6	3.2
B	8	6	3.2
C	10	6	3.2
D	12	6	3.2
E	15	6	3.2
G	20	6	3.2
N	6	6	3.2
O	4	6	3.2

Material: Brass, nickel plated

Scale	1:1								
TOLERANCE									
X.	±X								
X.X	±X								
X.XX	±X								
DIM	TOL	③	Add material & plating, add P/N	11.03.2015	A. Plate				
X.°	±X°	②	Modify drawing layout	10.03.2010	Dean				
X.X°	±X°	①	Drawn	20.08.2009	Dean				
Angle	TOL	Id.	Modification	Date	Name				

Customer-No.					
ASSMANN WSW-No.	V6254X				
Drawing-No.	ASS 0918 HS	rev03			
Replace		Sheet			

1	2	3	4	5	6	7
---	---	---	---	---	---	---