

# Customer Information Sheet

DRAWING No.: M80-4C1XXXXFC

SHT 2 OF 2

IF IN DOUBT - ASK

(C)

NOT TO SCALE

THIRD ANGLE PROJECTION

ALL DIMENSIONS IN mm

**SPECIFICATIONS:**

**MATERIAL:**  
 Moulding = GLASS-FILLED PPS, UL94V-0, BLACK  
 CONTACT CLIP = BERYLLIUM COPPER  
 CONTACT SHELL = BRASS  
 IOI-SCREW, COLLAR = STAINLESS STEEL  
 SPRING = MUSIC WIRE

**FINISH:**  
 05 = 0.3µ GOLD CLIP, 0.25-0.3µ GOLD SHELL  
 42 = 0.3µ GOLD CLIP, 3.5-5.0µ 100% TIN OVER NICKEL SHELL

05 & 42 = TIN COATED SPRINGS

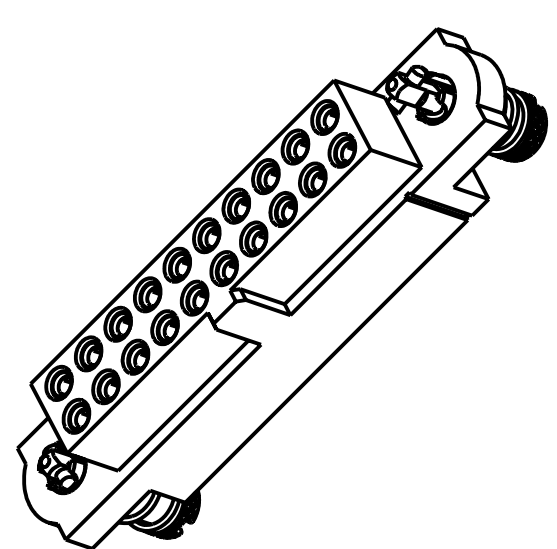
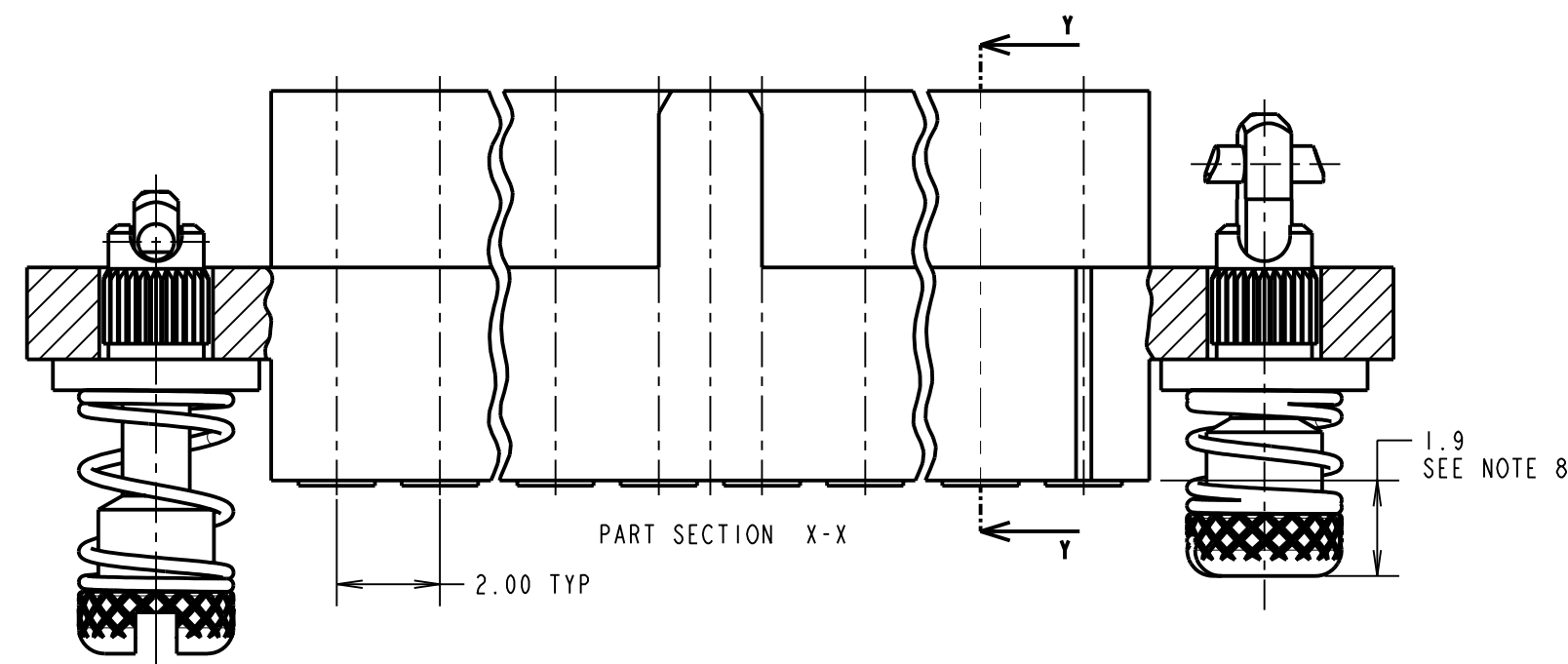
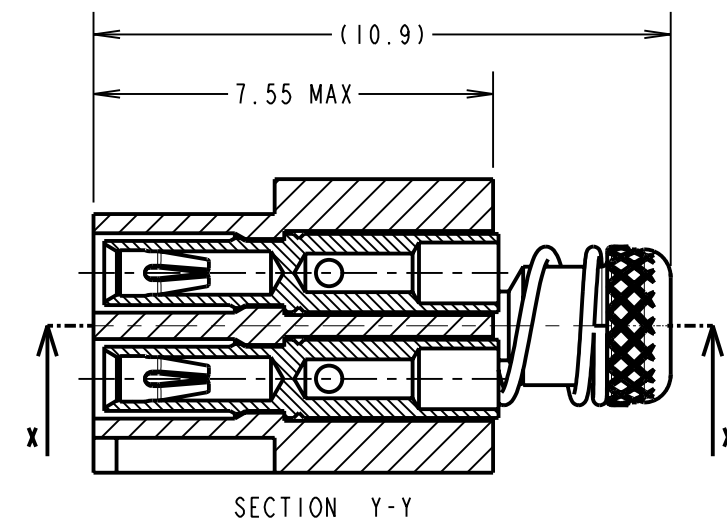
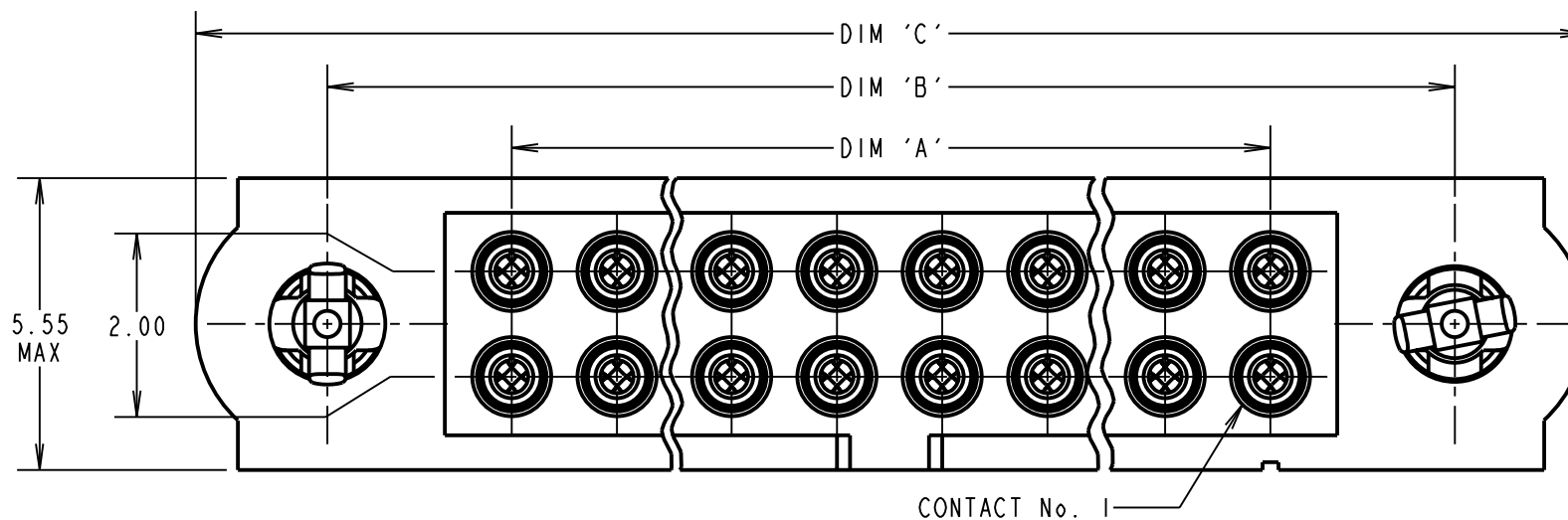
**ELECTRICAL:**  
 CURRENT RATING AT 25°C = 3.0A MAX  
 CURRENT RATING AT 85°C = 2.2A MAX  
 WORKING VOLTAGE = 120V AC/DC  
 VOLTAGE PROOF = 360V AC/DC  
 CONTACT RESISTANCE = 25 mΩ MAX  
 INSULATION RESISTANCE = 100 MΩ MIN

**MECHANICAL:**  
 INSERTION FORCE (∅0.5mm GAUGE) = 2.8N MAX  
 WITHDRAWAL FORCE (∅0.5mm GAUGE) = 0.2N MIN

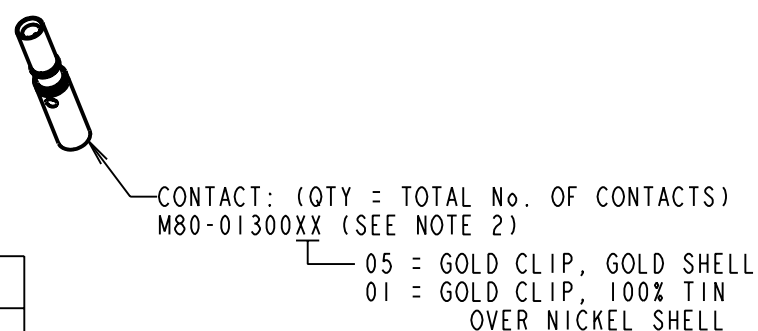
**ENVIRONMENTAL:**  
 TEMPERATURE RANGE = -55°C TO +121°C

**PACKING:**  
 LOOSE

FOR COMPLETE SPECIFICATION, SEE COMPONENT SPECIFICATION C005XX (LATEST ISSUE)



- NOTES:**
- CONNECTOR IS SUPPLIED WITH CONTACTS LOOSE.
  - FOR EXTRA CONTACTS, USE PART No.'s.  
 M80-0130001 FOR M80-4C1XX42FC  
 M80-0130005 FOR M80-4C1XX05FC
  - RECOMMENDED WIRE TYPE = BS 3G 210 TYPE A, PTFE INSULATED 24-28 AWG. MAX INSULATION DIAMETER = ∅1.10mm, STRIP WIRE BY 2.00mm.
  - RECOMMENDED HAND CRIMP TOOL = M22520/2-01 WITH POSITIONER T5747.
  - CONTACT INSERTION & EXTRACTION TOOL = Z80-280
  - INSTRUCTION SHEETS ARE AVAILABLE.
  - SPRING LOAD WHEN SOLID = 2.642N.  
 SPRING RATE = 1.32N/mm.
  - LENGTH WILL BE 1.9mm WHEN IOI-SCREWS ARE ENGAGED WITH RETAINERS IN MATING CONNECTOR.



ORDER CODE: **M80-4C1XXXXFC**

TOTAL No. OF CONTACTS \_\_\_\_\_  
 04 TO 50  
 (EVEN NUMBERS ONLY)

FINISH CODE \_\_\_\_\_  
 05 - GOLD CLIP, GOLD SHELL  
 42 - GOLD CLIP, 100% TIN, OVER NICKEL SHELL

SB	3	16.05.11	11250
NAME	ISS.	DATE	C/NOTE
APPROVED:		S.BENNETT	
CHECKED:		S.FLOWER	
DRAWN:		S.FLOWER	
CUSTOMER REF.:			
ASSEMBLY DRG:			

DIMENSION	CALCULATION
DIM 'A'	TOTAL No. OF CONTACTS - 2
DIM 'B'	TOTAL No. OF CONTACTS + 5
DIM 'C'	TOTAL NUMBER CONTACTS + 10

EXAMPLE ORDER CODE 2: CONNECTOR WITH 20 SIGNAL CONTACTS, GOLD CLIP AND 100% TIN SHELL

**M80-4C12042FC**

DIM 'A' = 18.00mm, DIM 'B' = 25.00mm, DIM 'C' = 30.00mm.

<b>HARWIN</b>		THIS DRAWING AND ANY INFORMATION OR DESCRIPTIVE MATTER SET OUT HEREON ARE CONFIDENTIAL AND COPYRIGHT PROPERTY OF THE HARWIN GROUP AND MUST NOT BE DISCLOSED, LOANED, COPIED OR USED FOR MANUFACTURING, TENDERING OR FOR ANY OTHER PURPOSE WITHOUT THEIR WRITTEN PERMISSION.	TOLERANCES X. = ±1mm X.X = ±0.25mm X.XX = ±0.10mm X.XXX = ±0.01mm	MATERIAL: SEE ABOVE	TITLE: DATAMATE J-TEK FEMALE CRIMP ASSY (SMALL BORE) WITH IOILOK JACKSCREWS
HARWIN USA TEL: 603 893 5376 FAX: 603 893 5396 mis@harwin.com	HARWIN Europe (UK) TEL: 023 9231 4545 FAX: 023 9231 4590 mis@harwin.co.uk		HARWIN Asia TEL: +65 6 779 4909 FAX: +65 6 779 3868 mis@harwin.com.sg	ANGLES = ±5° UNLESS STATED	FINISH: SEE ABOVE S/AREA: mm <sup>2</sup>