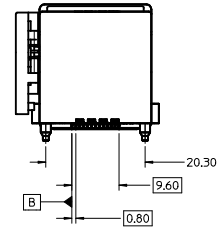
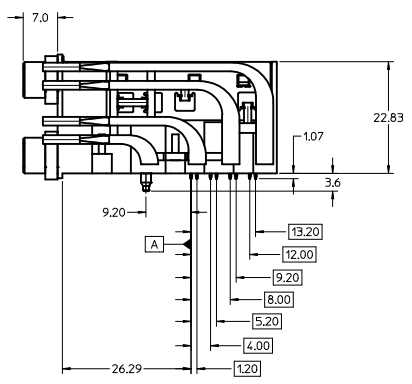
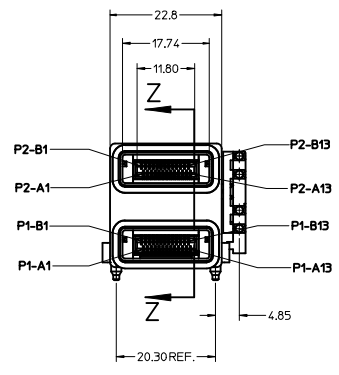
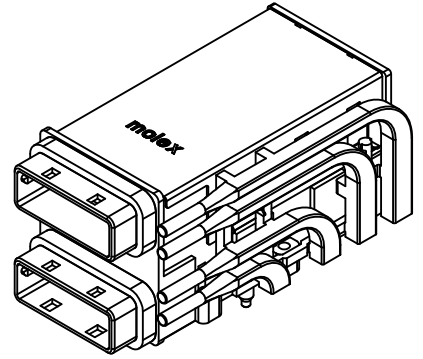
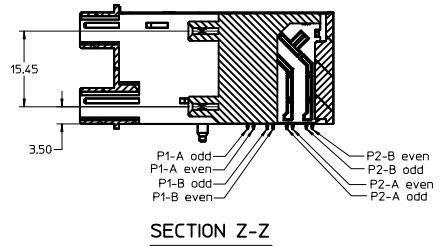
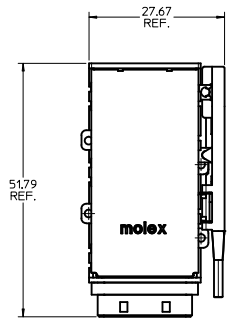
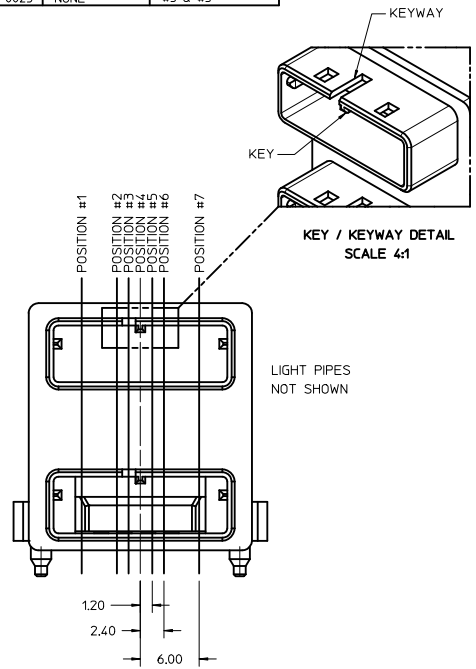
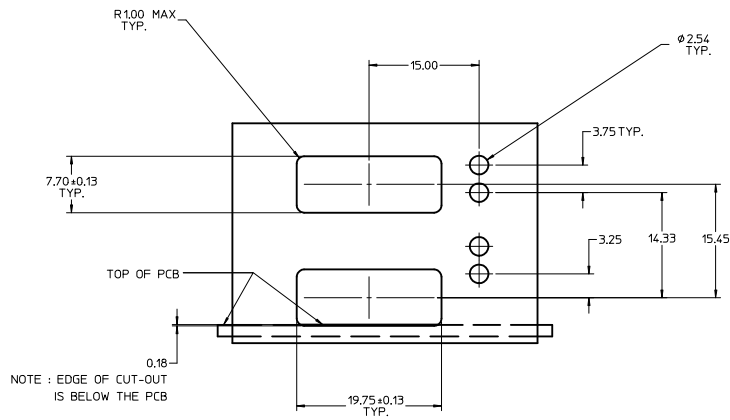


KEY/KEYWAY OPTIONS			
PART NUMBER	KEY POSITION	KEYWAY POSITION	
TIN/LEAD	LEAD-FREE		
75758-0001	75758-0021	NONE	NONE
75758-0002	75758-0022	#3	NONE
75758-0003	75758-0023	#4	NONE
75758-0004	75758-0024	#4	#3 & #5
75758-0005	75758-0025	NONE	#3 & #5



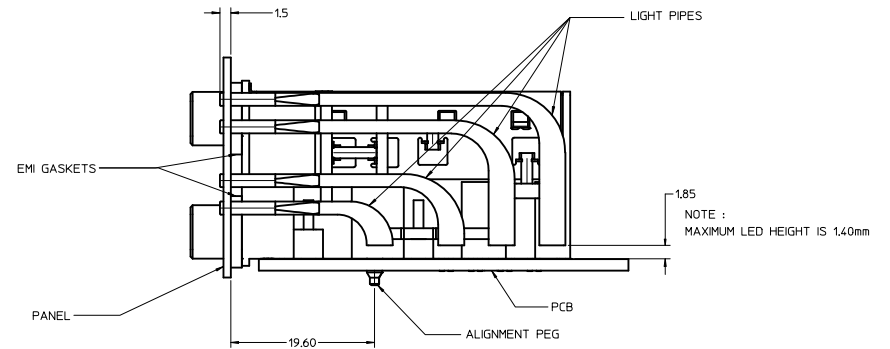
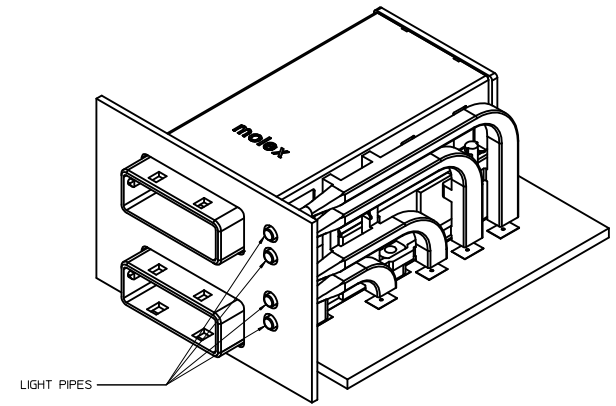
- NOTES :
- MATERIALS :
CONNECTOR HOUSING - HIGH TEMP THERMOPLASTIC,
GLASS-FILLED, UL94V-0,
COLOR - BLACK
EMI HOUSING - DIE CAST ALLOY, NICKEL PLATED FINISH
COVER - STAINLESS STEEL ALLOY
CPI TERMINALS - COPPER ALLOY
EMI GASKETS - CONDUCTIVE POLYMER
LIGHT PIPE - CLEAR THERMOPLASTIC, UL94V-0
 - TERMINAL PLATING :
CONTACT AREA - 0.76µ MIN GOLD OVER 2.54µ MIN NICKEL.
COMPLIANT AREA - 0.76-1.52µ TIN/LEAD (90/10) OVER
2.54µ MIN NICKEL.
 - PACKAGING SPECIFICATION : TRAY PACK IN BOX.
 - REFER TO PS-75586-001 PRODUCT SPEC FOR ALL ELECTRICAL, MECHANICAL AND ENVIRONMENTAL SPECIFICATIONS.
 - THIS CONNECTOR IS DESIGNED TO MATE WITH MOLEX CABLE SERIES 74548.
 - REQUIRES MOUNTING HARDWARE : (4) M2 X 8MM CAP SCREWS OR EQUIV.
MAX. TORQUE 2.3 in/lbs.

ADD LEAD-FREE # EC NO. UCP2012-1003 DRWNS:SRIGIEL CHKD: APPR:RBANKIS 2011/10/13 2011/10/20	QUALITY SYMBOLS ∇=0 ∇=0 ∇=0	GENERAL TOLERANCES (UNLESS SPECIFIED) mm INCH		DIMENSION STYLE MM ONLY	SCALE 2:1	DESIGN UNITS METRIC	THIRD ANGLE PROJECTION
		4 PLACES ± --- ± --- 3 PLACES ± --- ± --- 2 PLACES ± 0.25 ± --- 1 PLACE ± 0.25 ± --- ANGULAR ±1/2°	DRAWN BY J JANTELEZ10 DATE 02/05/2008 CHECKED BY KLANG DATE 02/05/2008 APPROVED BY BANAKIS DATE 02/05/2008	TITLE IPASS STACKED 26/26 CIRCUIT CONNECTOR W/LIGHT PIPES		MATERIAL NO. 75758-000*	
DRAFT WHERE APPLICABLE MUST REMAIN WITHIN DIMENSIONS		THIS DRAWING CONTAINS INFORMATION THAT IS PROPRIETARY TO MOLEX INCORPORATED AND SHOULD NOT BE USED WITHOUT WRITTEN PERMISSION					



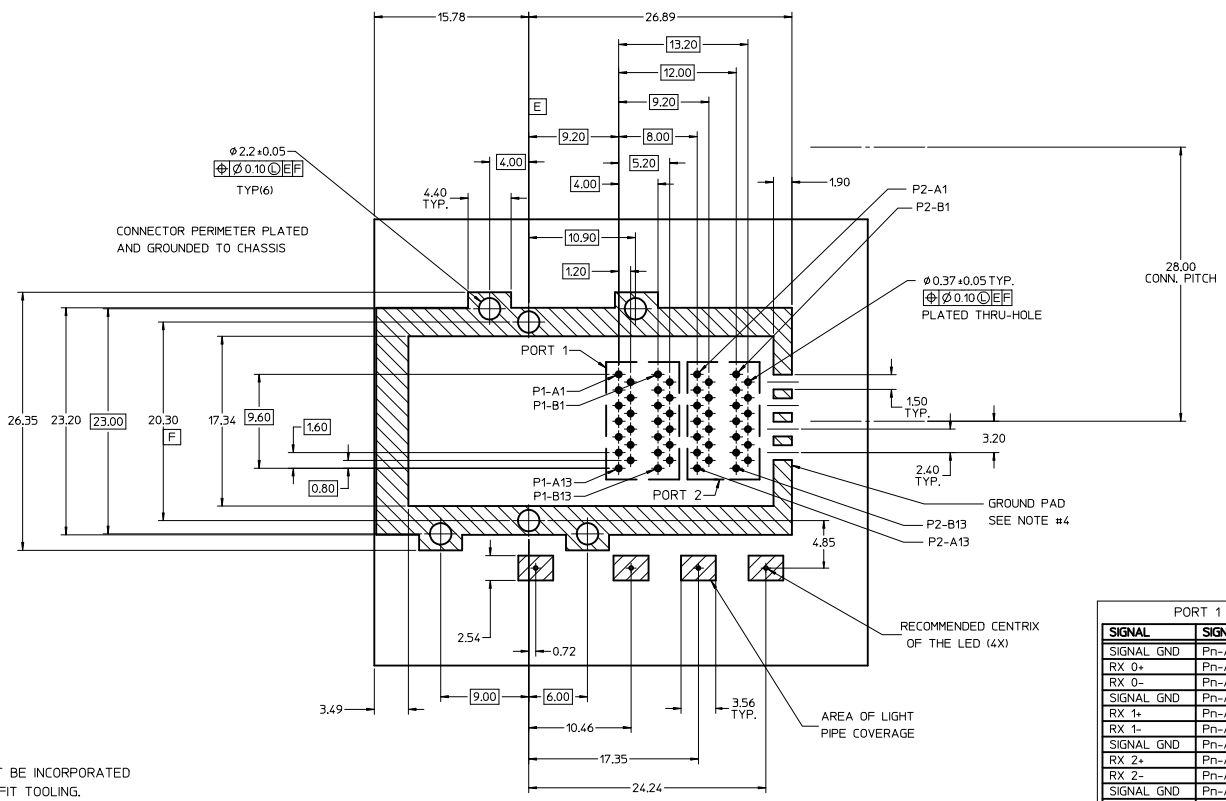
PANEL CUT-OUT

MAXIMUM THICKNESS = 1.50
(NOT SUPPLIED)



ASSEMBLY VIEW

SEE SHEET 1 EIC NO: UCP2012-1063 DRAWN: SROGIEL 2011/10/13 CHKD: APPR: HBANKIS 2011/10/20 REV DESCRIPTION	QUALITY SYMBOLS ▽=0 ▽=0 ▽=0		GENERAL TOLERANCES (UNLESS SPECIFIED) <table border="1"> <thead> <tr> <th></th> <th>mm</th> <th>INCH</th> </tr> </thead> <tbody> <tr> <td>4 PLACES</td> <td>±---</td> <td>±---</td> </tr> <tr> <td>3 PLACES</td> <td>±---</td> <td>±---</td> </tr> <tr> <td>2 PLACES</td> <td>±0.25</td> <td>±---</td> </tr> <tr> <td>1 PLACE</td> <td>±0.25</td> <td>±---</td> </tr> <tr> <td colspan="3">ANGULAR ±1/2°</td> </tr> </tbody> </table>			mm	INCH	4 PLACES	±---	±---	3 PLACES	±---	±---	2 PLACES	±0.25	±---	1 PLACE	±0.25	±---	ANGULAR ±1/2°			DIMENSION STYLE MM ONLY		SCALE 3:1	DESIGN UNITS METRIC	THIRD ANGLE PROJECTION
		mm	INCH																								
	4 PLACES	±---	±---																								
	3 PLACES	±---	±---																								
2 PLACES	±0.25	±---																									
1 PLACE	±0.25	±---																									
ANGULAR ±1/2°																											
DRAFT WHERE APPLICABLE MUST REMAIN WITHIN DIMENSIONS			MATERIAL NO. 75758-000*		DATE 02/05/2008		TITLE IPASS STACKED 26/26 CIRCUIT CONNECTOR W/LIGHT PIPES																				
			SIZE D		DATE 02/05/2008		MOLEX INCORPORATED																				
			DOCUMENT NO. SD-75758-001		SHEET NO. 2 OF 3		THIS DRAWING CONTAINS INFORMATION THAT IS PROPRIETARY TO MOLEX INCORPORATED AND SHOULD NOT BE USED WITHOUT WRITTEN PERMISSION																				



PORT 1		PORT 2	
SIGNAL	SIGNAL PIN	SIGNAL	SIGNAL PIN
SIGNAL GND	Pn-A1	SIGNAL GND	Pn-B1
RX 0+	Pn-A2	TX 0+	Pn-B2
RX 0-	Pn-A3	TX 0-	Pn-B3
SIGNAL GND	Pn-A4	SIGNAL GND	Pn-B4
RX 1+	Pn-A5	TX 1+	Pn-B5
RX 1-	Pn-A6	TX 1-	Pn-B6
SIGNAL GND	Pn-A7	SIGNAL GND	Pn-B7
RX 2+	Pn-A8	TX 2+	Pn-B8
RX 2-	Pn-A9	TX 2-	Pn-B9
SIGNAL GND	Pn-A10	SIGNAL GND	Pn-B10
RX 3+	Pn-A11	TX 3+	Pn-B11
RX 3-	Pn-A12	TX 3-	Pn-B12
SIGNAL GND	Pn-A13	SIGNAL GND	Pn-B13

PIN ASSIGNMENT

NOTES:

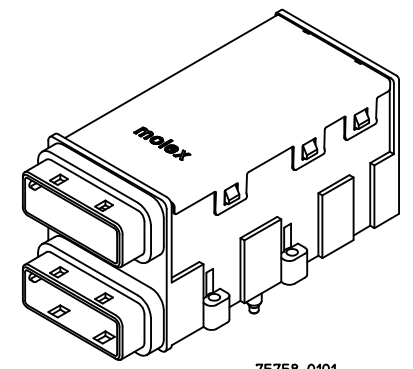
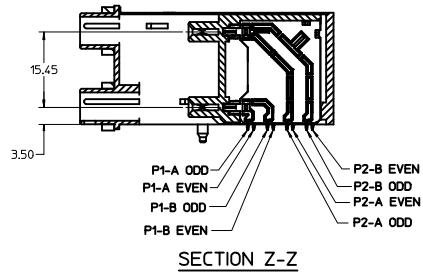
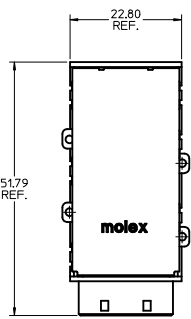
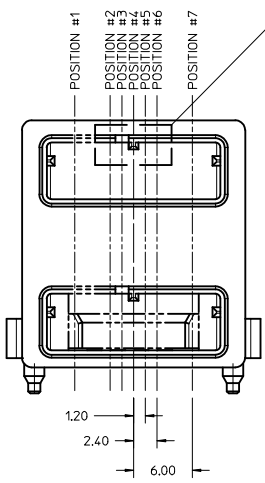
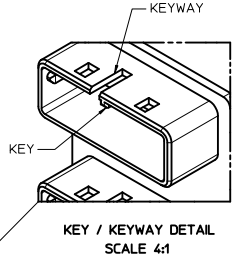
- CROSS-HATCHED AREA MUST BE INCORPORATED IN THE FLAT ROCK PRESS-FIT TOOLING.
- RECOMMENDED LED'S INCLUDE THE FOLLOWING :
DIALIGHT : 597-77x1-5xx SERIES
CHICAGO MINIATURE : 7016 SERIES
KINGBRIGHT : APBL3025 SERIES (BICOLOR)
APL3015 SERIES (SINGLE COLOR)
- LED'S MUST HAVE A MAXIMUM HEIGHT OF 1.4mm AND A MINIMUM HEIGHT OF 0.7mm
- PLATE GROUND PAD WITH EMERSON SILVER OR GOLD.
- RECOMMENDED DRILL SIZE FOR 0.37φ FINISHED PTH IS 0.457φ (#77 DRILL)
- RECOMMENDED ANNULAR RING AROUND 0.37φ FINISHED PTH IS 0.73φ

RECOMMENDED PCB LAYOUT

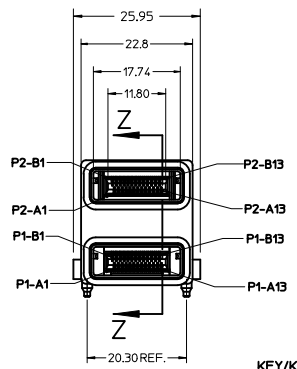
THICKNESS = 1.35mm MIN.

SEE SHEET 1 EEC NO: UCP2012-1063 DRAWNS:BOGIEL CHKD: APPROV:BANAKIS	DATE: 2011/10/13 DESCRIPTION:	QUALITY SYMBOLS ∇=0 ∇=0 ∇=0	GENERAL TOLERANCES (UNLESS SPECIFIED) mm INCH 4 PLACES ±--- ±--- 3 PLACES ±--- ±--- 2 PLACES ±0.25 ±--- 1 PLACE ±0.25 ±--- ANGULAR ±1/2°	DIMENSION STYLE MM ONLY	SCALE 2:1	DESIGN UNITS METRIC	THIRD ANGLE PROJECTION	
	DRAWN BY: JJANTELEZ10 CHECKED BY: KLANG APPROVED BY: BANAKIS	DATE: 02/05/2008 DATE: 02/05/2008 DATE: 02/05/2008	TITLE IPASS STACKED 26/26 CIRCUIT CONNECTOR W/LIGHT PIPES					
	MATERIAL NO: 75758-000*	DOCUMENT NO: SD-75758-001	MOLEX INCORPORATED					
	SIZE: D	SHEET NO: 3 OF 3	THIS DRAWING CONTAINS INFORMATION THAT IS PROPRIETARY TO MOLEX INCORPORATED AND SHOULD NOT BE USED WITHOUT WRITTEN PERMISSION					

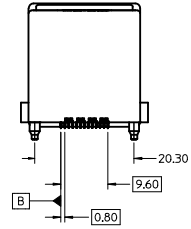
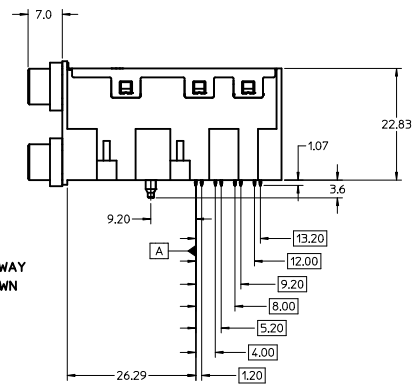
KEYING & PLATING OPTIONS			
TIN/LEAD PART NUMBER	LEAD FREE PART NUMBER	KEY POSITION	KEYWAY POSITION
75758-0101	75758-0201	NONE	NONE
75758-0102	75758-0202	#3	NONE
75758-0103	75758-0203	#4	NONE
75758-0104	75758-0204	#4	#3 & #5
75758-0105	75758-0205	NONE	#3 & #5
75758-0106	75758-0206	#4	#3
75758-0107	75758-0207	NONE	#3
75758-0108	75758-0208	#4	#5
75758-0109	75758-0209	NONE	#5
75758-0110	75758-0210	#2 & #4	NONE
75758-0111	75758-0211	#4 & #6	NONE



75758-0101
SHOWN FOR REF. ONLY

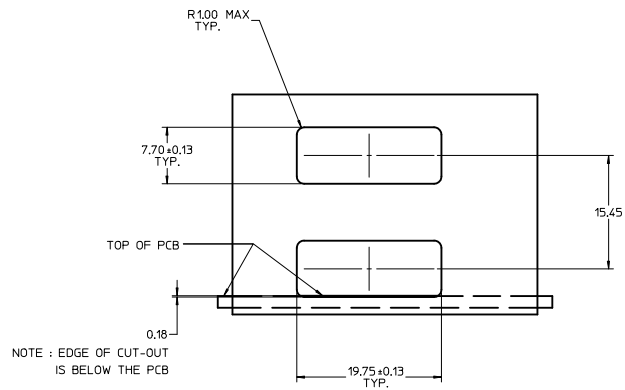


KEY/KEYWAY NOT SHOWN



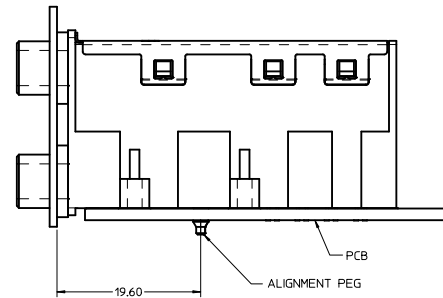
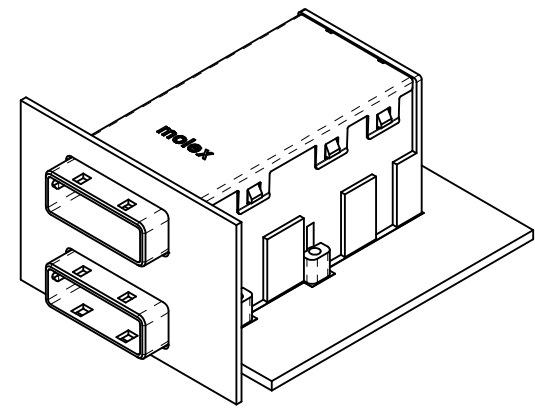
- NOTES :
- MATERIALS :
 - CONNECTOR HOUSING - HIGH TEMP THERMOPLASTIC, GLASS-FILLED, UL94V-0, COLOR - BLACK
 - EMI HOUSING - DIE CAST ALLOY, FINISH: NICKEL
 - COVER - STAINLESS STEEL ALLOY
 - CPI TERMINALS - COPPER ALLOY
 - EMI GASKETS - CONDUCTIVE POLYMER
 - TERMINAL PLATING : SEE CHART
 - OPTION 1) TIN/LEAD - CONTACT AREA - 0.7μ MIN GOLD OVER 2.5μ MIN NICKEL. COMPLIANT AREA - 0.7-1.54μm TIN/LEAD (90/10) OVER 1.24μm MIN NICKEL.
 - OPTION 2) LEAD FREE - CONTACT AREA - 0.7μ MIN GOLD OVER 2.5μ MIN NICKEL. COMPLIANT AREA - 0.7-1.54μm TIN (TIN ONLY) OVER 1.24μm MIN NICKEL.
 - PACKAGING SPECIFICATION : TRAY PACK (TBD)
 - REFER TO PS-75586-001 PRODUCT SPEC FOR ALL ELECTRICAL, MECHANICAL AND ENVIRONMENTAL SPECIFICATIONS.
 - THIS CONNECTOR IS DESIGNED TO MATE WITH MOLEX CABLE SERIES 74548.
 - REQUIRES MOUNTING HARDWARE : (4) M2 X 8MM CAP SCREWS OR EQUIV. MAX. TORQUE 2.3 in/lbs.
 - PRODUCT IS RoHS COMPLIANT.

ADD LEAD-FREE EC NO: UCP2012-1063 DRWNSB04LEL CHKD: APPROVED: MBANAKIS DATE: 2011/09/14 2011/10/20	QUALITY SYMBOLS ∇=0 ∇=0 ∇=0	GENERAL TOLERANCES (UNLESS SPECIFIED) mm INCH		DIMENSION STYLE MM ONLY	SCALE 2:1	DESIGN UNITS METRIC	THIRD ANGLE PROJECTION
		4 PLACES ± --- ± --- 3 PLACES ± --- ± --- 2 PLACES ± 0.25 ± --- 1 PLACE ± 0.25 ± --- ANGULAR ±1/2°	DRAWN BY JANTELEZ10	DATE 01/23/08	TITLE IPASS STACKED 26/26 CIRCUIT CONNECTOR	MATERIAL NO. 75758-010*	DOCUMENT NO. SD-75758-010
DRAFT WHERE APPLICABLE MUST REMAIN WITHIN DIMENSIONS							
THIS DRAWING CONTAINS INFORMATION THAT IS PROPRIETARY TO MOLEX INCORPORATED AND SHOULD NOT BE USED WITHOUT WRITTEN PERMISSION							



PANEL CUT-OUT

MAXIMUM THICKNESS = 1.50
(NOT SUPPLIED)



ASSEMBLY VIEW

SEE SHEET 1 EC NO: UCP2012-1063 DORWNSB01EL 2011/09/14 CHKD: APPR:MBANKIS 2011/10/20	QUALITY SYMBOLS	GENERAL TOLERANCES (UNLESS SPECIFIED)	DIMENSION STYLE	SCALE	DESIGN UNITS	THIRD ANGLE PROJECTION	
	▽=0	mm INCH	MM ONLY	3:1	METRIC		
	▽=0	4 PLACES ±--- ±---	DRAWN BY	DATE	TITLE		
	▽=0	3 PLACES ±--- ±---	JJANTELEZ10 01/23/08	01/23/08	IPASS STACKED 26/26 CIRCUIT CONNECTOR		
	2 PLACES ±0.25 ±---	1 PLACE ±0.25 ±---	CHECKED BY	DATE	MOLEX INCORPORATED		
	ANGULAR ±1/2°		KLANG 01/23/08	DATE	MOLEX INCORPORATED		
	DRAFT WHERE APPLICABLE MUST REMAIN WITHIN DIMENSIONS		APPROVED BY	DATE	MOLEX INCORPORATED		
			MBANKIS 01/23/08	DATE	MOLEX INCORPORATED		
			MATERIAL NO.	DOCUMENT NO.	SHEET NO.		
			75758-010*	SD-75758-010	2 OF 3		
			THIS DRAWING CONTAINS INFORMATION THAT IS PROPRIETARY TO MOLEX INCORPORATED AND SHOULD NOT BE USED WITHOUT WRITTEN PERMISSION				

