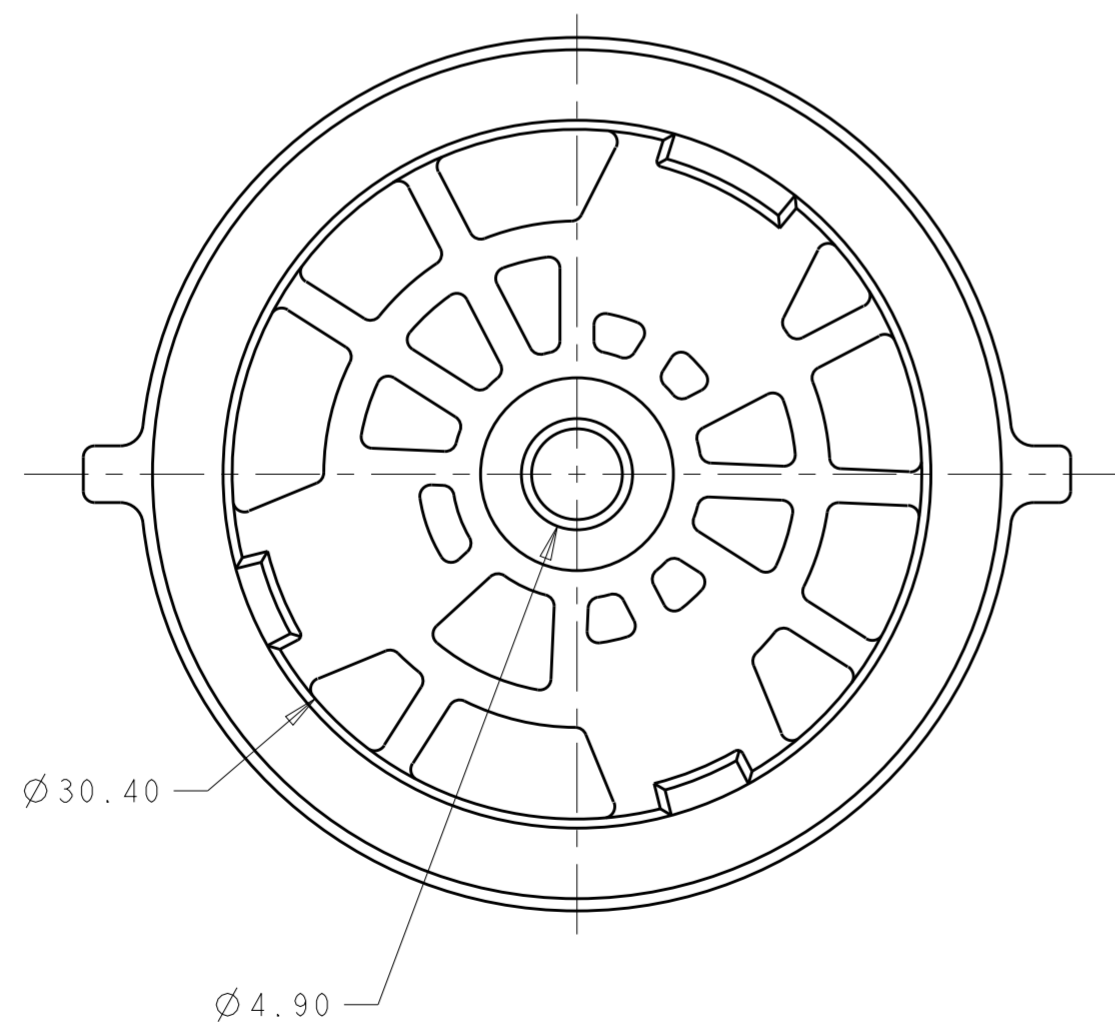
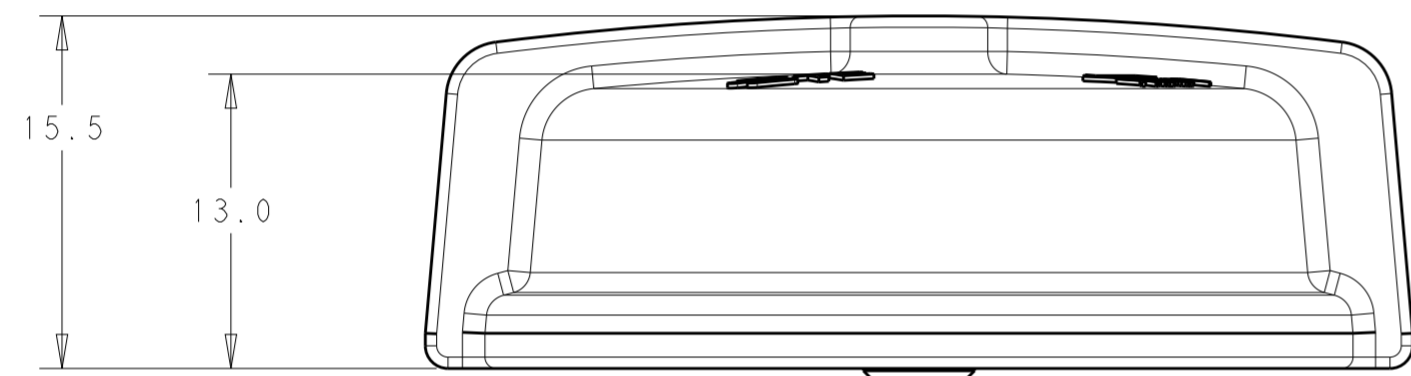
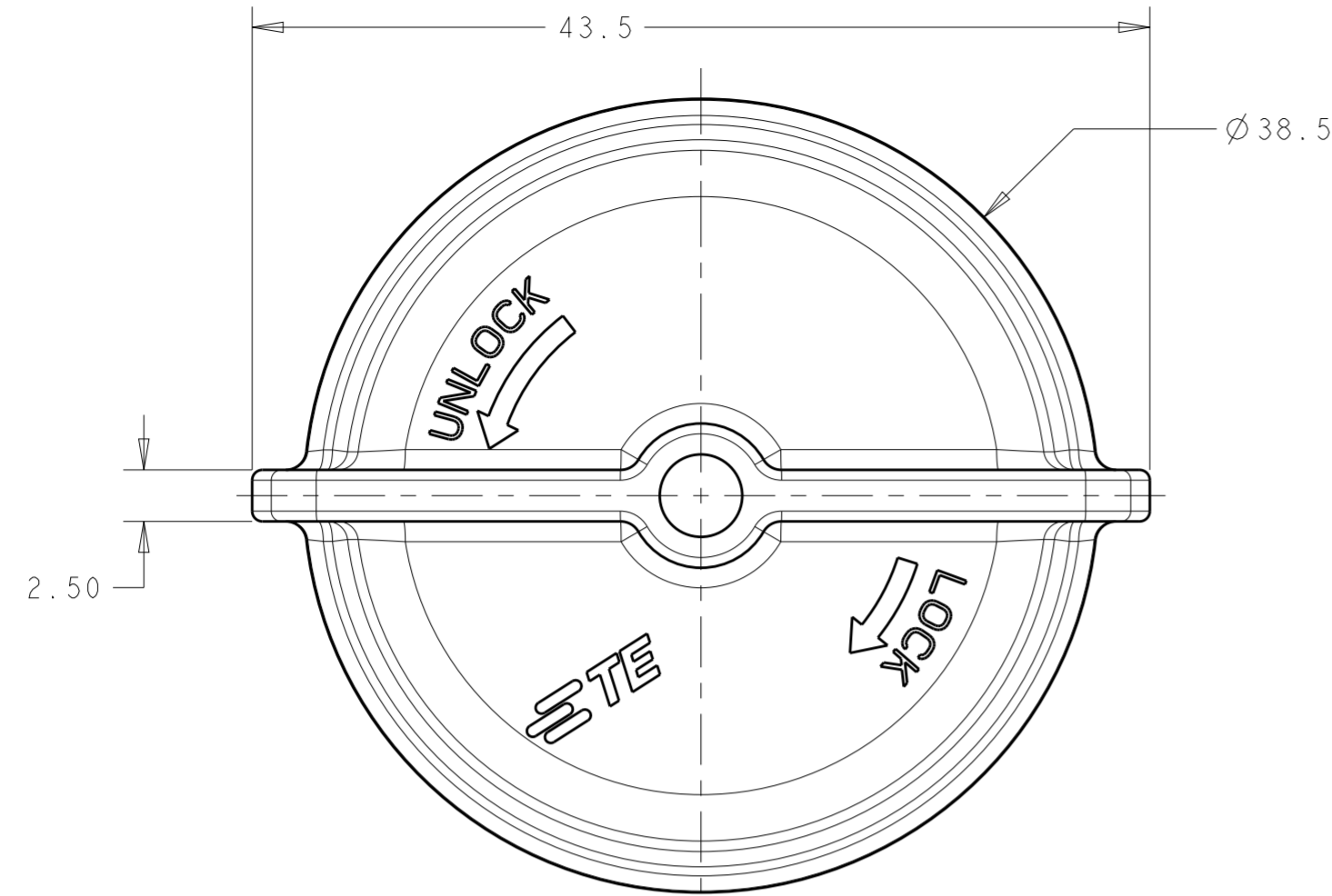


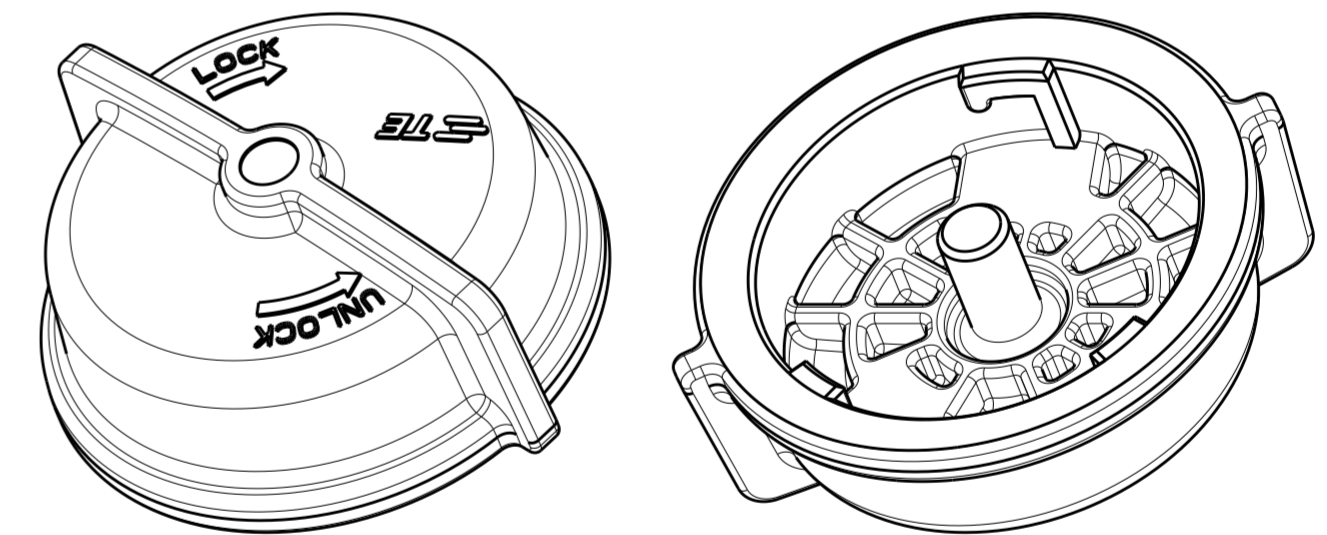
THIS DRAWING IS UNPUBLISHED. RELEASED FOR PUBLICATION  
 © COPYRIGHT copyright.d8te- ALL RIGHTS RESERVED.

REVISIONS				
P	LTR	DESCRIPTION	DATE	APVD
5		REMOVE PRELIM NOTE	10AUG2017	MM MM



NOTES:

- 1 MATERIALS AND FINISH:  
-SEALING CAP: PBT, COLOR: SEE TABLE
- 2. MUST COMPLY WITH DIRECTIVE 2002/95/EC (ROHS)



LIGHT GRAY	2213795-2
DARK GRAY	2213795-1
COLOR	PART NO.

THIS DRAWING IS A CONTROLLED DOCUMENT.		DWN C. DAILY 04APR2016	<b>STE</b> TE Connectivity	
		CHK E. HOWARD 04APR2016		
DIMENSIONS:		APVD -	NAME SEALING CAP, LUMAWISE ENDURANCE S RECEPTACLE	
mm	TOLERANCES UNLESS OTHERWISE SPECIFIED:	PRODUCT SPEC 108-133073	SIZE A2	
	0 PLC ±	APPLICATION SPEC 114-133074	CAGE CODE -	DRAWING NO. C-2213795
	1 PLC ±0.2	WEIGHT -	RESTRICTED TO -	
	2 PLC ±0.15	CUSTOMER DRAWING	SCALE 5:1	SHEET 1 OF 1
	3 PLC ±		REV 5	
	4 PLC ±			
	ANGLES ±2			
	FINISH			