

5

4

3

2

1

Description: D-Sub Ratchet Crimp tool, 18-22 and 24-30 Gauge

Part No: 24-8645P

Crimp Tool: N/A

Impedance: N/A

Frequency Range: N/A

RoHS Compliance: N/A

Technical Detail: N/A

LENGTH: 205MM

WEIGHT: 0.39KG



DRAWING NO.
24-8645P-CUST

REVISIONS

01 OFFICIAL RELEASE

12-19-12	G	Z	M	M	L	ECO-12-0335
----------	---	---	---	---	---	-------------

D

D

C

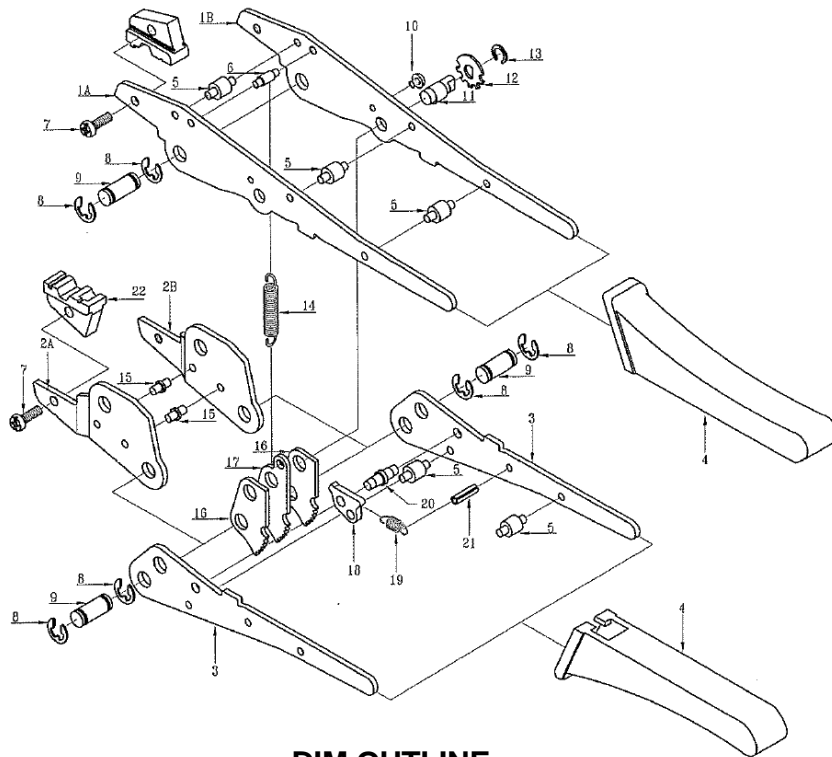
C

B

B

A

A



DIM OUTLINE

NO	DESCRIPTION	CODE	QTY.
1A/B	MAIN FRAME		1
2A/B	LOWER JAW		1
3	LOWER HANDLE		2
4	PLASTIC GRIP		2
5	SPACER		5
6	SPACER		1
7	M4x0.7 SCREW		2
8	CIRCLIP		6
9	PIN		3
10	M3x0.5 SCREW		1
11	ECCENTRIC SHAFT		1
12	ADJUSTING PLATE		1
13	CIRCLIP		1
14	MAIN SPRING		1
15	RIVET		2
16	RATCHET GEAR		2
17	RATCHET GEAR		1
18	RATCHET PAWL		1
19	SPRING		1
20	PIN		1
21	SPRING PIN		1
22	DIE		2

TOLERANCE UNLESS OTHERWISE SPECIFIED		DRAWN BY GARY.ZHG	DATE 12-19-12
DECIMALS	mm	CHECKED BY MONICA.W	DATE 12-19-12
X.X	+ 0.2	APPROVED BY MA LIN	DATE 12-19-12
X.XX	+ 0.1		
X.XXX	+0.08		
ANGLES	+ 0.5°	U/M	mm

THIS DRAWING WAS PRODUCED BY COMPUTER,
DO NOT SCALE DRAWING OR UPDATE MANUALLY.

CUSTOMER COPY



TITLE
D-Sub Ratchet Crimp tool,
18-22 and 24-30 Gauge

SHEET 1 OF 1	DRAWING NO. 24-8645P-CUST	SIZE A
-----------------	------------------------------	-----------

5

4

3

2

1