

THIS DRAWING IS UNPUBLISHED. RELEASED FOR PUBLICATION
 © COPYRIGHT - By - ALL RIGHTS RESERVED.

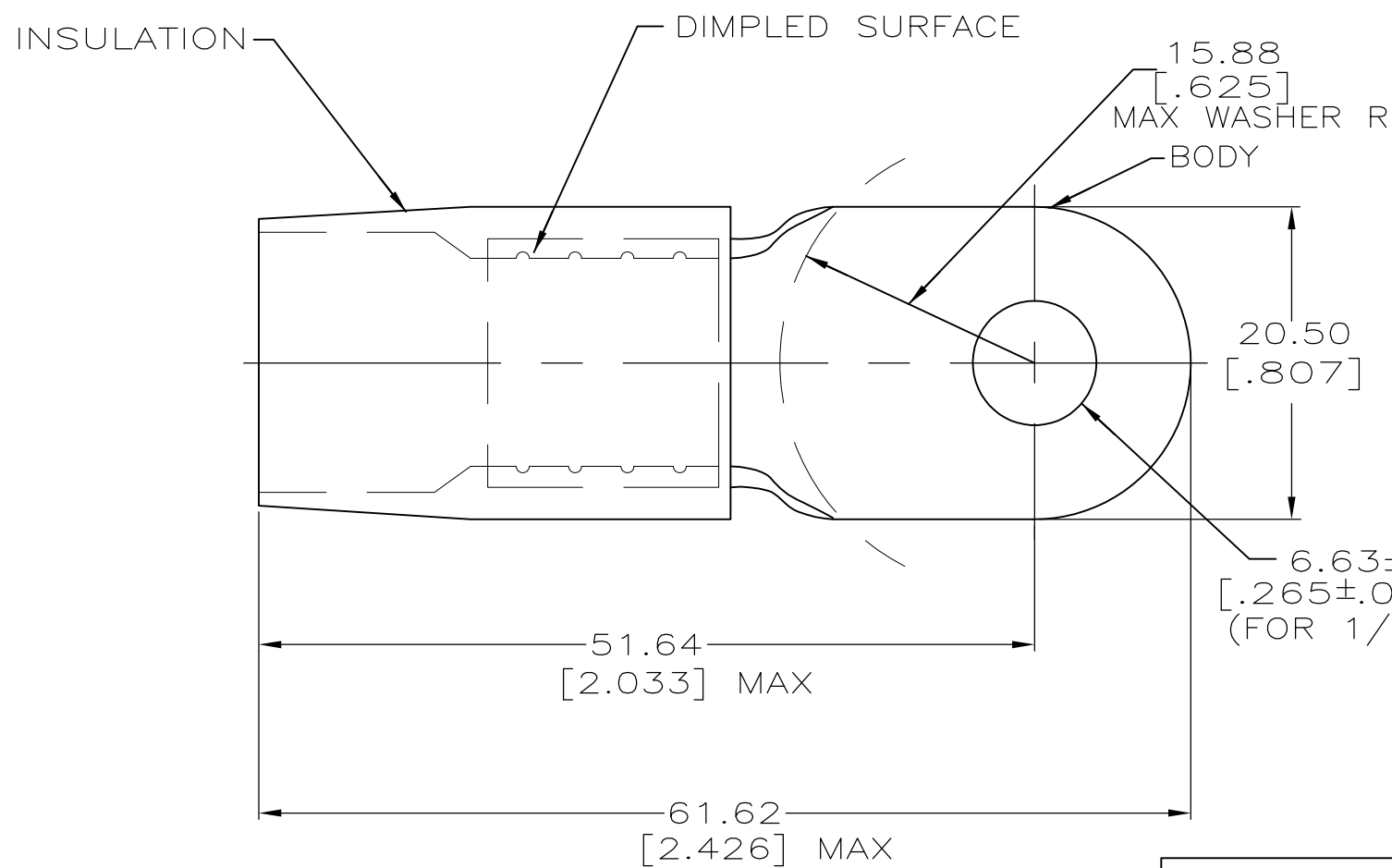
| LOC | DIST | REVISIONS | | | |
|-----|------|-------------|---------------------------|---------|--------|
| P | LTR | DESCRIPTION | DATE | DWN | APVD |
| G | 14 | G1 | REVISED PER ECO-11-004917 | 11MAR11 | RK HMR |

AMP
WIRE RANGE

1/0 AWG
STRANDED

METRIC

DIMENSIONS LISTED IN mm [INCHES]



1. TONGUE MATERIAL THK 1.78±0.08 [.070±.003]
FOR 14.73 [.580] MAX WIRE INS DIA

| | | | |
|------------------------|-----|--------------|---------|
| MS25036-132 CLASS2 | - | LOOSE PC | 324056 |
| MILITARY P/N AND CLASS | QTY | PACKAGE TYPE | PART NO |

| | | |
|--|--|---|
| AMP INCORPORATED CUSTOMER SERVICE SYSTEMS | | MAX RECOMMENDED OPERATING TEMPERATURE: 105° c |
| FOR ADDITIONAL PRODUCT INFORMATION OR COPIES OF DRAWINGS AND TECHNICAL DOCUMENTS | PRODUCT INFORMATION CENTER 1-800-522-6752 | VOLTAGE RATING: - |
| FOR APPLICATION TOOLING INFORMATION | TOOLING ASSISTANCE CENTER 1-800-722-1111 | CIRCULAR MIL AREA: 42.4-60.6mm² [83,700-119,500] STRANDED |
| FOR ORDER ENTRY | 1-800-526-5142 | THIS DRAWING IS A CONTROLLED DOCUMENT FOR AMP INCORPORATED. IT IS SUBJECT TO CHANGE AND THE CONTROLLING ENGINEERING ORGANIZATION SHOULD BE CONTACTED FOR THE LATEST REVISION. |

| | |
|--|--|
| THIS DRAWING IS A CONTROLLED DOCUMENT. | |
| DIMENSIONS: MM[INCHES] | TOLERANCES UNLESS OTHERWISE SPECIFIED: |
| | 0 PLC ± - 1 PLC ± - 2 PLC ± 0.20[.008] 3 PLC ± - 4 PLC ± - ANGLES ± - |
| MATERIAL COPPER PER ASTM B-152 NYLON (MIL-M-20693) TYPE 1 COLOR: BLUE | FINISH TIN PLATE PER MIL-T-10727 |

| | | | |
|--------------------------------|----------------------------|---|--------------------|
| DWN S.S. GOULDEN 6-18-93 | STE TE Connectivity | NAME TERMINAL, RING TONGUE, TERMINYL WIRE SIZE: 1/0 AWG | |
| CHK R. HERSEY 6-18-93 | | RESTRICTED TO | |
| APVD B. BARE 6-18-93 | | SIZE A3 | CAGE CODE 00779 |
| PRODUCT SPEC | | DRAWING NO C-324056 | REVISION G1 |
| APPLICATION SPEC | WEIGHT - | SCALE NTS | |
| CUSTOMER DRAWING | SHEET 1 OF 1 | | |