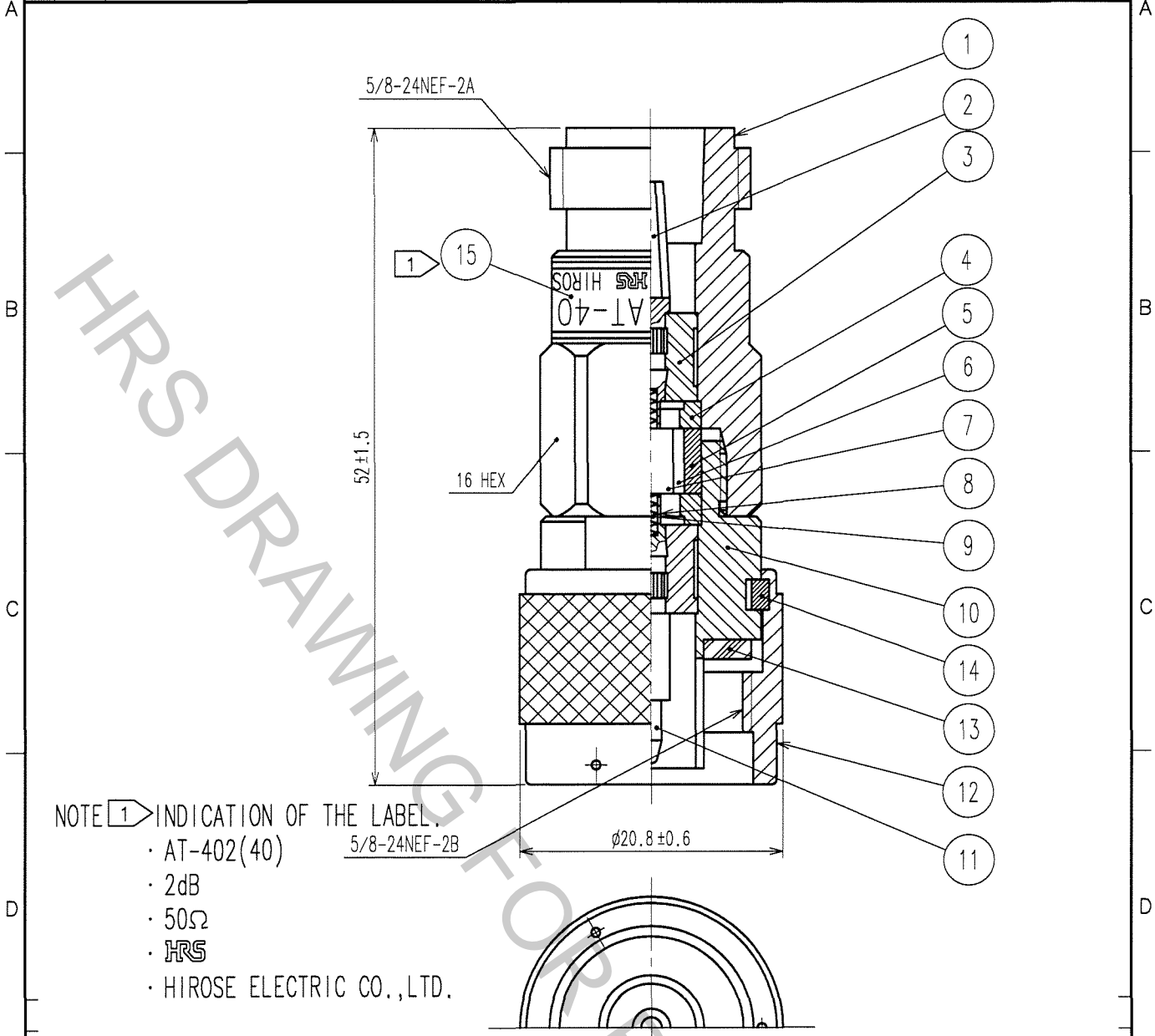


1		2		3		4			
COUNT	DESCRIPTION OF REVISIONS	BY	CHKD	DATE	COUNT	DESCRIPTION OF REVISIONS	BY	CHKD	DATE
△					△				
△					△				
△					△				



NOTE ① INDICATION OF THE LABEL.
 • AT-402(40)
 • 2dB
 • 50Ω
 • HRS
 • HIROSE ELECTRIC CO.,LTD.

8	BERYLLIUM COPPER	GOLD PLATING			
7	ALUMINA		1 5		LABEL
6	BERYLLIUM COPPER	GOLD PLATING	1 4	PHOSPHOR BRONZE	NICKEL PLATING
5	BRASS	NICKEL PLATING	1 3	SILICONE RUBBER	
4	BRASS	NICKEL PLATING	1 2	BRASS	NICKEL PLATING
3	PTFE		1 1	BRASS	GOLD PLATING
2	BERYLLIUM COPPER	GOLD PLATING	1 0	BRASS	NICKEL PLATING
1	BRASS	NICKEL PLATING	9	PIANO WIRE	
NO.	MATERIAL	FINISH, REMARKS	NO.	MATERIAL	FINISH, REMARKS

CODE NO. (OLD) CL		DRAWN <i>R. Sato</i> 06.09.26	DESIGNED <i>R. Kano</i> 06.09.26	CHECKED <i>R. Kano</i> 06.09.26	APPROVED <i>H. Hanomura</i> 06.09.26	RELEASED
DRAWING NO. EDC4-030262-01		PART NO. AT-402(40)				
SCALE 2 : 1		CODE NO. CL354-0082-1-40				
UNITS mm		HRS HIROSE ELECTRIC CO.,LTD.				

TO
RFD