

Customer Information Sheet

DRAWING No.: KF-470XXXX

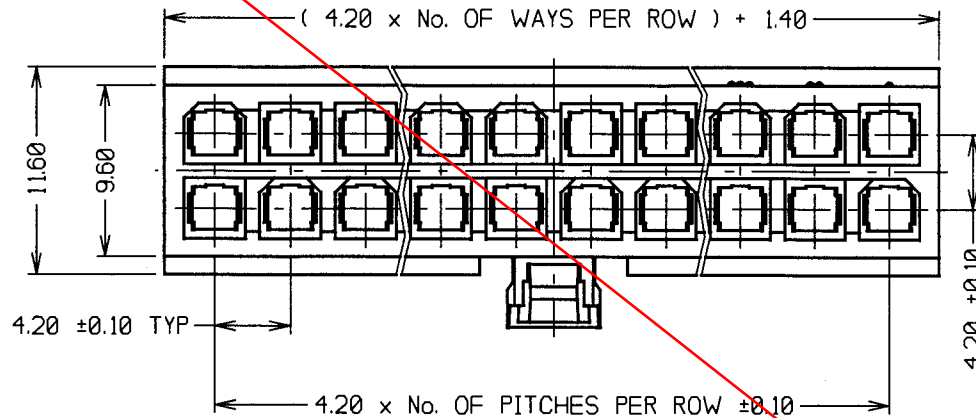
SHEET 2 OF 2 IF IN DOUBT - ASK

©

NOT TO SCALE

THIRD ANGLE PROJECTION

ALL DIMENSIONS IN mm



SPECIFICATIONS:

MATERIALS:

MOULDINGS:

KF-470XX98 - NYLON 66 UL94V-2 BLACK

KF-470XX00 - NYLON 66 UL94V-2 NATURAL

FINISH: CLEAN

No. OF CONTACTS	2-3	4-6	7-10	11-24
CURRENT RATING	9 AMPS	8 AMPS	7 AMPS	6 AMPS

VOLTAGE RATING - 600V

DIELECTRIC WITHSTANDING - 1500V AC

CONTACT RESISTANCE - 10 MILLIOHMS MAX

INSULATION RESISTANCE - 1000 MEGOHMS MIN

MECHANICAL:

CONTACT INSERTION FORCE - 14.7N MAX

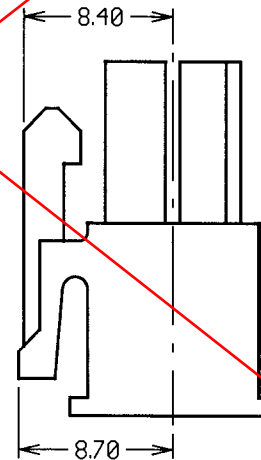
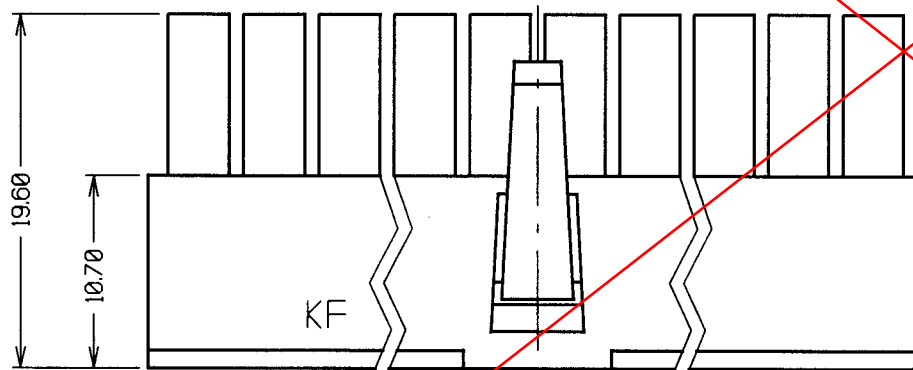
CONTACT RETENTION FORCE - 29.4N MIN

DURABILITY - 30 OPERATIONS

ENVIRONMENTAL:

TEMPERATURE RANGE - -40°C TO +105°C

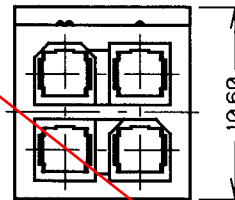
FOR COMPONENT SPECIFICATION, SEE COMPONENT SPECIFICATION C033XX (LATEST ISSUE).



ORDER CODE:
KF-470XXXX

No. OF WAYS PER ROW

COLOUR: _____
 98 = BLACK
 00 = NATURAL



5	29.10.00	5544
ISS.	DATE	C/NOTE
APPROVED:	<i>[Signature]</i>	
CHECKED:	<i>[Signature]</i>	
DRAWN:	J. KEIR	
CUSTOMER REF.:		
ASSEMBLY DRG.:		

NOTES:

1. ALL TOLERANCES TO BE ± 0.35 UNLESS OTHERWISE STATED.
2. FOR USE WITH REELED FEMALE CRIMPS KF-460/461/4620006 AND LOOSE FEMALE CRIMPS KF-465/466/4670006. SPECIFICATIONS STATED ABOVE APPLY WHEN HOUSING IS USED WITH THESE CONTACTS.

OBSOLETE

KF-47001XX AND
 KF-47002XX:
 NO LATCHING
 FEATURE

HARWIN

HARWIN INC
 U.S.A.

TEL: (812) 285 0055
 FAX: (812) 285 0056

HARWIN PLC
 U.K.

TEL: 023 9231 4545
 FAX: 023 9231 4590

HARWIN PTE
 SINGAPORE

TEL: 65 7794909
 FAX: 65 7793868

THIS DRAWING AND ANY INFORMATION OR DESCRIPTIVE MATTER SET OUT HEREON ARE CONFIDENTIAL AND COPYRIGHT PROPERTY OF THE HARWIN GROUP AND MUST NOT BE DISCLOSED, LOANED, COPIED OR USED FOR MANUFACTURING, TENDERING OR FOR ANY OTHER PURPOSE WITHOUT THEIR WRITTEN PERMISSION

TOLERANCES

X. - $\pm 1\text{mm}$
 X.X - $\pm 0.25\text{mm}$
 X.XX - $\pm 0.10\text{mm}$
 X.XXX - $\pm 0.01\text{mm}$
 ANGLES - $\pm 1^\circ$
 UNLESS STATED

MATERIAL:

SEE ABOVE

FINISH:

CLEAN

S/AREA:

mm²

TITLE:

POWERFIT®
 4.2mm PITCH DIL FEMALE
 LATCHED CRIMP HOUSING

DRAWING NUMBER:

KF-470XXXX

SHT
 2 OF 2

Customer Information Sheet

DRAWING No.: KF-470XX00

SHEET 2 OF 2

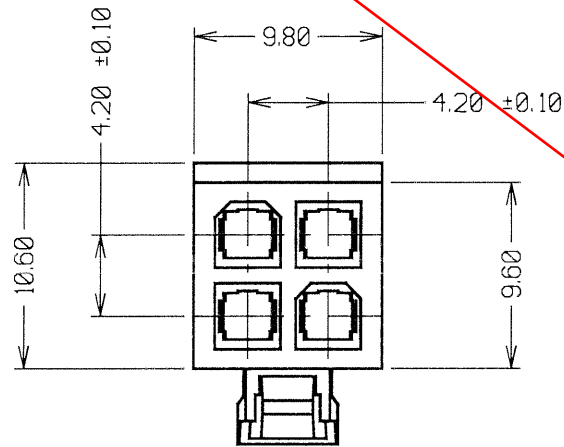
IF IN DOUBT - ASK

(C)

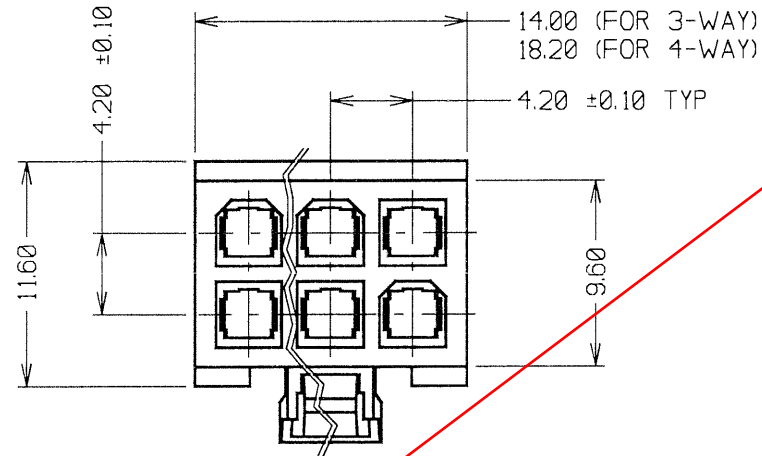
NOT TO SCALE

THIRD ANGLE PROJECTION

ALL DIMENSIONS IN mm

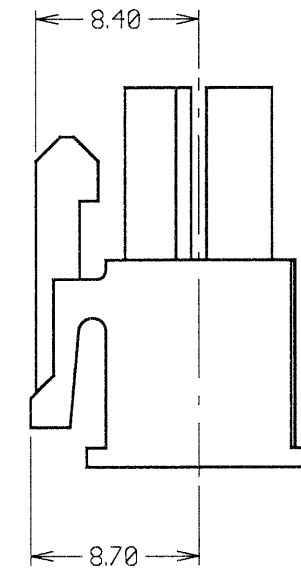
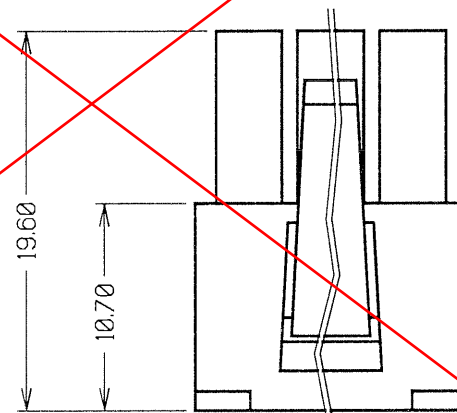
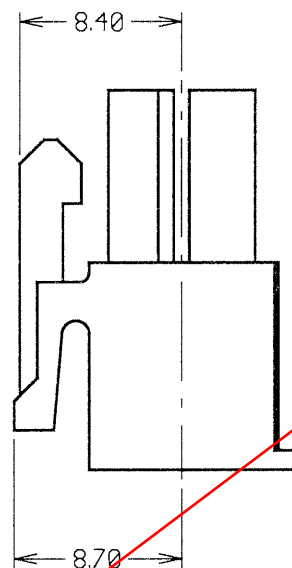
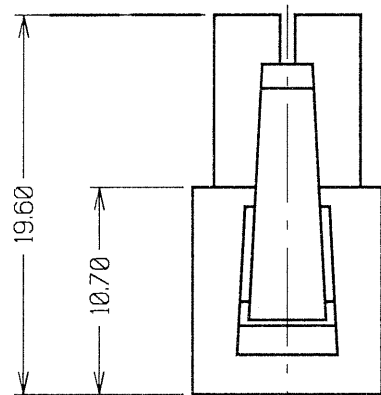


KF-4700200



KF-4700300 & KF-4700400

OBSOLETE



SPECIFICATIONS:

MATERIALS:
 MOULDING = NYLON 66, UL94V-2, NATURAL

ELECTRICAL:
 CURRENT RATING = 8 AMPS
 VOLTAGE RATING = 600V
 DIELECTRIC WITHSTANDING = 1500V AC
 CONTACT RESISTANCE = 10 MILLIOHMS MAX
 INSULATION RESISTANCE = 1000 MEGOHMS MIN

MECHANICAL:
 CONTACT INSERTION FORCE = 14.7N MAX
 CONTACT RETENTION FORCE = 29.4N MIN
 DURABILITY = 30 OPERATIONS

ENVIRONMENTAL:
 TEMPERATURE RANGE = -40°C TO +105°C
 FOR COMPONENT SPECIFICATION SEE COMPONENT SPECIFICATION C033XX (LATEST ISSUE).

NOTES:

- ALL TOLERANCES TO BE ±0.35 UNLESS OTHERWISE STATED.
- FOR USE WITH REELED FEMALE CRIMPS KF-4600046 & LOOSE FEMALE CRIMPS KF-4660046. SPECIFICATIONS STATED TO THE LEFT APPLY WHEN HOUSING IS USED WITH THESE CONTACTS.

ORDER CODE:
KF-470XX00

No. OF WAYS PER ROW:
 02, 03 & 04

COLOUR:
 00 = NATURAL

JMB	6	28.06.06	9302
NAME	ISS.	DATE	C/NOTE
APPROVED: <i>J.B.</i>			
CHECKED: <i>M.P.</i>			
DRAWN: J. KEIR			
CUSTOMER REF.:			
ASSEMBLY DRG:			

HARWIN			THIS DRAWING AND ANY INFORMATION OR DESCRIPTIVE MATTER SET OUT HEREON ARE CONFIDENTIAL AND COPYRIGHT PROPERTY OF THE HARWIN GROUP AND MUST NOT BE DISCLOSED, LOANED, COPIED OR USED FOR MANUFACTURING, TENDERING OR FOR ANY OTHER PURPOSE WITHOUT THEIR WRITTEN PERMISSION.	TOLERANCES X. = ±1mm X.X = ±0.25mm X.XX = ±0.10mm X.XXX = ±0.01mm ANGLES = ±5° UNLESS STATED	MATERIAL: NYLON 66, UL94V-2, NATURAL	TITLE: POWERFIT® 4.2mm PITCH DIL FEMALE LATCHED CRIMP HOUSING
HARWIN USA TEL: 603 893 5376 FAX: 603 893 5396 mis@harwin.com	HARWIN Europe (UK) TEL: 023 9231 4545 FAX: 023 9231 4590 mis@harwin.co.uk	HARWIN Asia TEL: +65 6 779 4909 FAX: +65 6 779 3868 mis@harwin.com.sg			FINISH: CLEAN	DRAWING NUMBER: KF-470XX00