

TABLE 1

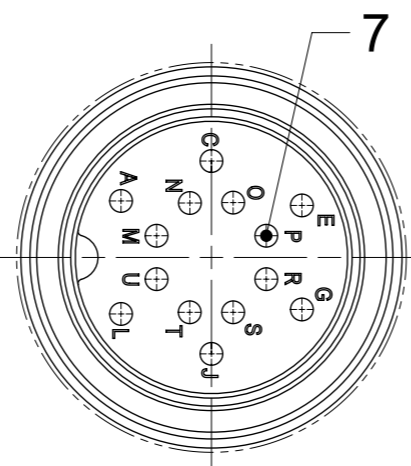
MOLEX PN	ENG. NO.	LED
1202470065	BNBA01P-FBC	YES

TABLE 2 BILL OF MATERIAL

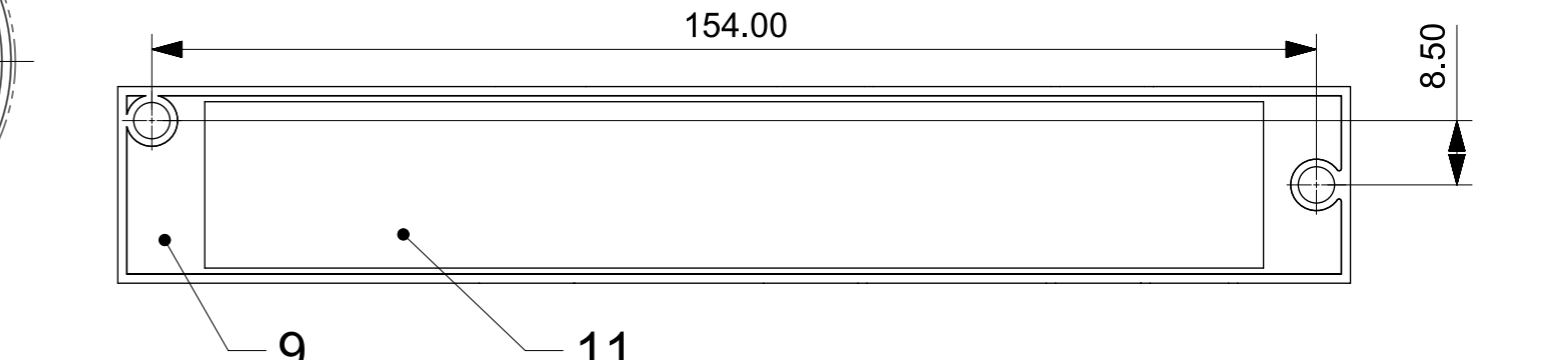
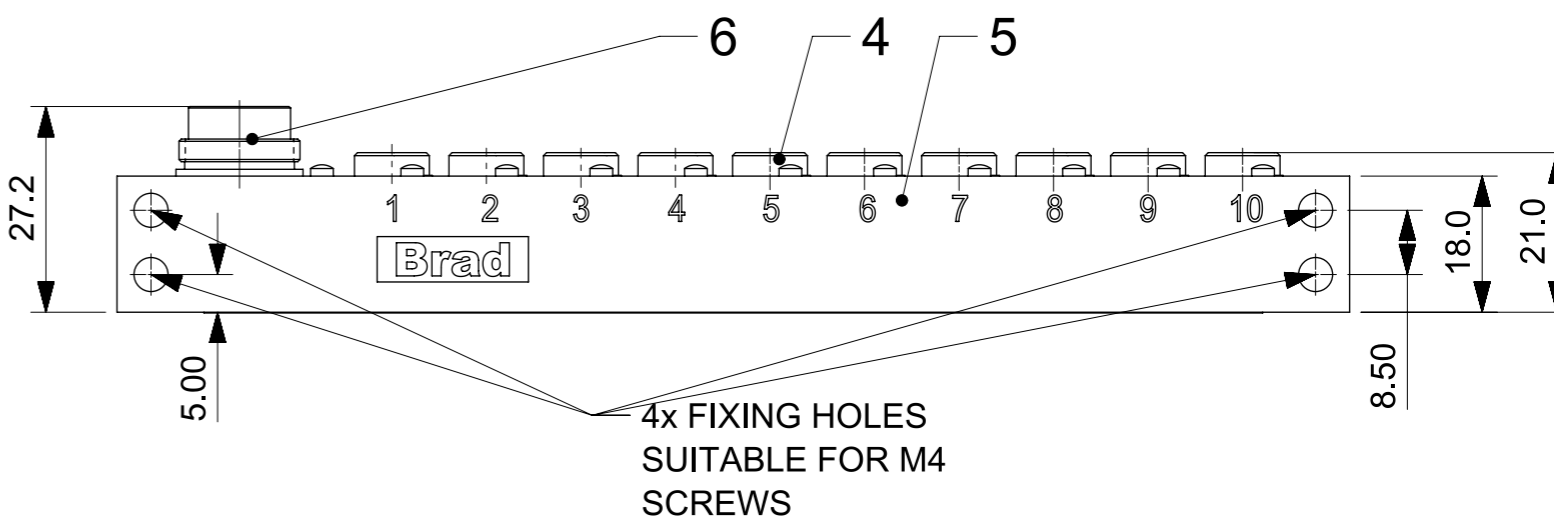
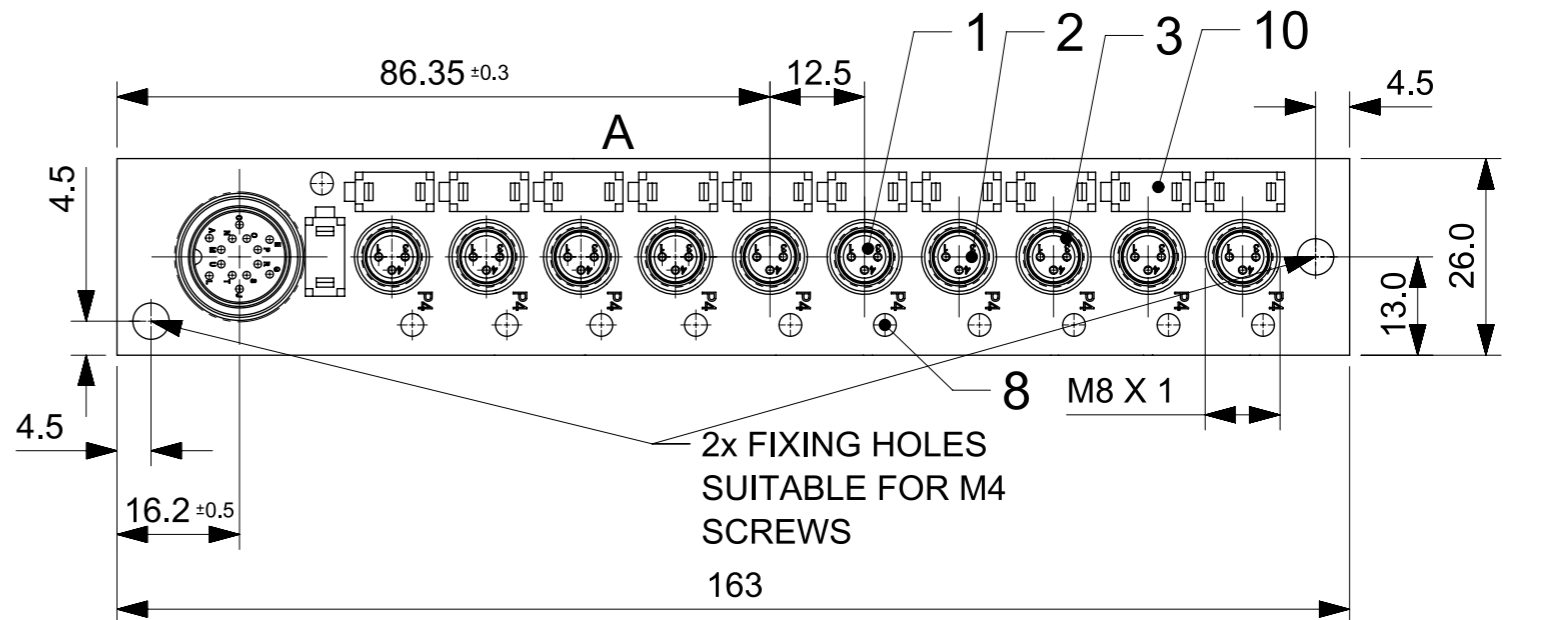
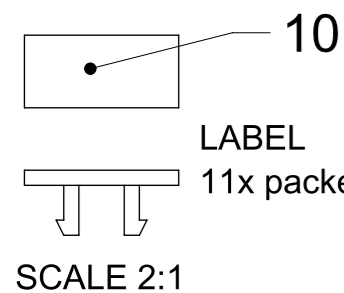
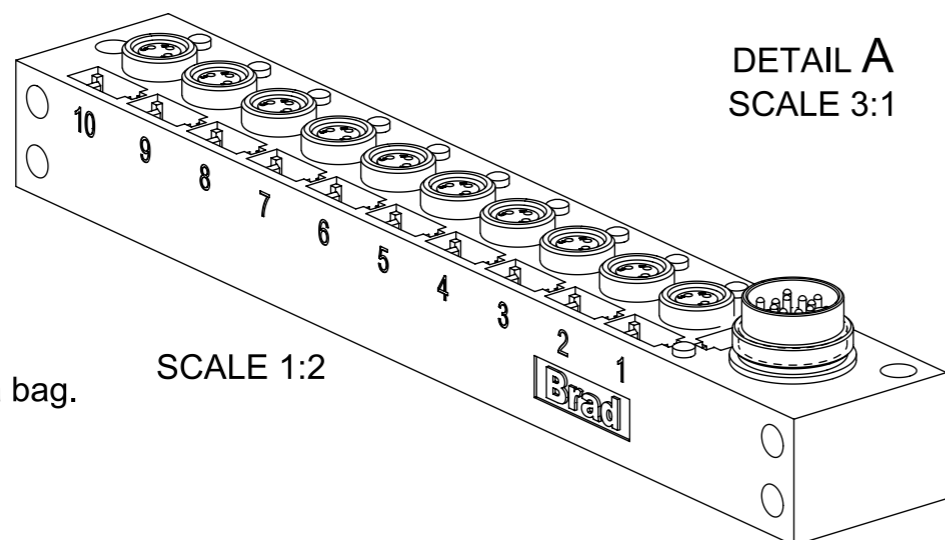
ITEM	DESCRIPTION	MATERIAL	FINISH
1	INSERT	TPU	BLACK
2	CONTACT	COPPER ALLOY	GOLD OVER NICKEL
3	O-RING	VITON	RED
4	RECEPTACLE SHELL	BRASS	NICKEL PLATED
5	HOUSING	PBT	BLACK
6	SHELL	BRASS	NICKEL PLATED
7	CONTACT	COPPER ALLOY	GOLD OVER NICKEL
8	LED	NO LED = PA	BLACK
		WITH LED = PA	TRANSPARENT
9	RESIN	EPOXY	TRANSPARENT
10	LABEL	ABS	WHITE
11	LABEL ADHESIVE	PE	WHITE

GENERAL CHARACTERISTICS:

NOMINAL VOLTAGE: 24 V DC
 RATED CURRENT: 2 A PER PORT / 6 A MAX: TOTAL
 IP DEGREE OF PROTECTION: IP 67
 TEMPERATURE RANGE: -25°C to + 85°C



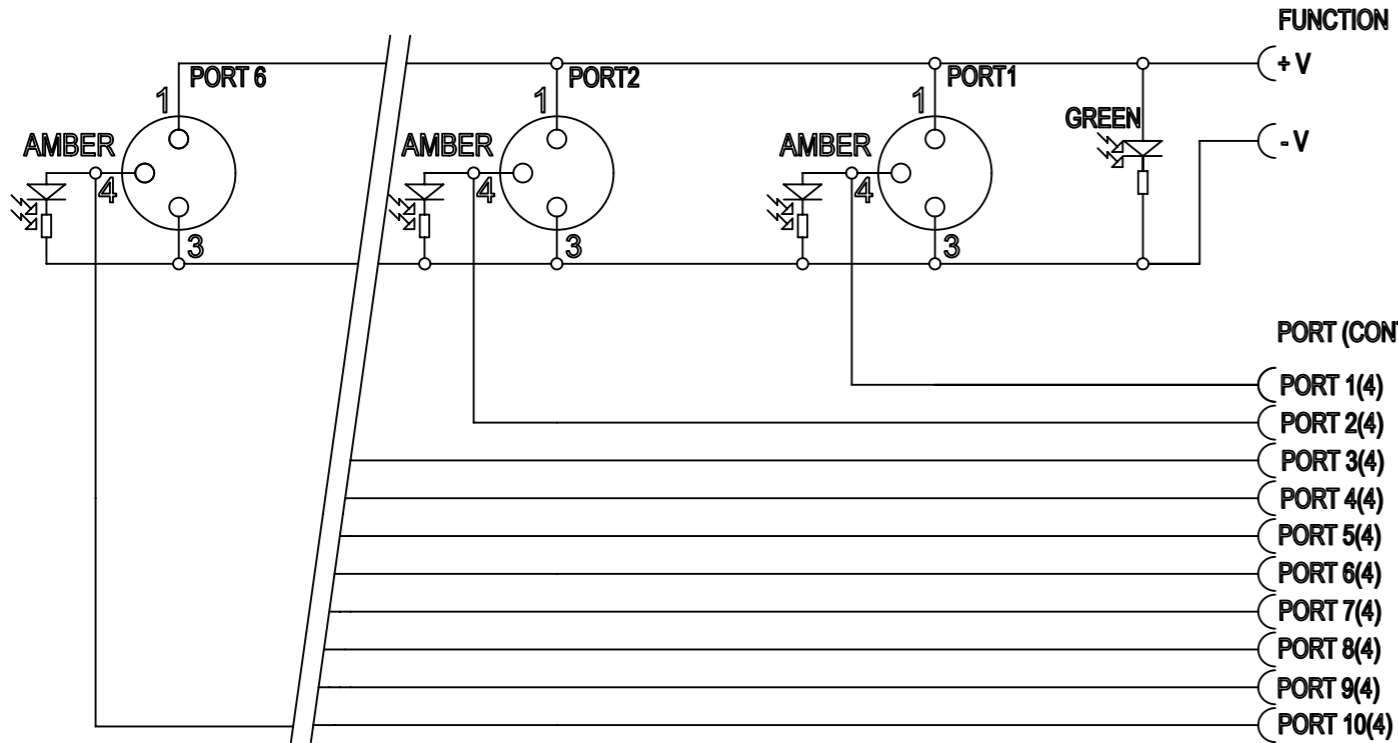
DETAIL A
SCALE 3:1



THIS DRAWING CONTAINS INFORMATION THAT IS PROPRIETARY TO MOLEX INCORPORATED AND SHOULD NOT BE USED WITHOUT WRITTEN PERMISSION

EC DESCRIPTION EC NO: 100833 DRWN: AAHLERS CHK'D: APPR:	2015/07/29 2015/07/29	QUALITY SYMBOLS ∇ = 0 ∇ = 0 ∇ = 0 ▼ = 0 ∇ = 0 ☒ = 0 ■ = 0 ∇ = 0	GENERAL TOLERANCES (UNLESS SPECIFIED) ANGULAR TOL ± ° 4 PLACES ± 3 PLACES ± 2 PLACES ± 0.2 1 PLACE ± 0.3 0 PLACES ± 0.5 DRAFT WHERE APPLICABLE MUST REMAIN WITHIN DIMENSIONS	DIMENSION UNITS: MM SCALE: 1:1 DRWN BY: AAHLERS DATE: 2015/07/21 CHK'D BY: DATE: APPR BY: RSILLER DATE: 2015/07/23 DRAWING SIZE: A3 THIRD ANGLE PROJECTION	molex MPIS M8 PNP 3P 10PT 14P M16 BK SINGLE PRODUCT CUSTOMER DRAWING			
	SERIES: 120247 MATERIAL NUMBER: SEE TABLE 1 CUSTOMER: GENERAL MARKET		DOCUMENT NUMBER: 1202470065 DOC TYPE: PSD DOC PART: 000 SHEET NUMBER: 1 OF 2					

Wiring Diagram Single PNP



THIS DRAWING CONTAINS INFORMATION THAT IS PROPRIETARY TO MOLEX INCORPORATED AND SHOULD NOT BE USED WITHOUT WRITTEN PERMISSION

EC DESCRIPTION EC NO: 100833 DRWN: AAHLERS CHK'D: APPR:	2015/07/29	QUALITY SYMBOLS ▽ = 0 ▽ = 0 ▽ = 0 ▼ = 0 ▽ = 0 ☒ = 0 ■ = 0 ▽ = 0	GENERAL TOLERANCES (UNLESS SPECIFIED)		DIMENSION UNITS MM	SCALE 1:1				
	DRWN BY AAHLERS		DATE 2015/07/21		MPIS M8 PNP 3P 10PT 14P M16 BK SINGLE					
	CHK'D BY DATE		APPR BY RSILLER		DATE 2015/07/23		PRODUCT CUSTOMER DRAWING			
	DRAFT WHERE APPLICABLE MUST REMAIN WITHIN DIMENSIONS		DRAWING SIZE A3		THIRD ANGLE PROJECTION		SERIES 120247	MATERIAL NUMBER SEE TABLE 1	CUSTOMER GENERAL MARKET	
A1	REV				DOCUMENT NUMBER 1202470065	DOC TYPE PSD	DOC PART 000	SHEET NUMBER 2 OF 2		