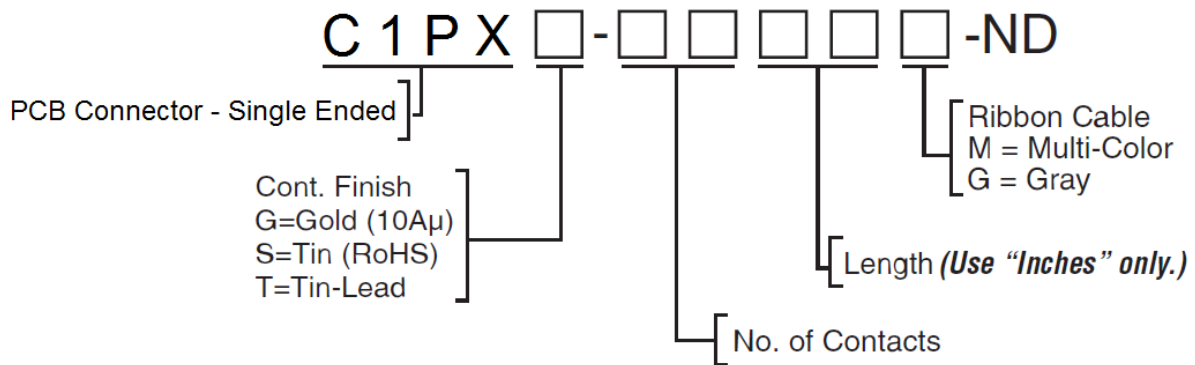
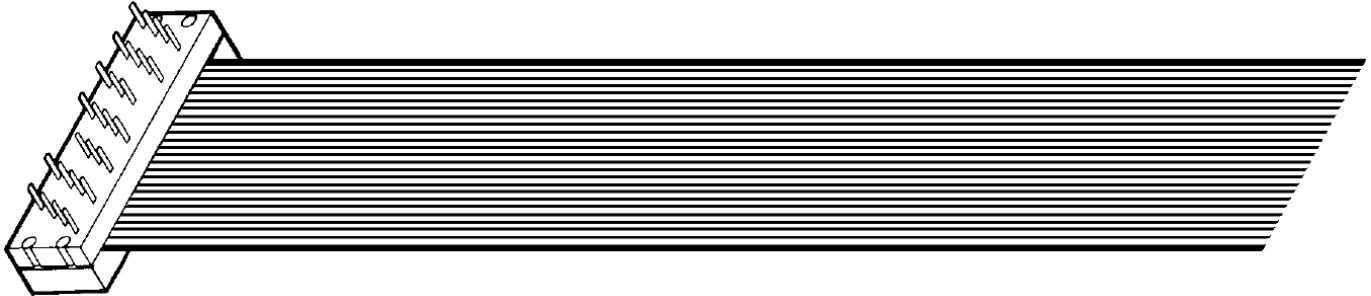




Termination Jumpers

PCB Connector – Single Ended

[PCB Connector without Strain Relief shown](#)



Digi-Key® Custom Cable Assemblies Available
Call Digi-Key