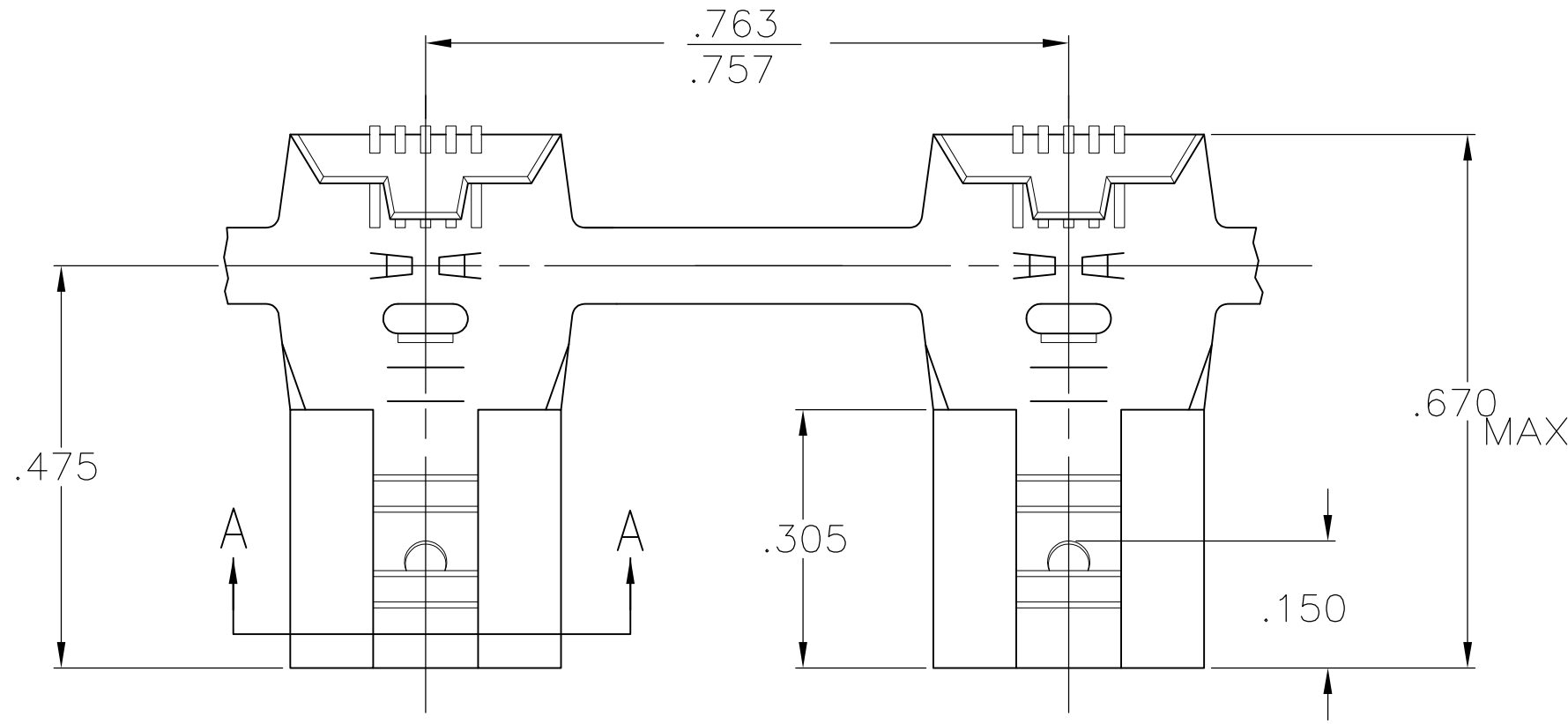
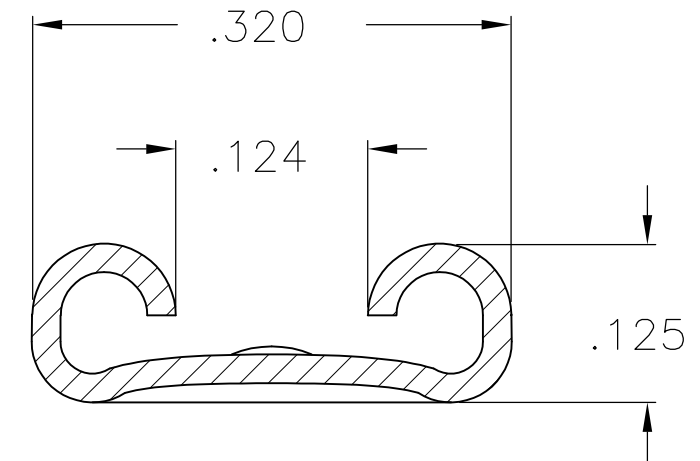


THIS DRAWING IS UNPUBLISHED. RELEASED FOR PUBLICATION
 © COPYRIGHT - By - ALL RIGHTS RESERVED.

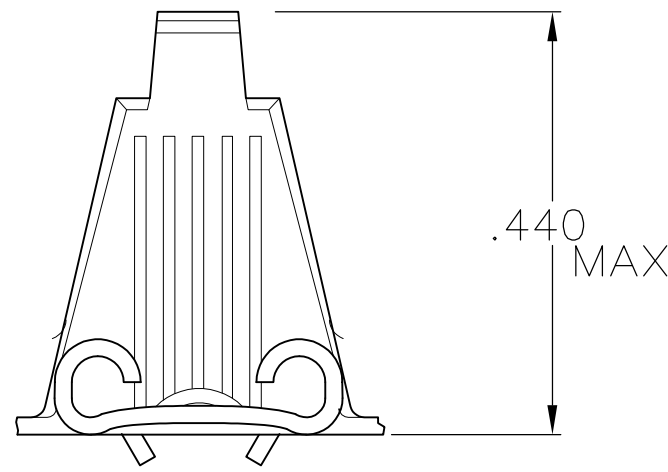
LOC	DIST	REVISIONS			
P	LTR	DESCRIPTION	DATE	DWN	APVD
AF	50	Y	REVISED PER ECR-12-013459	28NOV2012	KH PD



1 CONTINUOUS STRIP ON REELS.




SECTION A-A



OBSOLETE

REV.	REEL	L.H.	12-10	.032 ±.001	TIN	.018 PHOS. BRONZE	62057-8
					SILVER	.018 PHOS. BRONZE	62057-7
						.018 BRASS	62057-6
					TIN	.018 PHOS. BRONZE	62057-5
					TIN	BRASS	62057-4
					TIN	BRASS	62057-3
					SILVER	.018 PHOS. BRONZE	62057-1
REELING	WIRE SIZE	TAB THK	FINISH	MATERIAL	PART NO.		

THIS DRAWING IS A CONTROLLED DOCUMENT.		DWN JR RUTH 2/3/86	 TE Connectivity			
DIMENSIONS: INCHES		CHK R KUZO 2/7/86				
TOLERANCES UNLESS OTHERWISE SPECIFIED:		APVD C MEYERS 2/7/86	NAME .250 SERIES FLAG FASTON RECEPTACLE			
0 PLC ± - 1 PLC ± - 2 PLC ± - 3 PLC ± .015 4 PLC ± - ANGLES ± -		PRODUCT SPEC -	APPLICATION SPEC -			
MATERIAL SEE TABLE	FINISH SEE TABLE	WEIGHT -	SIZE A3	CAGE CODE 00779	DRAWING NO C-62057	RESTRICTED TO -
CUSTOMER DRAWING			SCALE 1:1	SHEET 1 OF 1	REV Y	