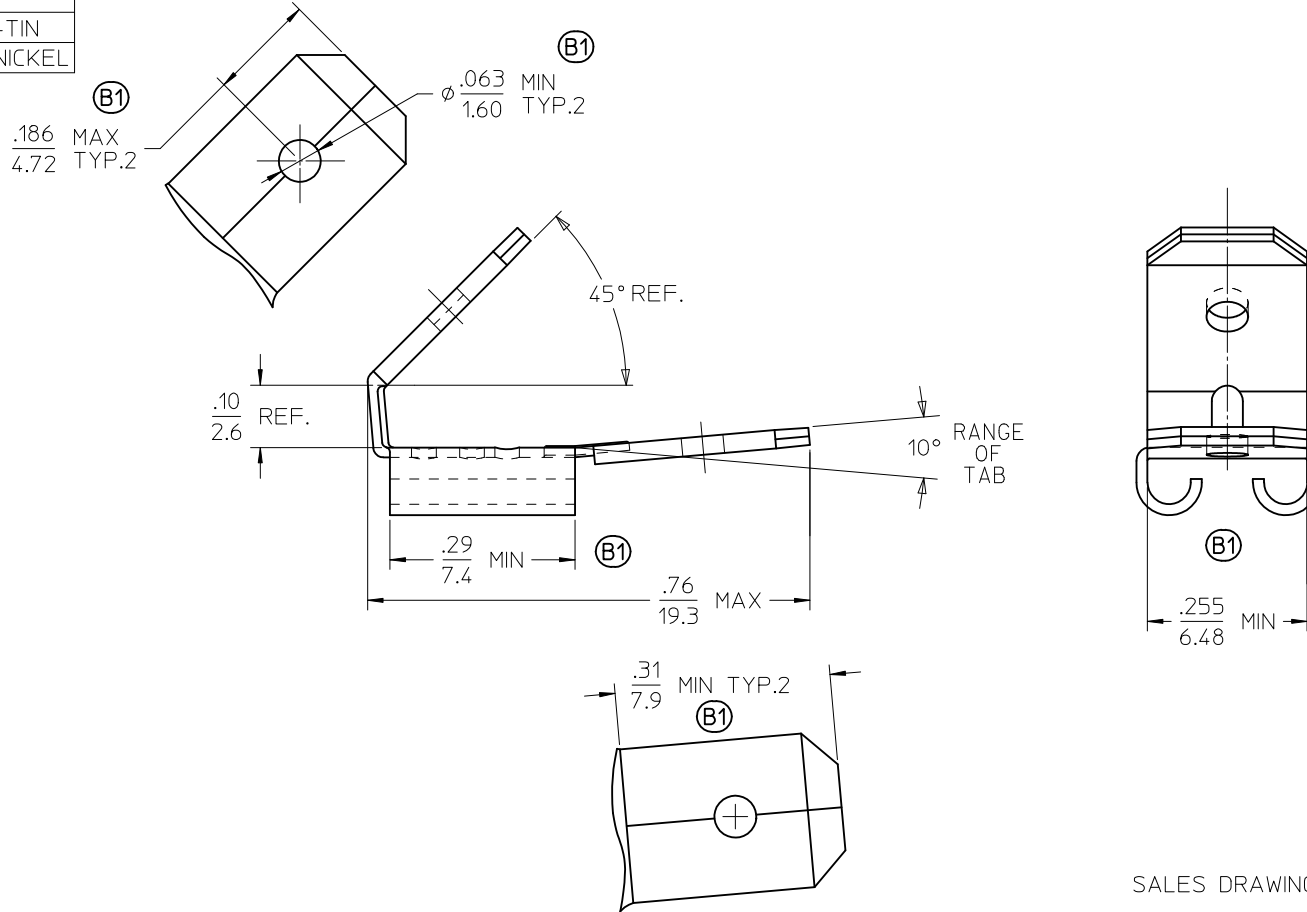


MATERIAL NUMBER	ENGINEERING NUMBER	PLATING
190430010	VWA-0	NONE
190430027	VWA-0-1	ELECTRO-TIN
190430028	VWA-0-HT	ELECTRO-NICKEL



SALES DRAWING

NOTE:

1. MATERIAL: BRASS, .015 THICK REF.
2. PLATING SEE CHART.

REV	DESCRIPTION	QUALITY SYMBOLS	GENERAL TOLERANCES (UNLESS SPECIFIED)		DIMENSION STYLE	SCALE	DESIGN UNITS	THIRD ANGLE PROJECTION
			mm	INCH	IN/MM	5:1	INCH	
B1	REVISIONS	▽=0 ▽=0	4 PLACES	± ---	± ---	DRAWN BY	DATE	TITLE
	EC NO: WNA2011-0262		3 PLACES	± ---	± .005	BRE	2002/05/01	3 WAY CONNECTOR 2 MALE TABS, 1 FEMALE .250X.032 QUICK DISCONN
	DRW:ETHRODAHL 2009/07/28		2 PLACES	± 0.13	± .01	CHECKED BY	DATE	
	CHKD:JMACNEIL 2010/11/16		1 PLACE	± 0.25	± ---	HEB	2002/05/01	MOLEX INCORPORATED
	APPR:JMACNEIL 2010/12/06		ANGULAR ± 20°			APPROVED BY	DATE	
			DRAFT WHERE APPLICABLE MUST REMAIN WITHIN DIMENSIONS			JMACNEIL	2010/12/06	DOCUMENT NO.
					SEE CHART			SD-19043-003
					SIZE B	THIS DRAWING CONTAINS INFORMATION THAT IS PROPRIETARY TO MOLEX INCORPORATED AND SHOULD NOT BE USED WITHOUT WRITTEN PERMISSION		SHEET NO. 1 OF 1