

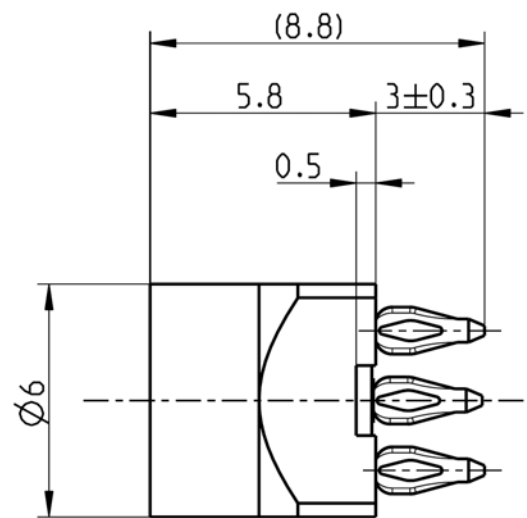
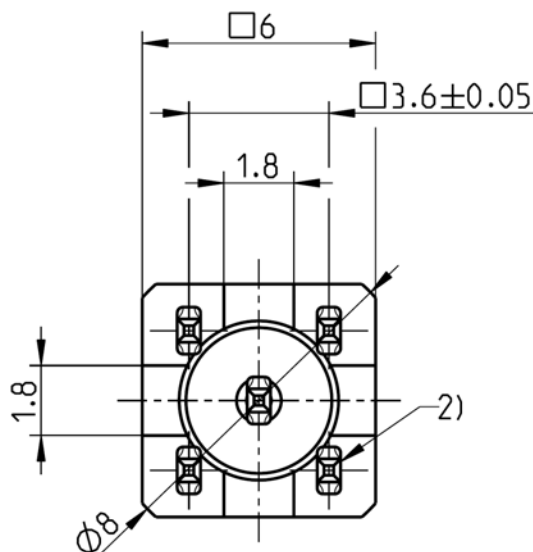
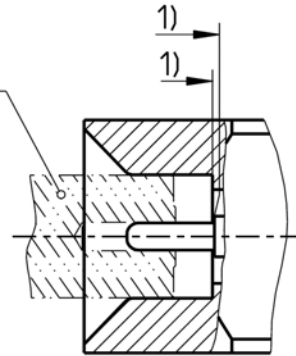
Long-wipe  
SMP

STRAIGHT PLUG PCB  
CATCHERS MIT

**17S14A-40PL5**

1) press-in reference  
2) any radial position

press-in tool  
(built by customer)



All dimensions are in mm; tolerances according to ISO 2768 m-H

**Interface**

Related to  
According to

MIL-STD-348A, Fig. 326  
Rosenberger 17S000-000

**Documents**

Panel piercing

B86a

**Material and plating**

**Connector parts**

Center contact  
Outer contact  
Dielectric

**Material**

CuBe  
Brass  
PTFE

**Plating**

AuroDur®, gold plated  
AuroDur®, gold plated

Dieses Dokument ist urheberrechtlich geschützt • This document is protected by copyright • Rosenberger Hochfrequenztechnik GmbH & Co. KG

RF\_35/05.10/6.0

Long-wipe  
SMP

STRAIGHT PLUG PCB  
CATCHERS MIT

**17S14A-40PL5**

**Electrical data**

Impedance	50 Ω
Frequency	DC to 6 GHz
Return loss	≥ 28 dB, DC to 3 GHz
	≥ 23 dB, 3 to 6 GHz
Insertion loss	≤ 0.05 x √f(GHz) dB, DC to 12 GHz
Insulation resistance	≥ 5 x10 <sup>3</sup> MΩ
Center contact resistance	≤ 6.0 mΩ
Outer contact resistance	≤ 2.0 mΩ
Test voltage (at sea level)	500 V rms
Working voltage (at sea level)	335 V rms
Contact Current	1.2A DC max.

- VSWR in application depends decisive on PCB layout -

**Mechanical data**

Mating cycles	≥ 1000
Center contact captivation:	≥ 7 N
Engagement force	
- catchers mit	9 N max.
Disengagement force	
- catchers mit	2.2 N min.

**Environmental data**

Temperature range	-65°C to +155°C
Thermal shock	MIL-STD-202, Meth. 107, Cond. B
Vibration	MIL-STD-202, Meth. 204, Cond. B
Shock	MIL-STD-202, Meth. 213, Cond. A
Moisture resistance	MIL-STD-202, Meth. 106
Max. soldering temperature	IEC 61760-1, +260°C for 10 sec.
2002/95/EC (RoHS)	compliant

**Tooling**

N/A

**Suitable cables**

N/A

**Weight**

Weight 1,11 g/pce

While the information has been carefully compiled to the best of our knowledge, nothing is intended as representation or warranty on our part and no statement herein shall be construed as recommendation to infringe existing patents. In the effort to improve our products, we reserve the right to make changes judged to be necessary.

Draft	Date	Approved	Date	Rev.	Engineering change number	Name	Date
Gramsamer Josef	02/11/09	Sa. Krautenbacher	11.03.14	c00	14-0352	T. Krojer	11.03.14

Rosenberger Hochfrequenztechnik GmbH & Co. KG  
P.O.Box 1260 D-84526 Tittmoning Germany  
[www.rosenberger.de](http://www.rosenberger.de)

Tel. : +49 8684 18-0  
Fax : +49 8684 18-499  
Email : [info@rosenberger.de](mailto:info@rosenberger.de)

Page  
2 / 2