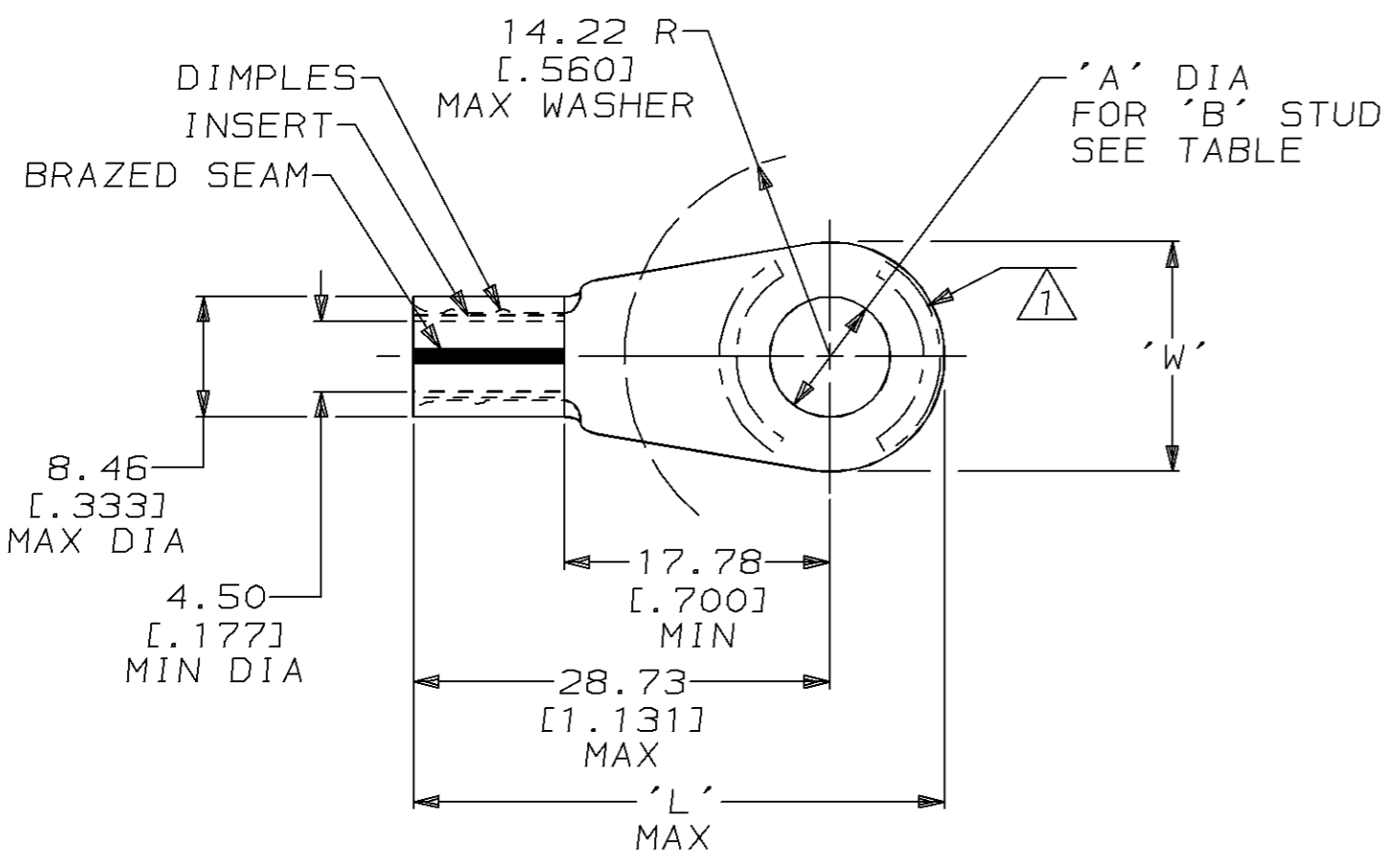


THIS DRAWING IS UNPUBLISHED. RELEASED FOR PUBLICATION, 19 .  
 © COPYRIGHT 19 BY AMP INCORPORATED. ALL RIGHTS RESERVED.

LOC	DIST	REVISIONS			
P	LTR	DESCRIPTION	DATE	DWN	APVD
G	86	K	REVISED PER 0720-0925-96	09SEP96	DKS CHK



1 STAMP 8 AL90CU APPROX AS SHOWN  
 2 MATERIAL THK: 1.14±0.08 [.045±.003]

OBSOLETE	<del>3.68±0.08 [.145±.003]</del>	<del>#6</del>	<del>35.15 [1.384]</del>	<del>12.70 [.500]</del>	BODY: COPPER PER ASTM B-152 TIN PL 0.00254 [.000100] MIN THK PER MIL-T-10727  INSERT: BRASS PER MIL-C-50 TIN PL 0.00254 [.000100] MIN THK PER MIL-T-10727	<del>50720-5</del>
OBSOLETE	<del>11.51±0.13 [.453±.005]</del>	<del>7/16</del>	<del>15.88 [.625]</del>	<del>36.73 [1.446]</del>		<del>50720-4</del>
OBSOLETE	<del>9.91±0.13 [.390±.005]</del>	<del>3/8</del>	<del>15.88 [.625]</del>	<del>36.73 [1.446]</del>		<del>50720-3</del>
	8.33±0.13 [.328±.005]	5/16	15.88 [.625]	36.73 [1.446]		50720-2
	6.73±0.13 [.265±.005]	1/4	35.15 [1.384]	12.70 [.500]		50720-1
	5.00±0.08 [.197±.003]	#10	35.15 [1.384]	12.70 [.500]		50720
	'A'	'B'	'L'	'W'		MATERIAL & FINISH

**AMP INCORPORATED**  
**CUSTOMER SERVICE SYSTEMS**

FOR ADDITIONAL PRODUCT INFORMATION OR COPIES OF DRAWINGS AND TECHNICAL DOCUMENTS	PRODUCT INFORMATION CENTER 1-800-522-6752	RECOMMENDED OPERATING TEMPERATURE: 170°C MAX
FOR APPLICATION TOOLING INFORMATION	TOOLING ASSISTANCE CENTER 1-800-722-1111	VOLTAGE RATING: NOT APPLICABLE
FOR ORDER ENTRY	1-800-526-5142	WIRE CROSS SECTIONAL AREA RANGE: 6.64-10.53mm <sup>2</sup> [13, 100-20, 800] CIR MILS STRANDED

THIS DRAWING IS A CONTROLLED DOCUMENT FOR AMP INCORPORATED. IT IS SUBJECT TO CHANGE AND THE CONTROLLING ENGINEERING ORGANIZATION SHOULD BE CONTACTED FOR THE LATEST REVISION.

DIMENSIONS:	TOLERANCES UNLESS OTHERWISE SPECIFIED:
mm [INCHES]	
	0 PLC ±-
	1 PLC ±-
	2 PLC ±0.20 [.008]
	3 PLC ±-
	4 PLC ±-
ANGLES	±-
MATERIAL	FINISH
SEE TABLE	SEE TABLE

DWN DK SCHRUM 09SEP96	AMP Incorporated Harrisburg, PA 17105-3608
CHK DM SWARTZ 11SEP96	
APVD JL MECKLEY 11SEP96	
PRODUCT SPEC	
APPLICATION SPEC	NAME TERMINAL ASSEMBLY, RING TONGUE, STRANDED/SOLID, COPALUM™, WIRE SIZE: 8 AL-CU
WEIGHT	SIZE A3
CUSTOMER DRAWING	CAGE CODE 00779
	DRAWING NO G-50720
	SCALE 2:1
	SHEET 1 OF 1
	REV K