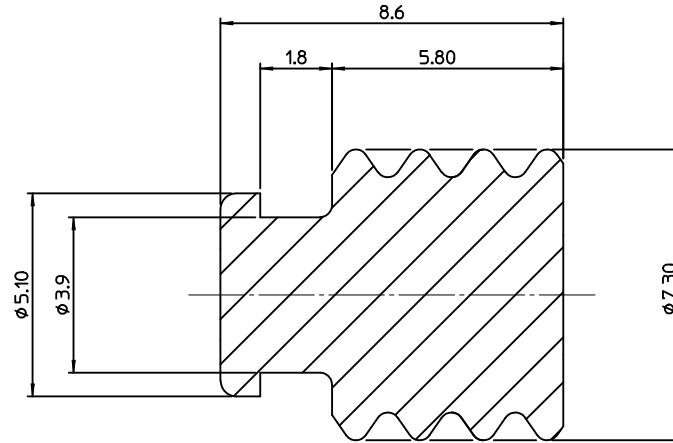
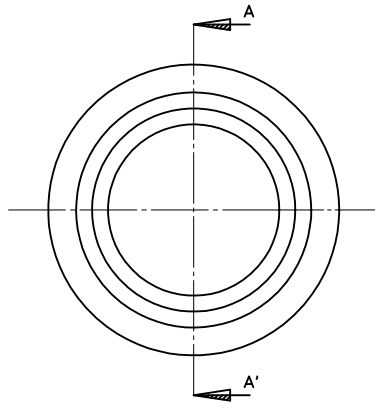
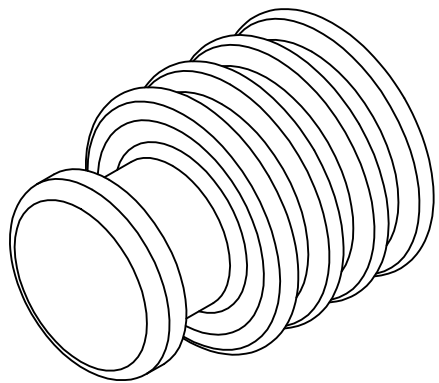
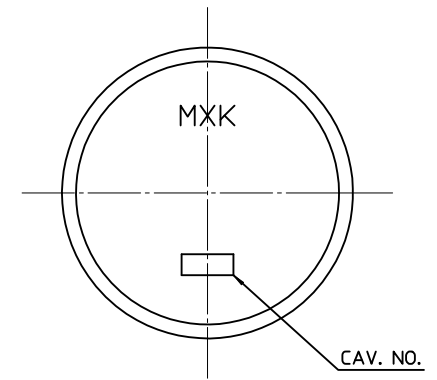


NOTES

1. MATERIAL : INTERNALLY LUBRICATED SILICONE
2. COLOR : RED
3. APPLICABLE SOCKET ASS'Y : 49454, 104035, 104036  
104037, 104038, 104039



SECTION A-A'



ISOVIEW

<TABLE 1>

MATERIAL NO.	ORDER NO.
494549004	49454-9004
DESIGN UNITS METRIC	THIRD ANGLE PROJECTION

<p><b>NEW RELEASED</b></p> <p>EC NO: KOR2010-0103</p> <p>DRW: EOKIM 2010/10/27</p> <p>CHK: BCY00N 2010/10/28</p> <p>APPR: YUNSIKKIM 2010/10/28</p>	<p>DESCRIPTION</p> <p>QUALITY SYMBOLS</p> <p>▽=0</p> <p>▽=0</p>	<p>GENERAL TOLERANCES (UNLESS SPECIFIED)</p>		<p>DIMENSION STYLE</p> <p>MM ONLY</p>		<p>SCALE</p> <p>8:1</p>	<p>TITLE</p> <p>S8 BULB SOCKET DUMMY SEAL</p> <p>MOLEX MOLEX INCORPORATED</p> <p>DOCUMENT NO. SD-49454-005</p> <p>SHEET NO. 1 OF 1</p>																
		<table border="1"> <tr> <th></th> <th>mm</th> <th>INCH</th> </tr> <tr> <td>4 PLACES</td> <td>± ---</td> <td>± ---</td> </tr> <tr> <td>3 PLACES</td> <td>± 0</td> <td>± ---</td> </tr> <tr> <td>2 PLACES</td> <td>± 0.15</td> <td>± ---</td> </tr> <tr> <td>1 PLACE</td> <td>± 0.20</td> <td>± ---</td> </tr> </table>			mm	INCH		4 PLACES	± ---	± ---	3 PLACES	± 0	± ---	2 PLACES	± 0.15	± ---	1 PLACE	± 0.20	± ---	<p>DRAWN BY DATE</p> <p>EOKIM 2009/10/20</p>		<p>CHECKED BY DATE</p> <p>BCY00N 2009/10/20</p>	
			mm	INCH																			
		4 PLACES	± ---	± ---																			
3 PLACES	± 0	± ---																					
2 PLACES	± 0.15	± ---																					
1 PLACE	± 0.20	± ---																					
<p>ANGULAR ± 1 °</p>		<p>APPROVED BY DATE</p> <p>EHJUNG 2009/10/20</p>		<p>MATERIAL NO.</p> <p>SEE TABLE 1</p>																			
<p>DRAFT WHERE APPLICABLE MUST REMAIN WITHIN DIMENSIONS</p>		<p>SIZE</p> <p>A3</p>		<p>THIS DRAWING CONTAINS INFORMATION THAT IS PROPRIETARY TO MOLEX INCORPORATED AND SHOULD NOT BE USED WITHOUT WRITTEN PERMISSION</p>																			