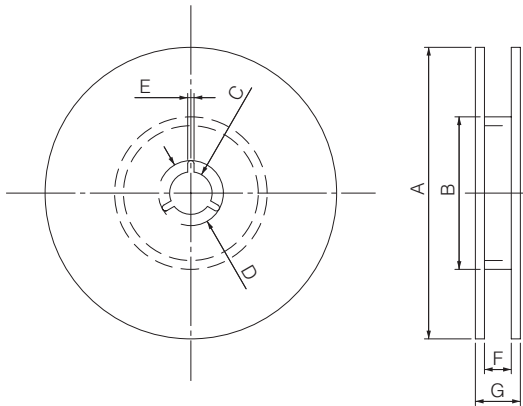


Common Specifications

Standard Reel Dimensions in mm(not to scale)

● REEL Material: PLASTIC



● For Width 8mm

Item	A	B	C	D	E
Rate (mm)	$\phi 380.0 \pm 2.0$	$\phi 80.0 \pm 1.0$	$\phi 13.0 \pm 0.2$	$\phi 21.0 \pm 0.8$	2.0 ± 0.5

Item	F	G
Rate (mm)	9.4 ± 1.0	13.4 ± 1.0

● For Width 12mm

Item	A	B	C	D	E
Rate (mm)	$\phi 380.0 \pm 2.0$	$\phi 80.0 \pm 1.0$	$\phi 13.0 \pm 0.2$	$\phi 21.0 \pm 0.8$	2.0 ± 0.5

Item	F	G
Rate (mm)	13.4 ± 1.0	17.4 ± 1.0

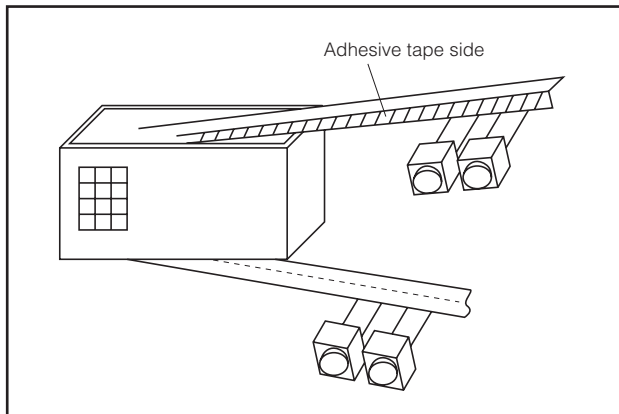
● For Width 16mm

Item	A	B	C	D	E
Rate (mm)	$\phi 380.0 \pm 2.0$	$\phi 80.0 \pm 1.0$	$\phi 13.0 \pm 0.2$	$\phi 21.0 \pm 0.8$	2.0 ± 0.5

Item	F	G
Rate (mm)	17.4 ± 1.0	21.4 ± 1.0

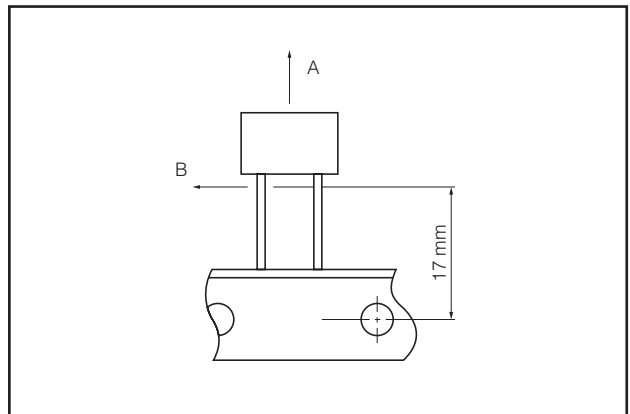
Packaging Methods for Radial Taping

● Drawing-out of taped products



Drawing-out can be done from top or bottom of an inner carton.

● Pull-strength of taped products



- Taped products shall not be fully drawn-out from the tape when pulling in direction A at 5.0 N max.
- Taped products shall not be drawn-out from the tape when pulling in direction B at 1.0N for 3 seconds.