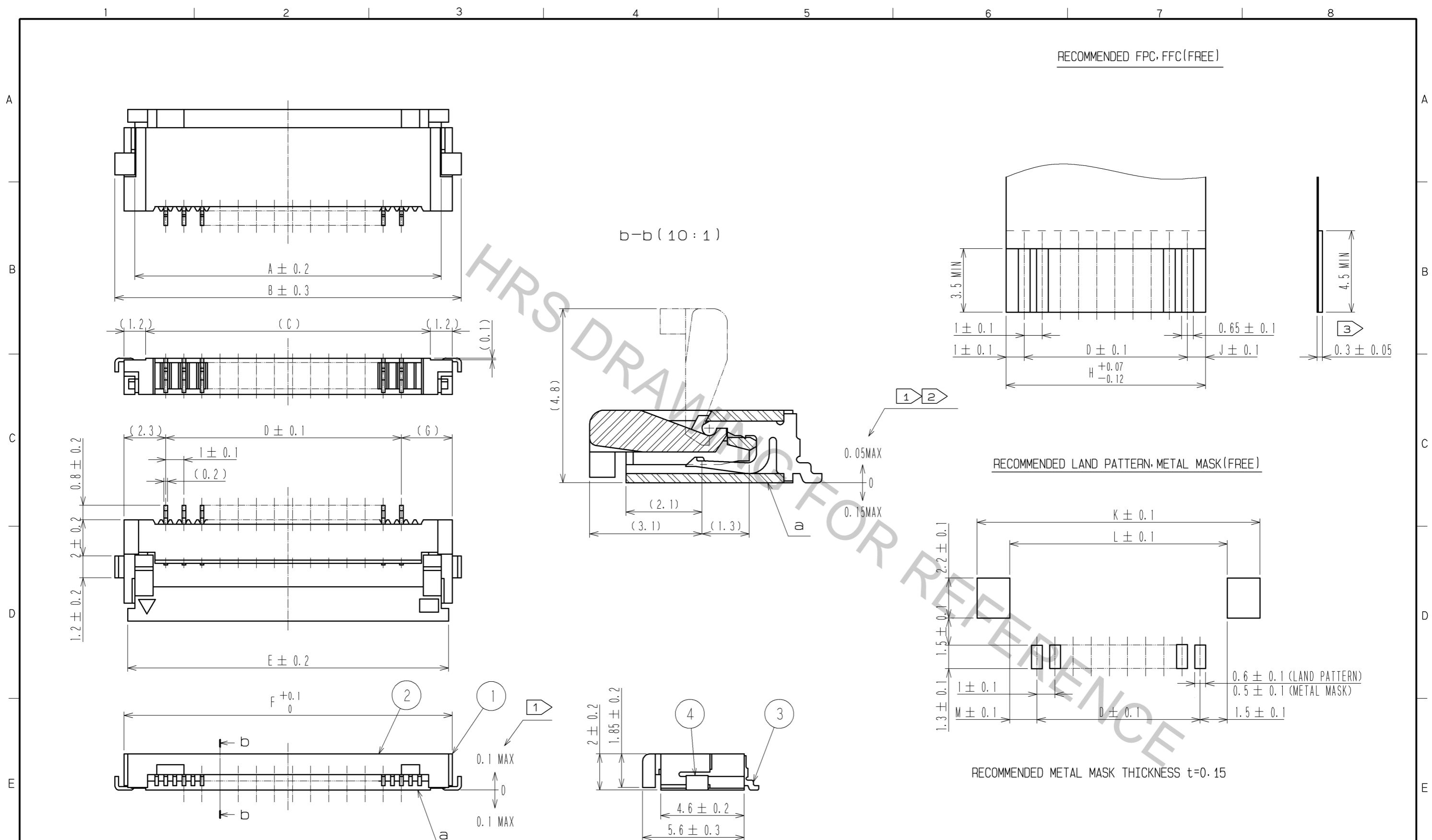


- NOTE
- ① REFERENCE IS a.
 - ② LEAD CO-PLANARITY SHALL BE 0.1 MAX.
 - ③ THICKNESS OF SUPPORTING TAPE SHALL BE 0.188(7.5mil) MIN.
 - 4 SEE DIMENSION TABLE IN THE APPENDIX.

<16 CONTACTS OR LESS>

2	PPS	(DEEP BROWN)UL94V-0	4	BRASS	TIN PLATING 1μm MIN-OVER NICKEL 1μm MIN.
1	POLYAMIDE	(BEIGE) UL94V-0	3	PHOSPHOR BRONZE	GOLD PLATING FLASH OVER NICKEL 1μm MIN.
NO.	MATERIAL	FINISH . REMARKS	NO.	MATERIAL	FINISH . REMARKS
UNITS	mm	SCALE	5 : 1	COUNT	9
		DESCRIPTION OF REVISIONS	DESIGNED	CHECKED	DATE
		DIS-F-001245	MK. YASUMI	TN. KUWATA	07.06.13
APPROVED : MO. ISHIDA		05.01.05	DRAWING NO. EDC3-150545-51		
CHECED : RI. TAKAYASU		05.01.05	PART NO. FH12-*(*)SA-1SH(55)		
DESIGNED : TH. MURAI		05.01.05	CODE NO. CL586		
DRAWN : TH. MURAI		05.01.05			

Apr.1.2017 Copyright 2017 HIROSE ELECTRIC CO., LTD. All Rights Reserved.



- NOTE
- ① REFERENCE IS a.
 - ② LEAD CO-PLANARITY SHALL BE 0.1 MAX.
 - ③ THICKNESS OF SUPPORTING TAPE SHALL BE 0.188(7.5mil) MIN.
 - ④ SEE DIMENSION TABLE IN THE APPENDIX.

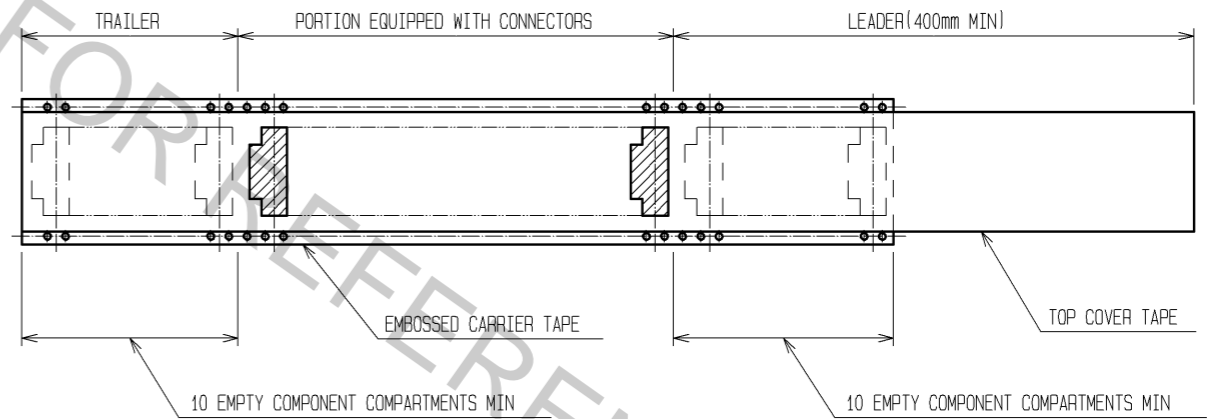
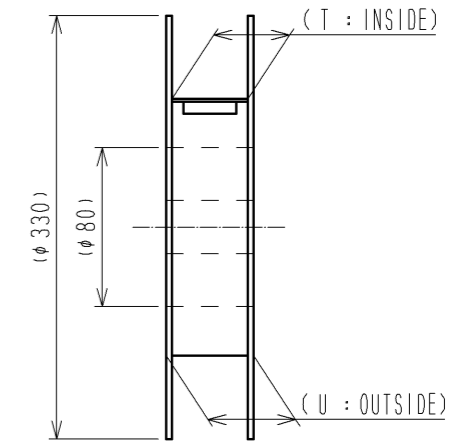
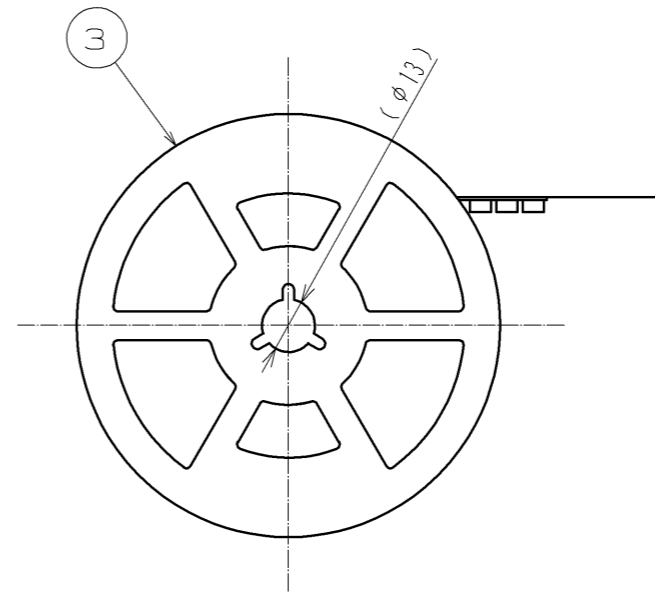
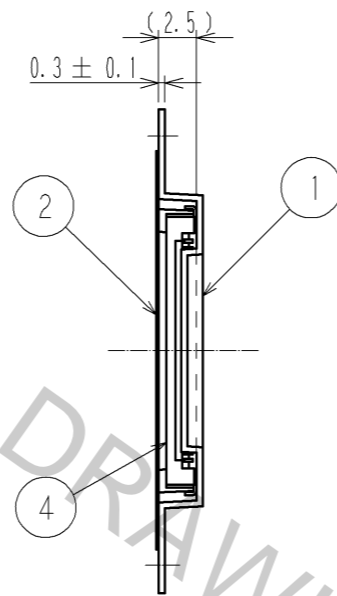
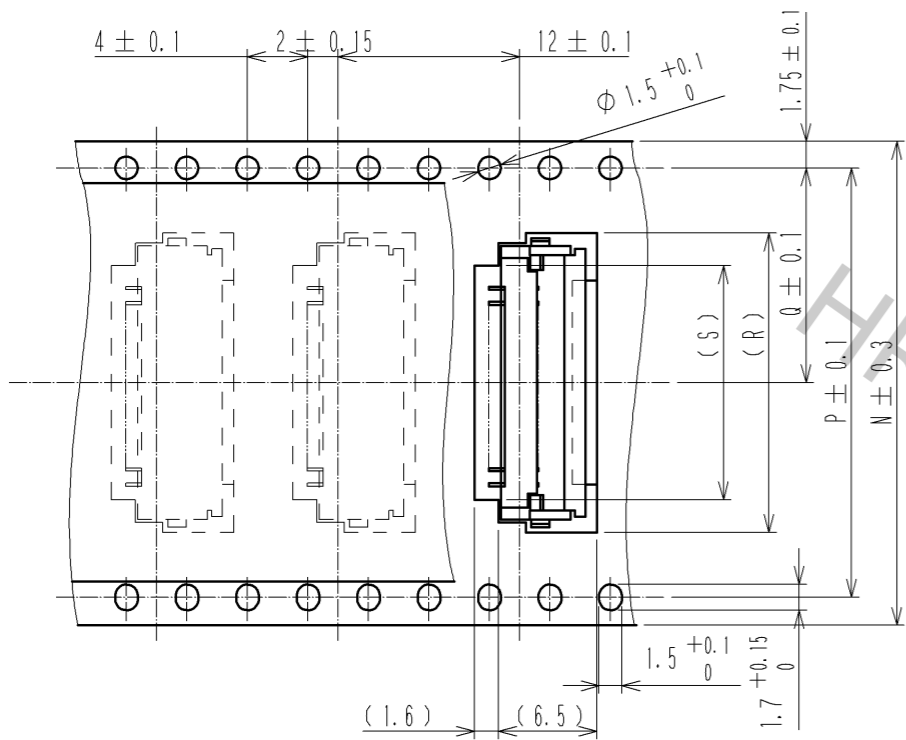
<17 CONTACT OR MORE>

NO.	MATERIAL	FINISH	REMARKS	NO.	MATERIAL	FINISH	REMARKS
2	PPS	(DEEP BROWN)	UL94V-0	4	BRASS	TIN PLATING 1μm MIN. OVER NICKEL 1μm MIN.	
1	POLYAMIDE	(BEIGE)	UL94V-0	3	PHOSPHOR BRONZE	GOLD PLATING FLASH OVER NICKEL 1μm MIN.	

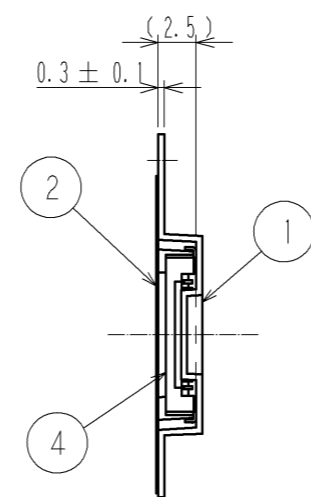
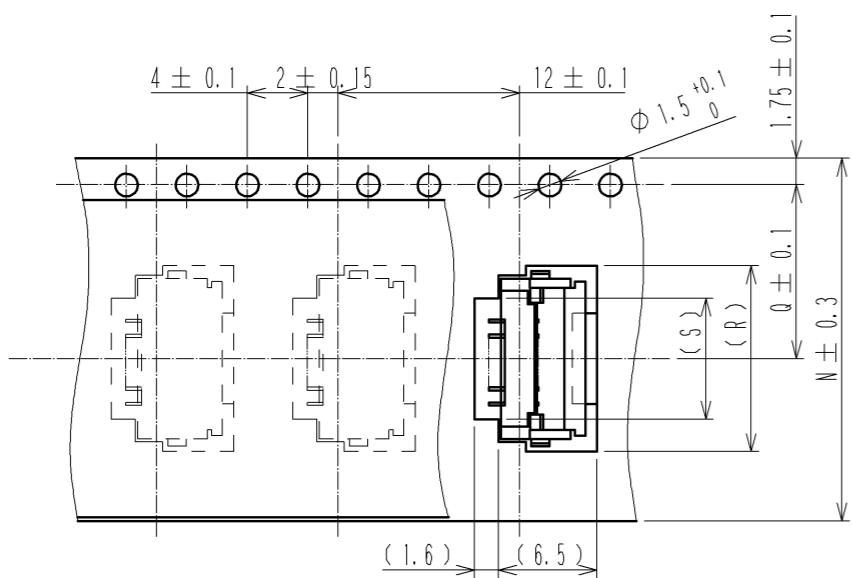
UNITS	SCALE	COUNT	DESCRIPTION OF REVISIONS	DESIGNED	CHECKED	DATE
mm	5:1	9	DIS-F-001245	MK. YASUMI	TN. KUWATA	07.06.13

APPROVED	: MO. ISHIDA	05.01.05	DRAWING NO.	EDC3-150545-51
CHECKED	: RI. TAKAYASU	05.01.05	PART NO.	FH12-*(*)SA-1SH(55)
DESIGNED	: TH. MURAI	05.01.05	CODE NO.	CL586
DRAWN	: TH. MURAI	05.01.05		

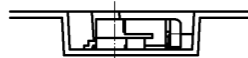
TAPE WIDTH: 32mm MIN



TAPE WIDTH: 24mm MAX



DIRECTION OF UNREELING



- NOTE 1 THE DIMENSIONS IN PARENTHESES ARE FOR REFERENCE.
 2 1 REEL : 2000 CONNECTORS.
 3 SEE DIMENSION TABLE IN THE APPENDIX.

<DRAWING FOR PACKING>

2	POLYESTER		4	(CONNECTOR)	△		
1	POLYSTYRENE		3	POLYSTYRENE	△		
NO.	MATERIAL	FINISH . REMARKS	NO.	MATERIAL	FINISH . REMARKS		
UNITS	mm	SCALE	COUNT	DESCRIPTION OF REVISIONS	DESIGNED	CHECKED	DATE
		2 : 1	△	DIS-F-001245	MK. YASUMI	TN. KUWATA	07.06.13
APPROVED : MO. ISHIDA		05.01.05	DRAWING NO.		EDC3-150545-51		
CHECKED : RI. TAKAYASU		05.01.05	PART NO.		FH12-*(*)SA-1SH(55)		
DESIGNED : TH. MURAI		05.01.05	CODE NO.		CL586		
DRAWN : TH. MURAI		05.01.05			△ 3/4		

DIMENSION TABLE OF CONNECTOR, FPC, FFC, LAND PATTERN AND METAL MASK

	PART NO.	CODE NO.	*	A	B	C	D	E	F	G	H	J	K	L	M
STANDARD TYPE	FH12- 5S-1SH(55)	CL586-0591-6-55	5	7.4	9.6	6.2	4	8.6	6.07	2.3	6	1	10.6	7	1.5
	FH12- 6S-1SH(55)	CL586-0607-4-55	6	8.4	10.6	7.2	5	9.6	7.07	2.3	7	1	11.6	8	1.5
	FH12- 7S-1SH(55)	CL586-0535-5-55	7	9.4	11.6	8.2	6	10.6	8.07	2.3	8	1	12.6	9	1.5
	FH12- 8S-1SH(55)	CL586-0579-0-55	8	10.4	12.6	9.2	7	11.6	9.07	2.3	9	1	13.6	10	1.5
	FH12- 9S-1SH(55)	CL586-0540-5-55	9	11.4	13.6	10.2	8	12.6	10.07	2.3	10	1	14.6	11	1.5
	FH12-11S-1SH(55)	CL586-0668-9-55	11	13.4	15.6	12.2	10	14.6	12.07	2.3	12	1	16.6	13	1.5
	FH12-12S-1SH(55)	CL586-0741-7-55	12	14.4	16.6	13.2	11	15.6	13.07	2.3	13	1	17.6	14	1.5
	FH12-16S-1SH(55)	CL586-0536-8-55	16	18.4	20.6	17.2	15	19.6	17.07	2.3	17	1	21.6	18	1.5
	FH12-17S-1SH(55)	CL586-0739-5-55	17	19.4	21.6	18.2	16	20.6	18.07	2.3	18	1	22.6	19	1.5
	FH12-22S-1SH(55)	CL586-0547-4-55	22	24.4	26.6	23.2	21	25.6	23.07	2.3	23	1	27.6	24	1.5
	FH12-26S-1SH(55)	CL586-0592-9-55	26	28.9	30.6	27.2	25	29.6	27.07	2.3	27	1	31.6	28	1.5
EXCENTRIC TYPE	FH12-10(4)SA-1SH(55)	CL586-0537-0-55	4	6.9	9.1	5.7	3	8.1	5.57	2.8	5.5	1.5	10.1	6.5	2
	FH12-14(6)SA-1SH(55)	CL586-0538-3-55	6	8.9	11.1	7.7	5	10.1	7.57	2.8	7.5	1.5	12.1	8.5	2
	FH12-18(8)SA-1SH(55)	CL586-0539-6-55	8	10.9	13.1	9.7	7	12.1	9.57	2.8	9.5	1.5	14.1	10.5	2
	FH12-22(10)SA-1SH(55)	CL586-0541-8-55	10	12.9	15.1	11.7	9	14.1	11.57	2.8	11.5	1.5	16.1	12.5	2
	FH12-24(11)SA-1SH(55)	CL586-0542-0-55	11	13.9	16.1	12.7	10	15.1	12.57	2.8	12.5	1.5	17.1	13.5	2
	FH12-30(14)SA-1SH(55)	CL586-0543-3-55	14	16.9	19.1	15.7	13	18.1	15.57	2.8	15.5	1.5	20.1	16.5	2
	FH12-40(19)SA-1SH(55)	CL586-0546-1-55	19	21.9	24.1	20.7	18	23.1	20.57	2.8	20.5	1.5	25.1	21.5	2
	FH12-50(24)SA-1SH(55)	CL586-0548-7-55	24	26.9	29.1	25.7	23	28.1	25.57	2.8	25.5	1.5	30.1	26.5	2

DIMENSION TABLE OF DRAWING FOR PACKING

	PART NO.	CODE NO.	*	N	P	Q	R	S	T	U
STANDARD TYPE	FH12- 5S-1SH(55)	CL586-0591-6-55	5	16	—	7.5	10.3	6	17.4	21.4
	FH12- 6S-1SH(55)	CL586-0607-4-55	6	24	—	11.5	11.3	7	25.4	29.4
	FH12- 7S-1SH(55)	CL586-0535-5-55	7	24	—	11.5	12.3	8	25.4	29.4
	FH12- 8S-1SH(55)	CL586-0579-0-55	8	24	—	11.5	13.3	9	25.4	29.4
	FH12- 9S-1SH(55)	CL586-0540-5-55	9	24	—	11.5	14.3	10	25.4	29.4
	FH12-11S-1SH(55)	CL586-0668-9-55	11	24	—	11.5	16.3	12	25.4	29.4
	FH12-12S-1SH(55)	CL586-0741-7-55	12	24	—	11.5	17.3	13	25.4	29.4
	FH12-16S-1SH(55)	CL586-0536-8-55	16	32	28.4	14.2	21.3	17	33.4	37.4
	FH12-17S-1SH(55)	CL586-0739-5-55	17	44	40.4	20.2	22.3	18	45.4	49.4
	FH12-22S-1SH(55)	CL586-0547-4-55	22	44	40.4	20.2	27.3	23	45.4	49.4
	FH12-26S-1SH(55)	CL586-0592-9-55	26	44	40.4	20.2	31.3	27	45.4	49.4
EXCENTRIC TYPE	FH12-10(4)SA-1SH(55)	CL586-0537-0-55	4	16	—	7.5	9.8	5.5	17.4	21.4
	FH12-14(6)SA-1SH(55)	CL586-0538-3-55	6	24	—	11.5	11.8	7.5	25.4	29.4
	FH12-18(8)SA-1SH(55)	CL586-0539-6-55	8	24	—	11.5	13.8	9.5	25.4	29.4
	FH12-22(10)SA-1SH(55)	CL586-0541-8-55	10	24	—	11.5	15.8	11.5	25.4	29.4
	FH12-24(11)SA-1SH(55)	CL586-0542-0-55	11	24	—	11.5	16.8	12.5	25.4	29.4
	FH12-30(14)SA-1SH(55)	CL586-0543-3-55	14	32	28.4	14.2	19.8	15.5	33.4	37.4
	FH12-40(19)SA-1SH(55)	CL586-0546-1-55	19	44	40.4	20.2	24.8	20.5	45.4	49.4
	FH12-50(24)SA-1SH(55)	CL586-0548-7-55	24	44	40.4	20.2	29.8	25.5	45.4	49.4

*: NUMBER OF CONTACT

NO.	MATERIAL	FINISH . REMARKS	NO.	MATERIAL	FINISH . REMARKS
UNITS mm		SCALE : Δ 9	COUNT : 9	DESCRIPTION OF REVISIONS DIS-F-001245	DESIGNED MK. YASUMI
APPROVED : MO. ISHIDA 05.01.05			CHECKED : R.I. TAKAYASU 05.01.05		
DESIGNED : TH. MURAI 05.01.05			DRAWN : TH. MURAI 05.01.05		
DRAWING NO. EDC3-150545-51			PART NO. FH12-*(*)SA-1SH(55)		
CODE NO. CL586			Δ 4/4		
DATE 07.06.13			CHECKED TN. KUWATA		