

Housing screw connection - SACC-BP-M-M12/M15-6-SMD SCO - 1414002

Please be informed that the data shown in this PDF Document is generated from our Online Catalog. Please find the complete data in the user's documentation. Our General Terms of Use for Downloads are valid (<http://phoenixcontact.com/download>)



Housing screw connection, PlugLink:M12-SPEEDCON, Rear mounting, M15 x 1

Why buy this product

- Reduced mounting costs thanks to two-piece device connector
- Easy device integration, thanks to mechanical port screw connections with threaded fastening
- Efficient PCB assembly: two-piece connectors for SMT soldering
- SPEEDCON fast locking system reduces cabling times



Key Commercial Data

Packing unit	1 STK
Minimum order quantity	20 STK
Weight per Piece (excluding packing)	10.0 g
Custom tariff number	79070000
Country of origin	Germany

Technical data

Ambient conditions

Ambient temperature (operation)	-25 °C ... 85 °C (Plug / socket)
	-40 °C ... 85 °C (without mechanical actuation)
Degree of protection	IP67 (when plugged in)

General

Note	The electrical and mechanical data specified assume that the connector pair is correctly locked and mounted. If the connector is unlocked and if there is a danger of contamination, the connector must be sealed using
------	---

Housing screw connection - SACC-BP-M-M12/M15-6-SMD SCO - 1414002

Technical data

General

	a protective cap > IP54. Influences arising from litz wires, cables or PCB assembly must also be taken into consideration.
Standards/regulations	M12 connector IEC 61076-2-101 In line with
Insertion/withdrawal cycles	> 100
Torque	1.5 Nm ... 2 Nm (Installation-side)
Mounting type	Rear mounting M15 x 1 Spacing between the top edge of the PCB and the back of the front plate: 6 mm

Material

Material, knurls	Zinc die-cast, nickel-plated
Material	Zinc die-cast (nickel-plated)
Sealing material	FKM (O-ring on housing)
Additional material specifications	Brass, nickel-plated (Locking nut)

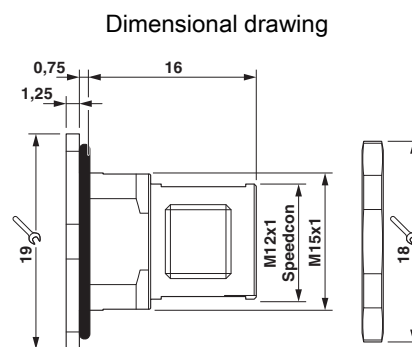
Cable

Standards/specifications	M12 connector IEC 61076-2-101 In line with
--------------------------	--

Standards and Regulations

Standard designation	M12 connector
Standards/regulations	IEC 61076-2-101

Drawings



Classifications

eCl@ss

eCl@ss 5.1	27143423
eCl@ss 6.0	27143423
eCl@ss 8.0	23100602

Housing screw connection - SACC-BP-M-M12/M15-6-SMD SCO - 1414002

Classifications

ETIM

ETIM 4.0	EC001855
ETIM 5.0	EC002350

Approvals

Approvals

Approvals

EAC

Ex Approvals

Approvals submitted

Approval details

EAC
