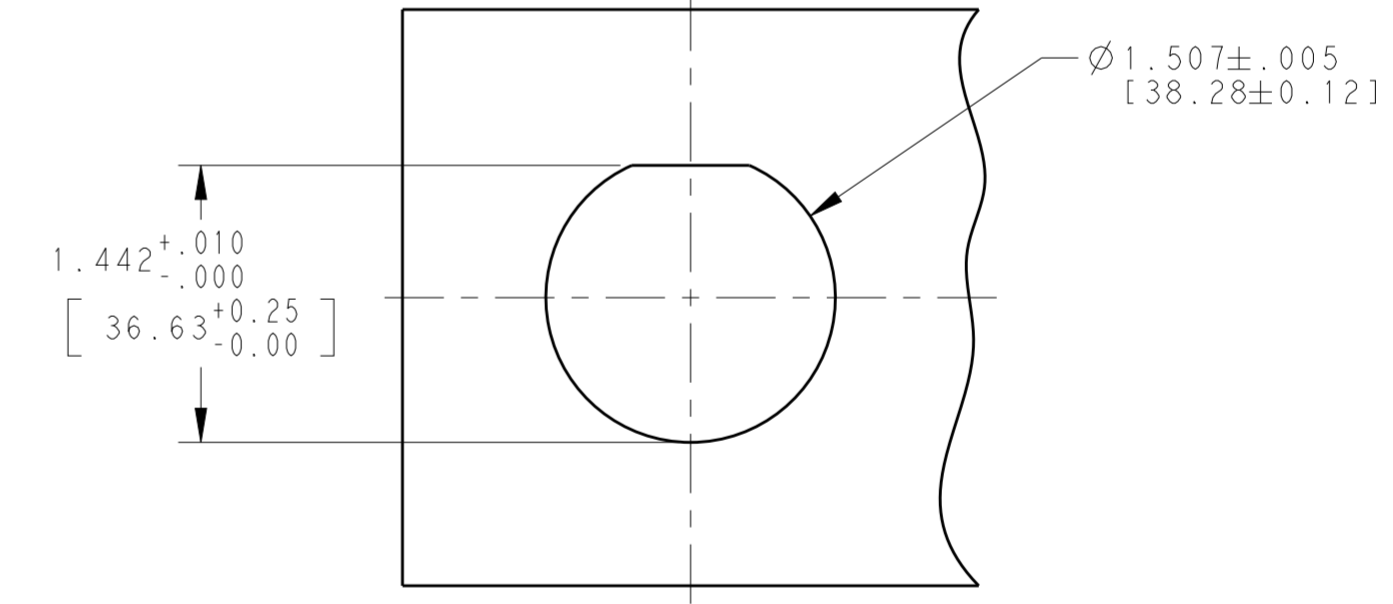
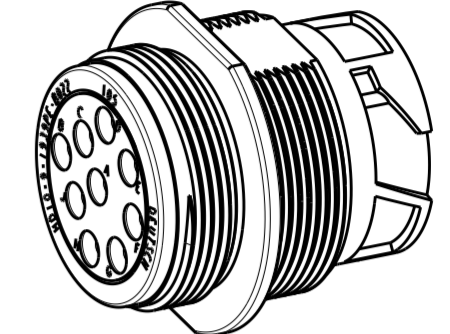
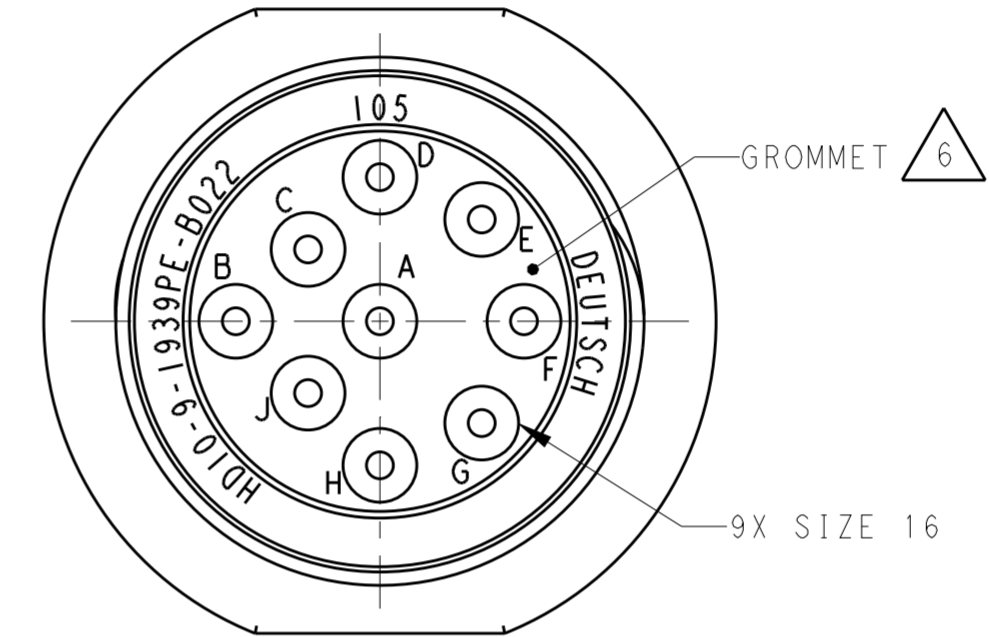
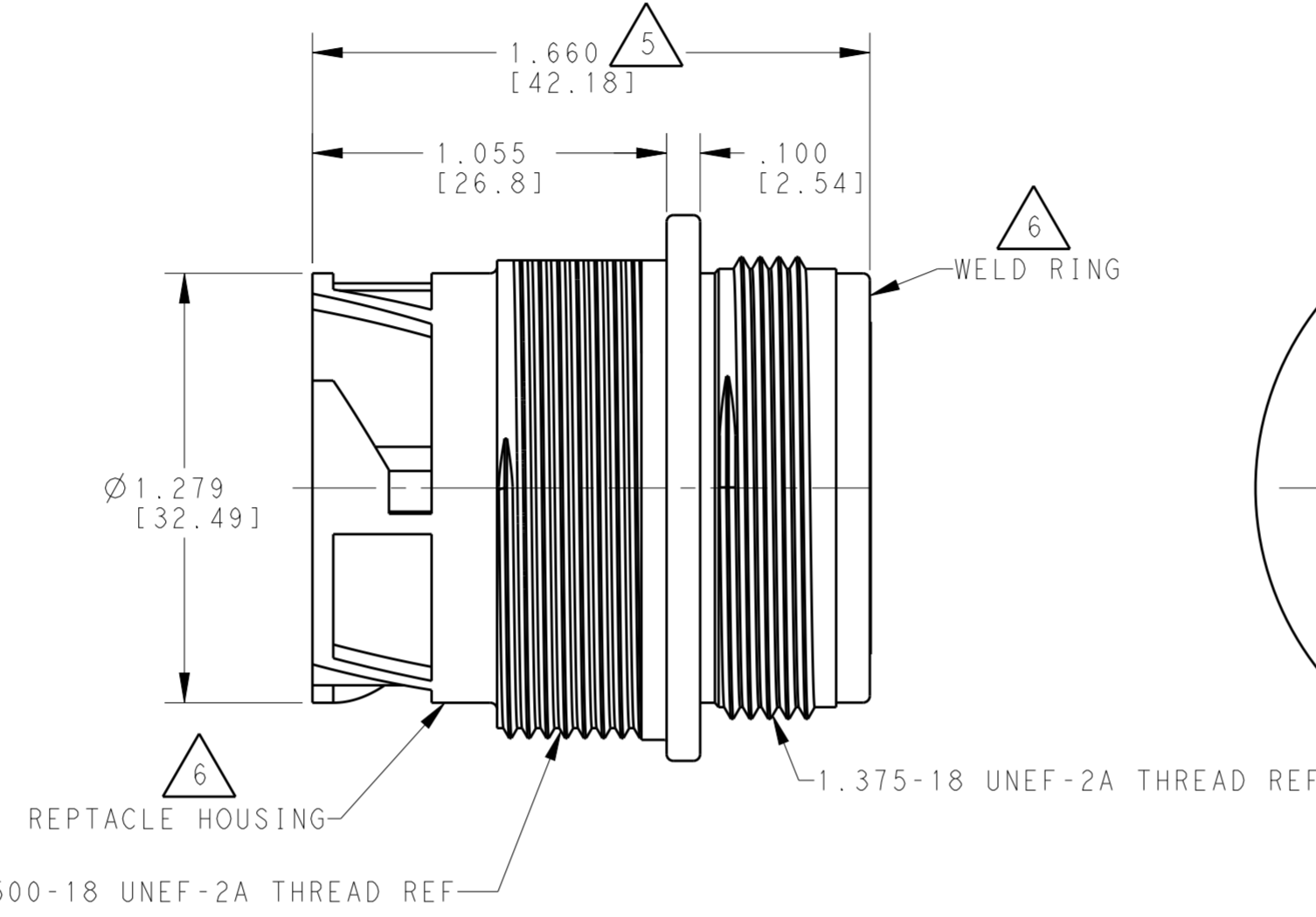
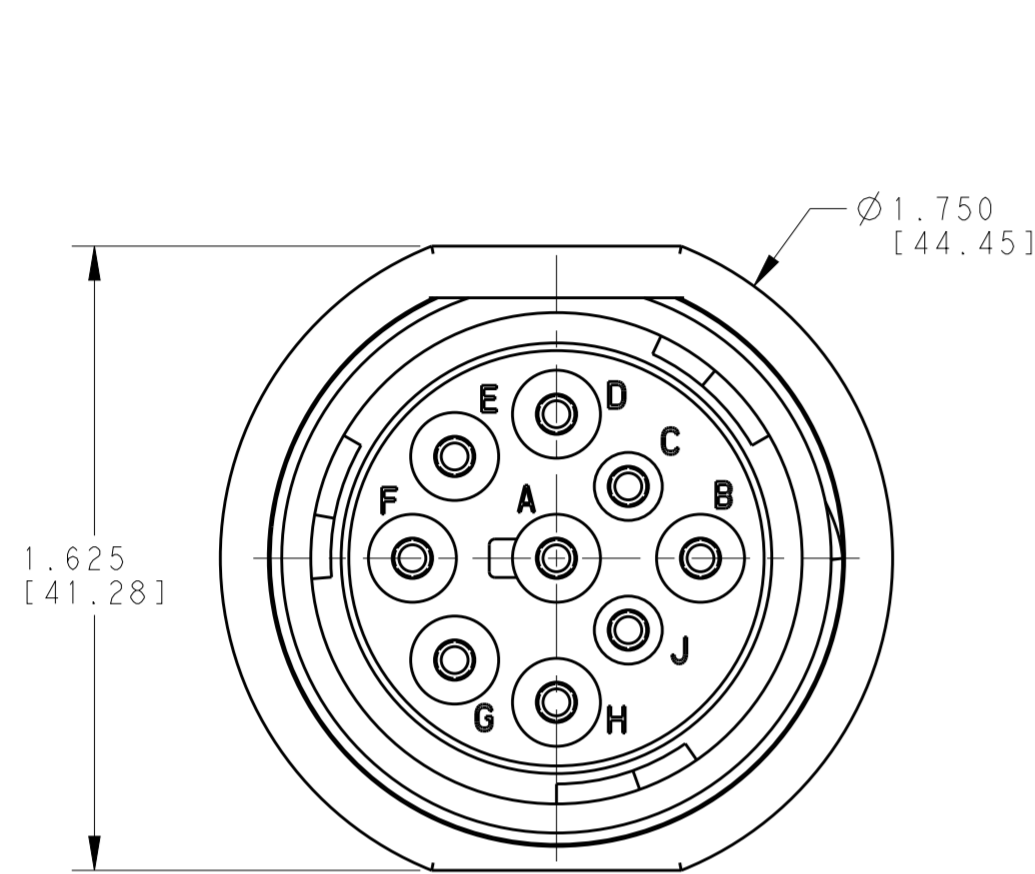


LOC		DIST		REVISIONS			
P	LTR	DESCRIPTION	DATE	DWN	APVD		
	A	REVISED PER E.O. P20077	08DEC2008	-	RDR		
	B	REVISED PER E.O. P21366	04JUN2012	-	RDR		
	B1	REVISED PER ECO-14-002953	29JAN2014	PV	DM		
	B2	REVISED PER ECO-14-010089	02JUL2014	JA	DM		



2 RECOMMENDED MOUNTING HOLE

- 8. THIS RECEPTACLE TO BE USED WITH 2411-002-1805 PANEL NUT AND 2414-002-1886 LOCK WASHER. PANEL NUT MOUNTING TORQUE: 45-55 IN. LB. [5.1 - 6.1 N.M.]
- 7. B022 MODIFICATION: SAE J1939-13, TYPE 1.
- 6 MATERIAL: RECEPTACLE HOUSING AND WELD RING: PA 15%GF (BLACK)  
GROMMET: SILICONE (RED)
- 5 OVERALL DIMENSION DOES NOT INCLUDE RUBBER GROMMET.
- 4. THIS RECEPTACLE MATES WITH FOLLOWING PLUGS(X=SEAL TYPE, XXXX = ALL MODIFICATIONS)  
HD16-9-1939SX-XXXX  
HD17-9-1939SX-XXXX
- 3 SEE DRAWING 0425-015-0000 FOR CONTACT AND WIRE PERFORMANCE AND APPLICATION CHARACTERISTICS.
- 2 RECOMMENDED PANEL THICKNESS: .062 [1.57] TO .188 [4.77].

1. SEE TABLE FOR USABLE WIRE RANGE AND INSULATION RANGES.

PART NUMBER	SEAL TYPE	CONTACT SIZE	MIN. INSUL. O.D.	MAX. INSUL. O.D.	WIRE RANGE [mm <sup>2</sup> ]
HD10-9-1939P-B022	NORMAL	16	.100 [2.54]	.150 [3.81]	14-18 AWG [2.0-.75]
HD10-9-1939PE-B022	E	16	.053 [1.35]	.120 [3.05]	14-20 AWG [2.0-.50]

NOTES:

THIS DRAWING IS A CONTROLLED DOCUMENT.		DWN 12 FEB 2008 I. GRANICHAROVA	TE Connectivity	
DIMENSIONS: [INCHES][mm]		CHK 02 JUL 2014 ILINA GRANICHAROVA		
TOLERANCES UNLESS OTHERWISE SPECIFIED:		APVD 02 JUL 2014 DAVID MEYER	NAME RECEPTACLE CONNECTOR ARR. 9-1939 -B022 MOD HD10 SERIES PANEL MOUNT, D-HOLE	
0 PLC ±		PRODUCT SPEC	SIZE CAGE CODE DRAWING NO RESTRICTED TO	
1 PLC ±		APPLICATION SPEC	A24AFU8 HD10-9-1939PX-B022	
2 PLC ±		WEIGHT 42.38g	SCALE 2:1 SHEET 1 OF 1 REV B2	
3 PLC ±.025		Customer Drawing		
4 PLC ±				
ANGLES ±0° 30' 0"				
FINISH				