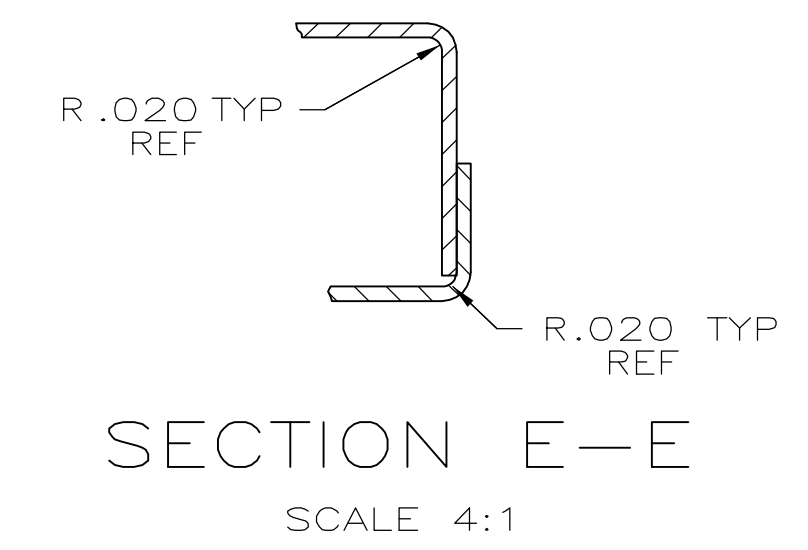
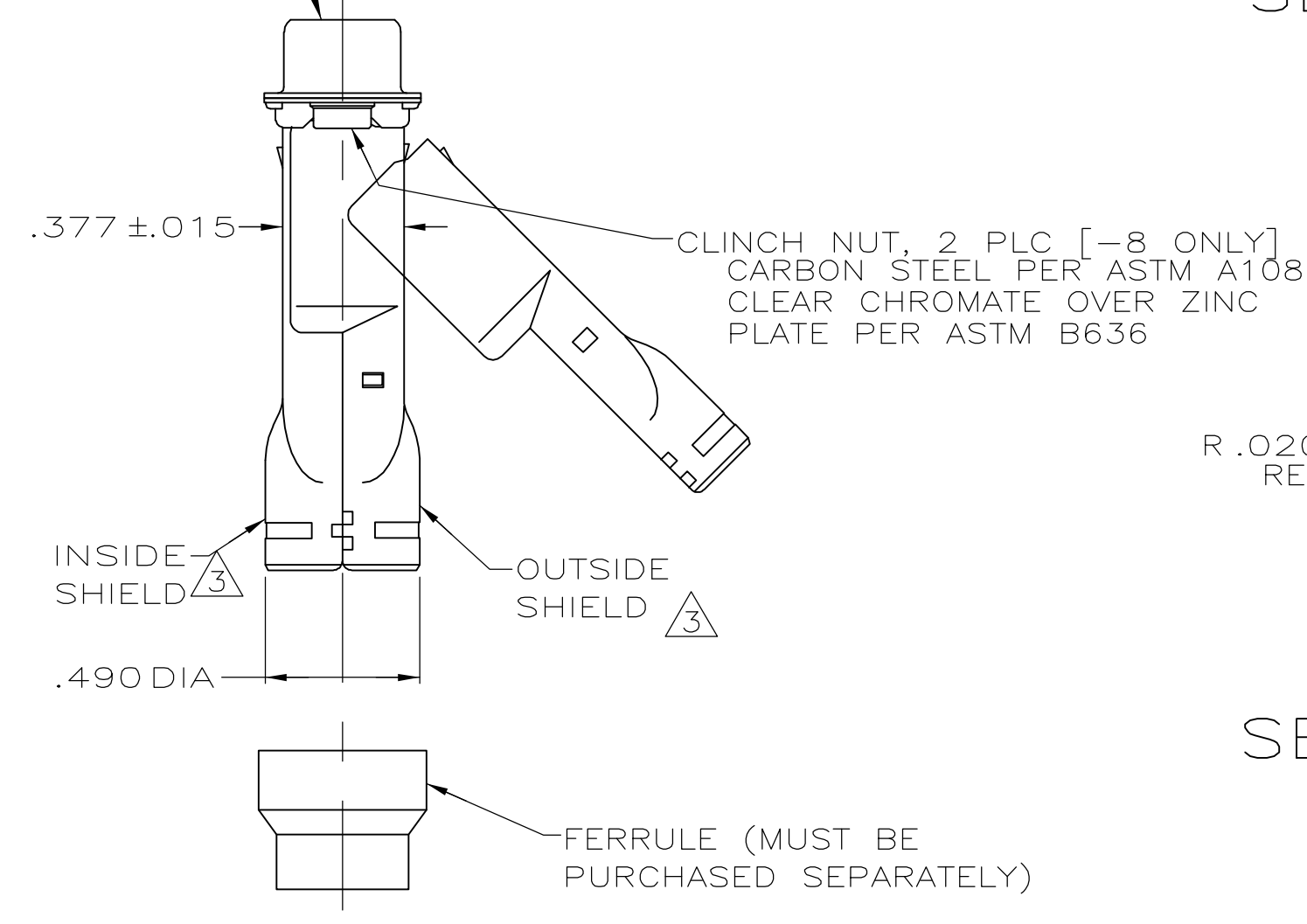


PLUG CONNECTOR ¹
 INSERT: BLACK THERMOPLASTIC,
 94V-0 RATED.
 SHELL: STEEL PER ASTM A109,
 BRIGHT TIN PLATED
 PER MIL-T-10727.



- 1 PLUG CONNECTOR FULLY LOADED WITH CONTACTS. ALL OTHER PARTS SHIPPED UNASSEMBLED (EACH PART INDIVIDUALLY BULK PACKED).
- 2 NUMBER ON CONTACT INDICATES WIRE RANGE.
- 3 SHIELDS: MATERIAL—.020 THICK STEEL, TIN PLATED.
- 4 CONTACTS PLATED GOLD PLATED FOR LENGTH OF .150 MIN FROM MATING END, .000030 MIN GOLD IN MATED AREA. .000100—.000200 BRIGHT TIN OR BRIGHT IN TIN-LEAD IN WIRE TERMINATION AREA. .000050 NICKEL UNDERPLATE ON ENTIRE CONTACT.
- 5 CONTACTS PLATED GOLD PLATED FOR LENGTH OF .150 MIN FROM MATING END, GOLD FLASH IN MATED AREA. .000100—.000200 BRIGHT TIN OR BRIGHT IN TIN-LEAD IN WIRE TERMINATION AREA. .000030 NICKEL UNDERPLATE ON ENTIRE CONTACT.

- 6 RAISED CAVITY IDENTIFICATION AND AMP TRADEMARK.
- 7 CONTACTS PLATED GOLD PLATED FOR LENGTH OF .150 MIN FROM MATING END, .000050 MIN GOLD IN MATED AREA. .000100—.000200 BRIGHT TIN OR BRIGHT IN TIN-LEAD IN WIRE TERMINATION AREA. .000050 NICKEL UNDERPLATE ON ENTIRE CONTACT.
- 8 ADVANCE PART NUMBER.
- 9 CONTACTS PLATED GOLD FOR A LENGTH OF .150 MIN FROM MATING END, .000030 MIN GOLD IN MATED AREA. .000100—.000200 MATTE TIN IN WIRE TERMINATION AREA. .000050 MIN NICKEL UNDERPLATE ON ENTIRE CONTACT.
- 10 CONTACTS PLATED GOLD FOR A LENGTH OF .150 MIN FROM MATING END, GOLD FLASH IN MATED AREA. .000100—.000200 MATTE TIN IN WIRE TERMINATION AREA. .000030 MIN NICKEL UNDERPLATE ON ENTIRE CONTACT.

	2	#22-26	1-747563-0
OBSOLETE	1	#26-30	747563-9
OBSOLETE	2	#22-26	747563-8
	2	#22-26	747563-7
OBSOLETE	3	#20-22	747563-6
OBSOLETE	2	#22-26	747563-5
OBSOLETE	1	#26-30	747563-4
OBSOLETE	3	#20-22	747563-3
SUPERSEDED BY 747950-2	2	#22-26	747563-2
OBSOLETE	1	#26-30	747563-1
	CONTACT FINISH	WIRE RANGE	PART NUMBER

THIS DRAWING IS A CONTROLLED DOCUMENT.

DWN L. VARELA - DOCKS 11-16-04	tyco Electronics Tyco Electronics Corporation Harrisburg, PA 17105-3608
CHK J. GERACE 11-16-04	NAME M. WALMSLEY
APVD M. WALMSLEY	PRODUCT SPEC 108-40011 & 108-40030
	APPLICATION SPEC 114-40002
DIMENSIONS: INCHES	TOLERANCES UNLESS OTHERWISE SPECIFIED: 0 PLC ± - 1 PLC ± - 2 PLC ± - 3 PLC ± .005 4 PLC ± - ANGLES ± 0° 30'
MATERIAL SEE CALL OUTS	FINISH SEE TABLE
SIZE A1	CAGE CODE 00779
WEIGHT -	DRAWING NO 747563
CUSTOMER DRAWING	RESTRICTED TO
SCALE 2:1	SHEET 1 OF 1
	REV L1