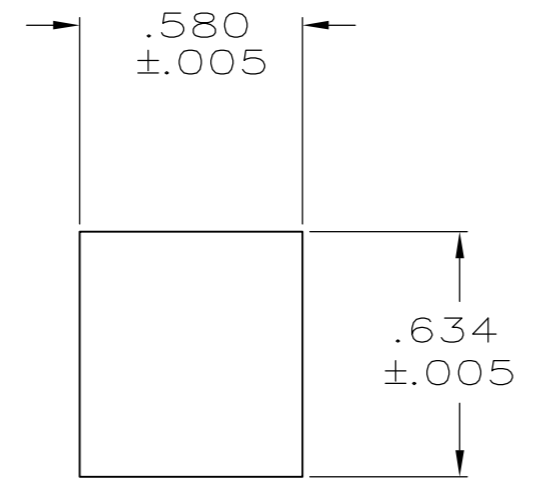
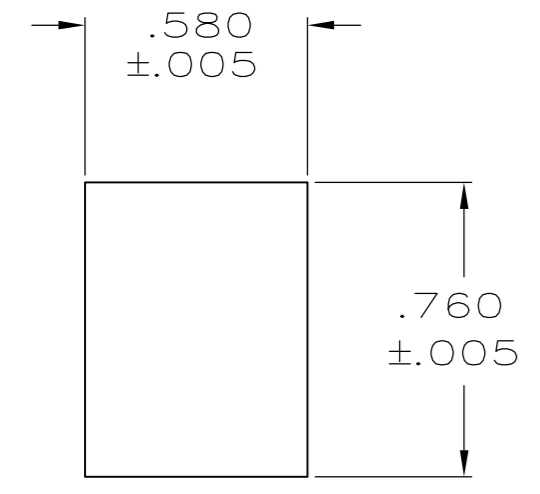
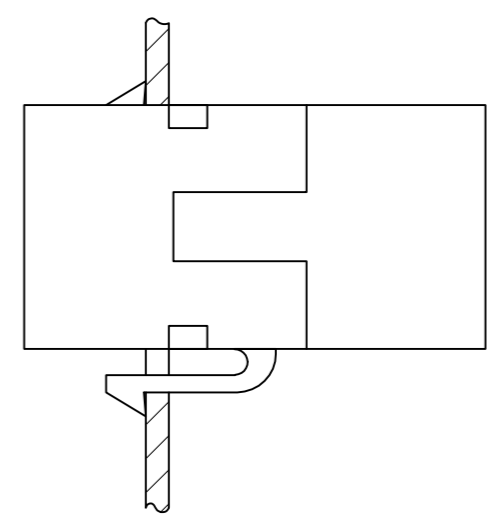
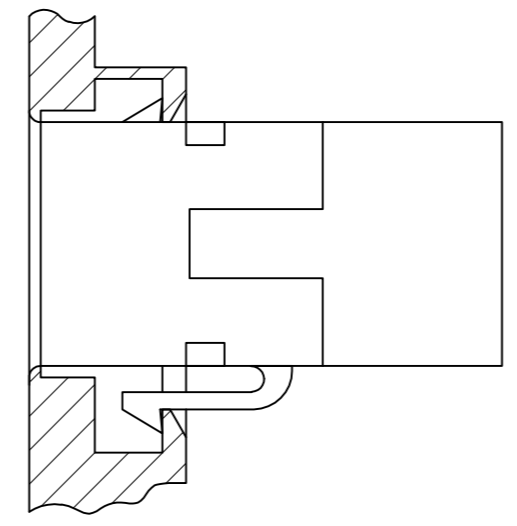
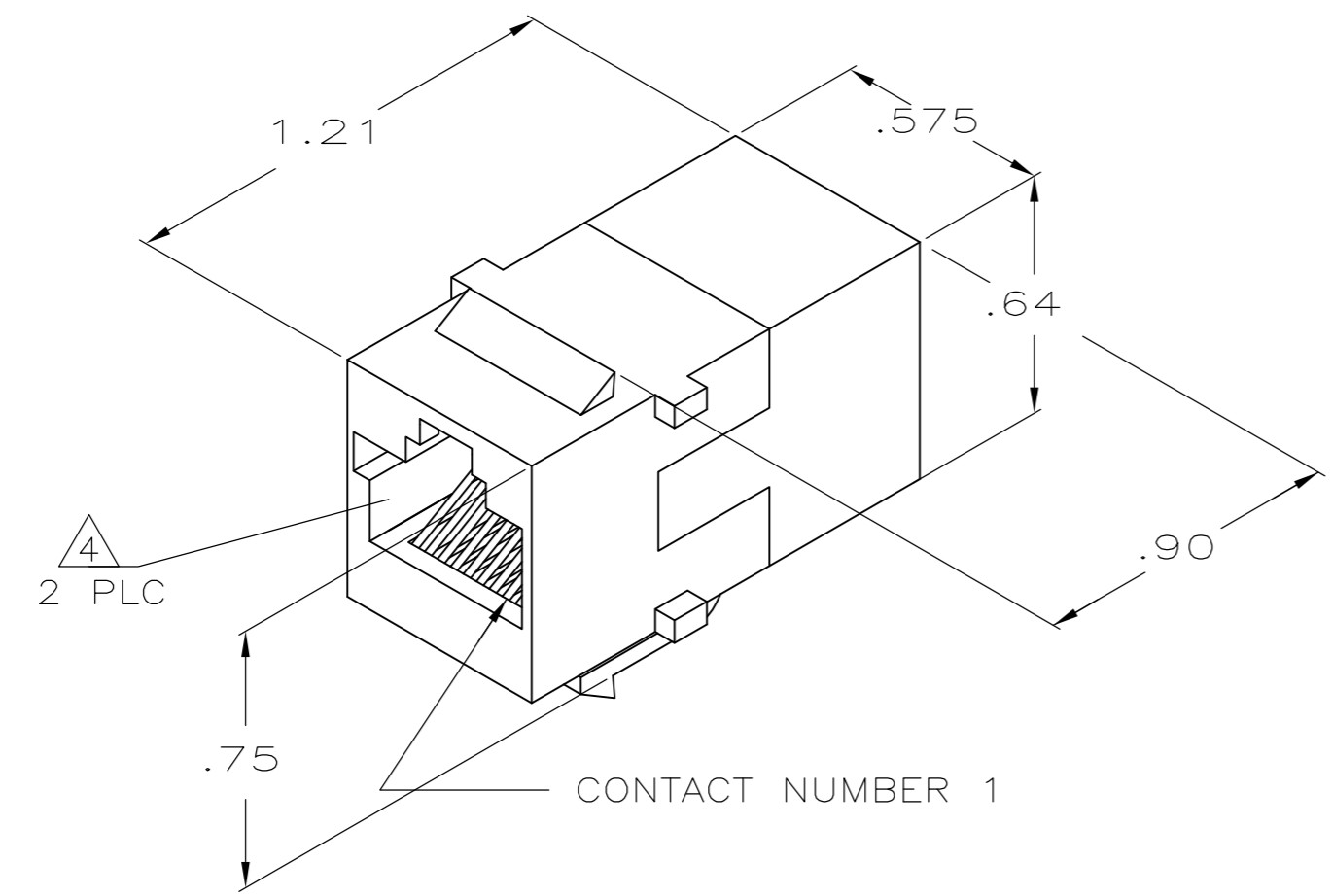


THIS DRAWING IS UNPUBLISHED. RELEASED FOR PUBLICATION
 © COPYRIGHT - By - ALL RIGHTS RESERVED.

LOC		DIST		REVISIONS			
P	LTR	DESCRIPTION		DATE	DWN	APVD	
AA	28	C1	REVISED PER ECO-11-005033		22MAR11	RK	HMR

- ALL DIMENSIONS SHOWN ARE MAXIMUM UNLESS OTHERWISE SPECIFIED.
- MATERIAL:
 HOUSING - POLYPHENYLENE OXIDE, BLACK.
 TERMINAL - .018 DIA PHOSPHOR BRONZE PLATED WITH .000050 MINIMUM THICK GOLD OVER .000050 MINIMUM THICK NICKEL.
- MOUNTING PANEL THICKNESS .062 NOMINAL.
- CAVITIES SHALL CONFORM TO FCC RULES AND REGULATIONS, PART 68, SUBPART F.



RECOMMENDED PANEL CUTOUT FOR SINGLE WALL PLATE AND BACK PANEL FOR DOUBLE WALL PLATE

RECOMMENDED FRONT PANEL CUTOUT FOR DOUBLE WALL PLATE

THIS DRAWING IS A CONTROLLED DOCUMENT.		DWN	LARRY H. SMITH	9-9-87	555376-1		
DIMENSIONS: INCHES		CHK	A.C. CLARK	9-9-87	PART NO		
TOLERANCES UNLESS OTHERWISE SPECIFIED:		APVD	R. NELSON	9-9-87	TE Connectivity		
0 PLC ± -		PRODUCT SPEC	NAME				
1 PLC ± -		APPLICATION SPEC	COUPLER ASSEMBLY, 8 POSITON, IN-LINE KEYED				
2 PLC ± -		WEIGHT	A2 00779		C=555376	RESTRICTED TO	
3 PLC ± -		FINISH	SCALE 2:1 SHEET 1 of 1 REV C1				
4 PLC ± -		ANGLE					
MATERIAL		CUSTOMER DRAWING					

555376