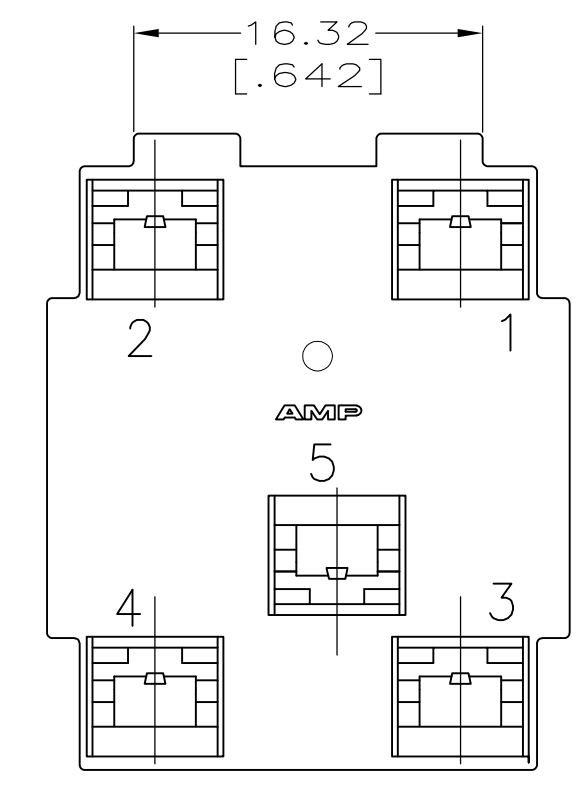
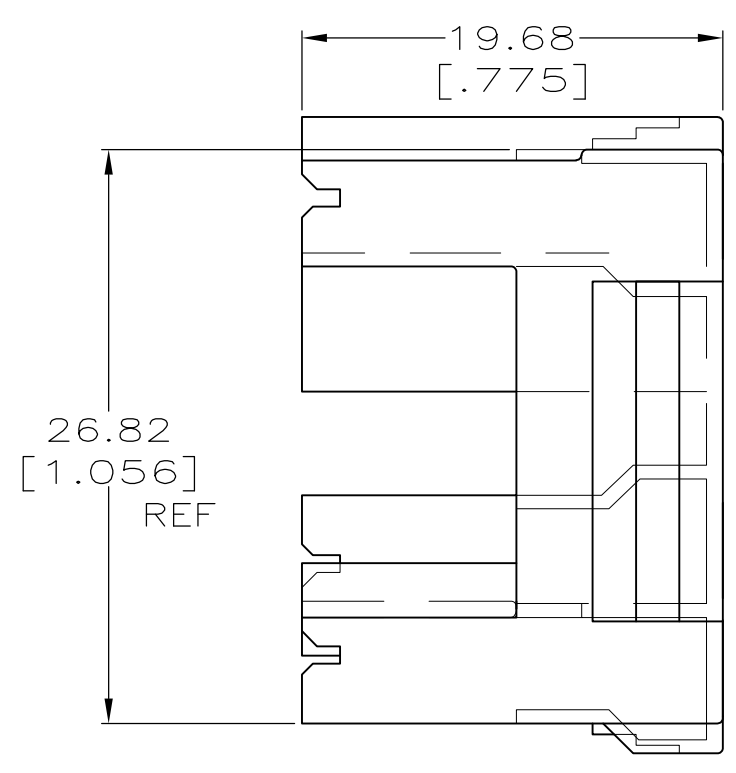
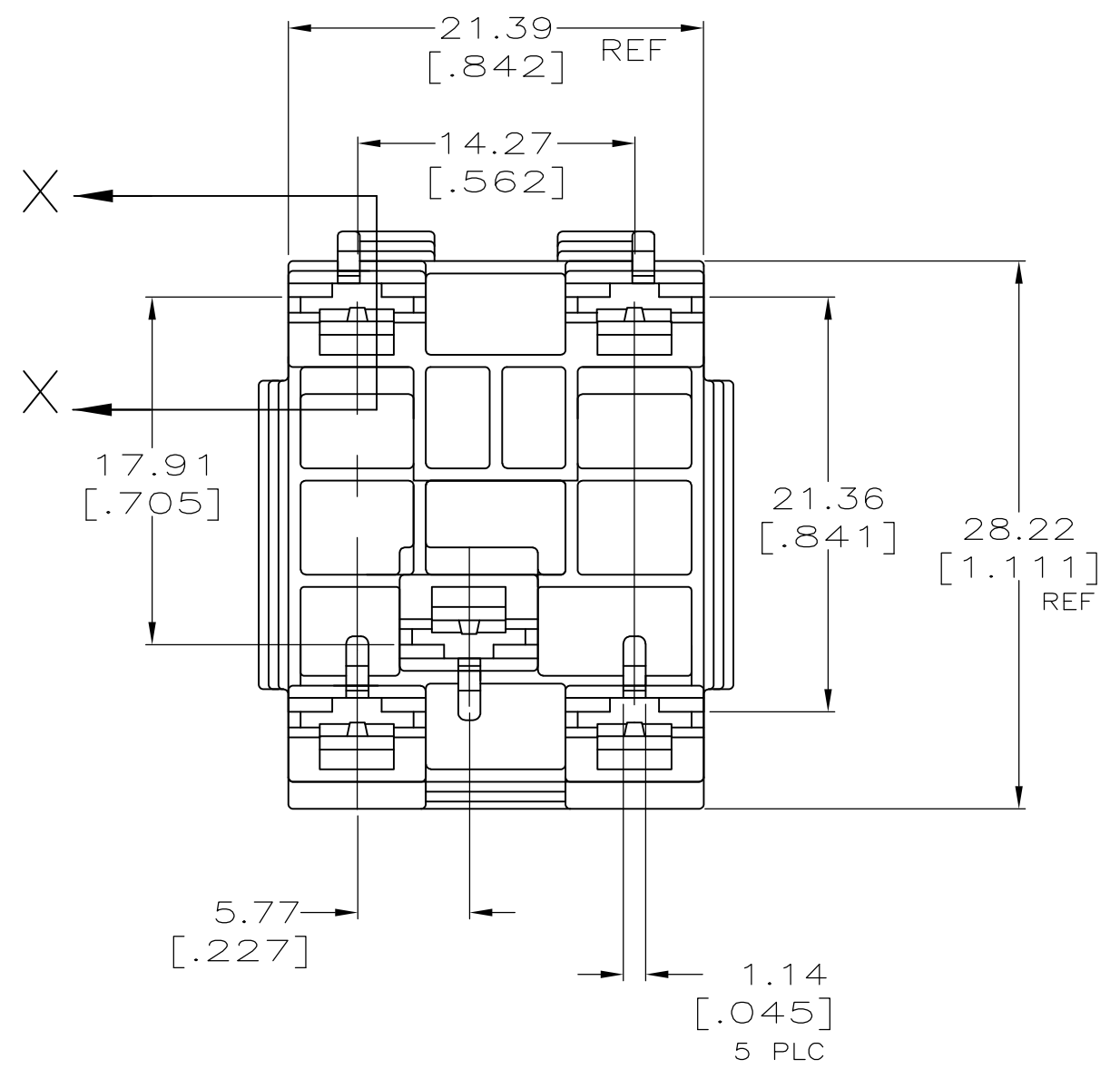
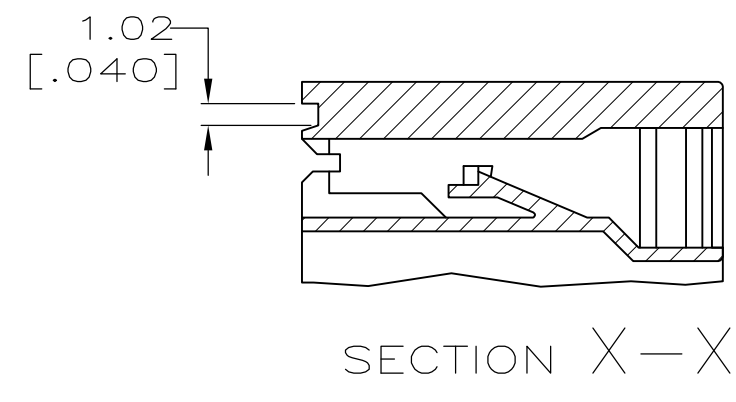


LOC	DIST	REVISIONS					
AF	50	P	LTR	DESCRIPTION	DATE	DWN	APVD
		D3		REVISED PER ECR-08-010239	25APR08	JR	PD

1 PRELIMINARY - NOT FOR PRODUCTION



66/6 NYLON, V0	521001-3
6/66 NYLON, V0	1 521001-2
6/6 NYLON, V2	521001-1
MATERIAL	PART NO.

THIS DRAWING IS A CONTROLLED DOCUMENT.		DWN	JR RUTH	1/28/92	Tyco Electronics Corporation Harrisburg, PA 17105-3608
DIMENSIONS: mm [INCHES]		CHK	MS FEHER	1/28/92	
TOLERANCES UNLESS OTHERWISE SPECIFIED:		APVD	R BEAVER	1/28/92	
0 PLC	± -	NAME		HOUSING, RECEPTACLE, FASTON, 4.78 [.187] SERIES	
1 PLC	± -	PRODUCT SPEC		-	
2 PLC	± 0.25 [.010]	APPLICATION SPEC		-	
3 PLC	± -	SIZE		CAGE CODE	DRAWING NO
4 PLC	± -	WEIGHT		A2	00779
ANGLES	± ± -	FINISH		G-521001	
MATERIAL SEE TABLE		COLOR-NATURAL		CUSTOMER DRAWING	
		SCALE		3:1	SHEET 1 OF 1
		REV		D3	