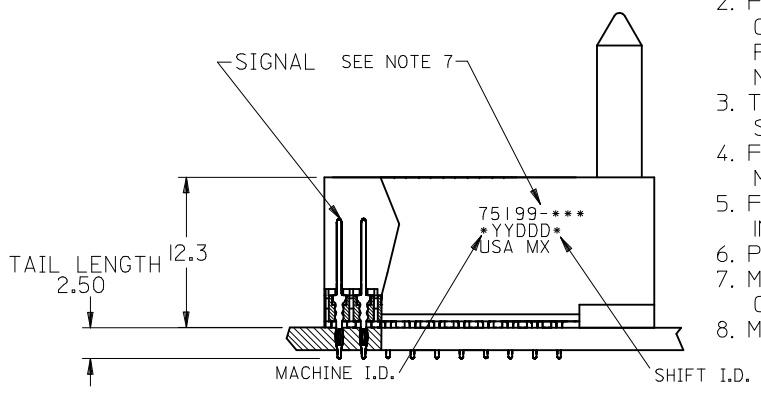
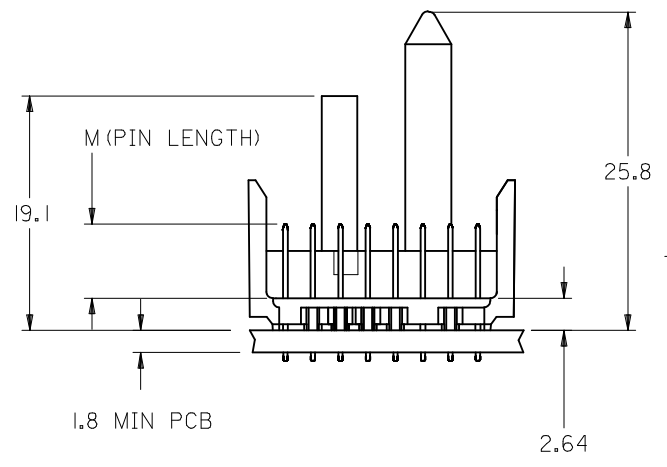


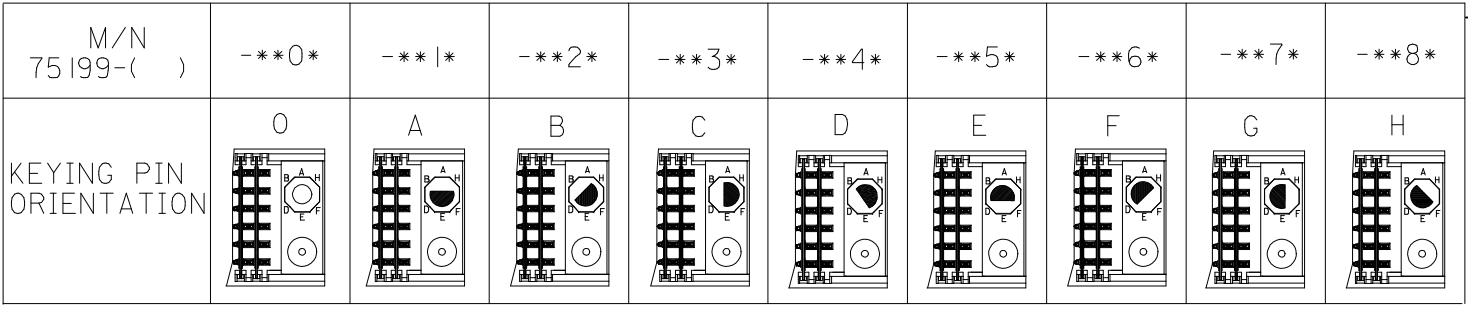
- NOTES:
- MATERIALS:
HOUSING - LIQUID CRYSTAL POLYMER (LCP),
GLASS-FILLED, UL 94V-0, COLOR: BLACK
SIGNAL PIN - COPPER ALLOY
 - FINISHES:
CONTACT AREA: SELECTIVE GOLD (Au)
PCB TAILS: SELECTIVE MATTE TIN (Sn)
NICKEL (Ni) OVERALL.
 - THIS PART CONFORMS TO MOLEX PRODUCT SPECIFICATION PS-74031-999
 - FOR MIXED CONTACT LENGTHS CONSULT MOLEX FOR AVAILABILITY
 - FOR SPECIFIC MATERIAL NUMBERS & MATING INFORMATION REFER TO SHEET 2
 - PACKAGE PER PK-74061-003
 - MARK PART WITH PART NUMBER & DATE CODE APPROXIMATELY WHERE SHOWN
 - MAPS (MOLEX ADVANCED PLATING SYSTEM).



THE PRIMARY CARTON WITH A LABEL STATING "ELV AND RoHS COMPLAINT" IS LEAD FREE. CARTONS WITHOUT THIS LABEL MAY CONTAIN LEAD.

LEAD FREE CONVERSION EC NO: UCP2013-0687 DRAWINGS 2012/08/24 CHKD: MWOLFE 2012/11/20 APPR: SMILLER 2012/12/14 G	QUALITY SYMBOLS $\nabla=0$ $\nabla=0$ $\nabla=0$	GENERAL TOLERANCES (UNLESS SPECIFIED) mm INCH 4 PLACES \pm --- \pm --- 3 PLACES \pm --- \pm --- 2 PLACES \pm --- \pm --- 1 PLACE \pm --- \pm --- 0 PLACE \pm \pm	DIMENSION STYLE MM ONLY DRAWN BY DATE JMELTON 2010/05/19 CHECKED BY DATE SDANNELLEY 2010/05/19 APPROVED BY DATE SMILLER 2010/07/14	SCALE 2.5:1 DESIGN UNITS METRIC THIRD ANGLE PROJECTION	TITLE VHDM LITE 8 ROW SHIELD END BACKPLANE SALES ASSEMBLY molex	MATERIAL NO. SEE SHT.2	DOCUMENT NO. SD-75199-001	SHEET NO. 1 OF 2		
		ANGULAR $\pm 1/2^\circ$ DRAFT WHERE APPLICABLE MUST REMAIN WITHIN DIMENSIONS	THIS DRAWING CONTAINS INFORMATION THAT IS PROPRIETARY TO MOLEX INCORPORATED AND SHOULD NOT BE USED WITHOUT WRITTEN PERMISSION							
		LEAD FREE CONVERSION	QUALITY SYMBOLS	GENERAL TOLERANCES (UNLESS SPECIFIED)	DIMENSION STYLE	SCALE	DESIGN UNITS	MATERIAL NO.	DOCUMENT NO.	SHEET NO.
		EC NO: UCP2013-0687	QUALITY SYMBOLS	GENERAL TOLERANCES (UNLESS SPECIFIED)	DIMENSION STYLE	SCALE	DESIGN UNITS	MATERIAL NO.	DOCUMENT NO.	SHEET NO.

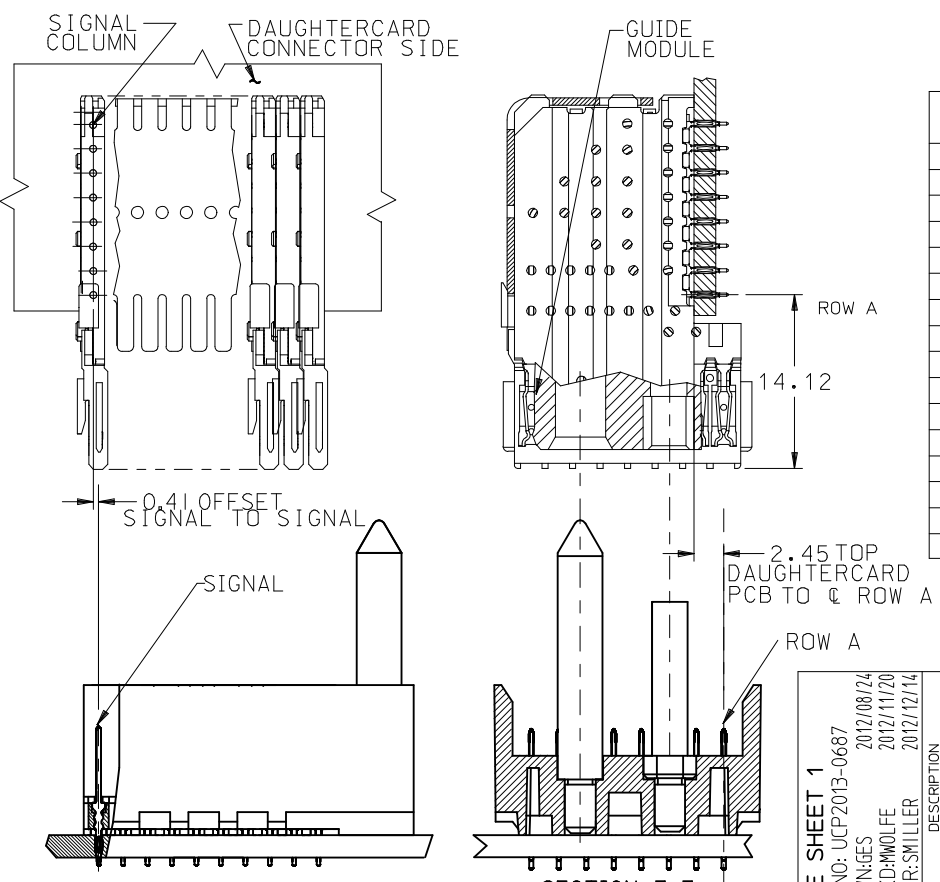
10 9 8 7 6 5 4 3 2 1



75199 - * * * *

NUMBER OF COLUMNS/PLATING
 10 = 10 COLUMN MATTE TIN (FORMERLY TIN/LEAD)
 25 = 25 COLUMN MATTE TIN (FORMERLY TIN/LEAD)
 60 = 10 COLUMN MATTE TIN (MAPS)
 75 = 25 COLUMN MATTE TIN (MAPS)
 90 = 10 COLUMN MATTE TIN
 85 = 25 COLUMN MATTE TIN

CONTACT LOAD (PIN HEIGHT)
 1 = 4.75
 2 = 6.25
 3 = 4.25
 4 = 5.15



PART NUMBER	COLUMN	NUMBER OF SIGNAL PIN	NUMBER OF SHIELD	A	B	M	GOLD THICKNESS MICROMETER	TIN THICKNESS MICROMETER
75199-60*1	10	80	0	27.00	18.00	4.75	0.25 MAPS	0.76-152
75199-*0*1							0.76	
75199-75*1	25	200	0	57.00	48.00	6.25	0.25 MAPS	
75199-*5*1							0.76	
75199-60*2	10	80	0	27.00	18.00	6.25	0.25 MAPS	
75199-*0*2							0.76	
75199-75*2	25	200	0	57.00	48.00	4.25	0.25 MAPS	
75199-*5*2							0.76	
75199-60*3	10	80	0	27.00	18.00	5.15	0.25 MAPS	
75199-*0*3							0.76	
75199-75*3	25	200	0	57.00	48.00	5.15	0.25 MAPS	
75199-*5*3							0.76	
75199-60*4	10	80	0	27.00	18.00	5.15	0.25 MAPS	
75199-*0*4							0.76	
75199-75*4	25	200	0	57.00	48.00	5.15	0.25 MAPS	
75199-*5*4							0.76	

SEE SHEET 1 EC NO: UCP2013-0687 DRWNGES 2012/08/24 CHKD:MMOLFE 2012/11/20 APPR:SMILLER 2012/12/14 REV DESCRIPTION	QUALITY SYMBOLS	GENERAL TOLERANCES (UNLESS SPECIFIED)	DIMENSION STYLE	SCALE	DESIGN UNITS	THIRD ANGLE PROJECTION
	$\nabla Z=0$ $\nabla E=0$ $\nabla F=0$	4 PLACES \pm --- \pm --- 3 PLACES \pm --- \pm --- 2 PLACES \pm --- \pm --- 1 PLACE \pm --- \pm --- 0 PLACE \pm \pm	MM ONLY	2.5:1	METRIC	
		ANGULAR $\pm 1/2^\circ$ DRAFT WHERE APPLICABLE MUST REMAIN WITHIN DIMENSIONS	DRAWN BY DATE JMELTON 2010/05/19 CHECKED BY DATE SDANNELLEY 2010/05/19 APPROVED BY DATE SMILLER 2010/07/14	TITLE VHDM LITE 8 ROW SHIELD END BACKPLANE SALES ASSEMBLY		
			MATERIAL NO. SEE TABLE	DOCUMENT NO. SD-75199-001	SHEET NO. 2 OF 2	