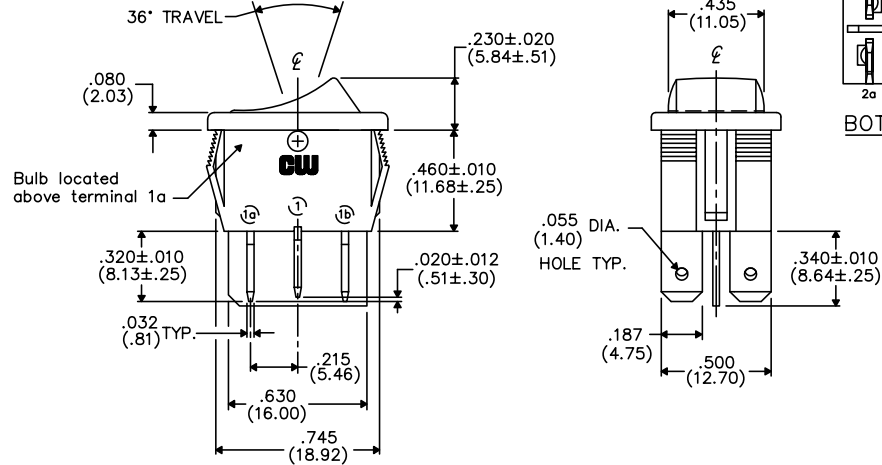
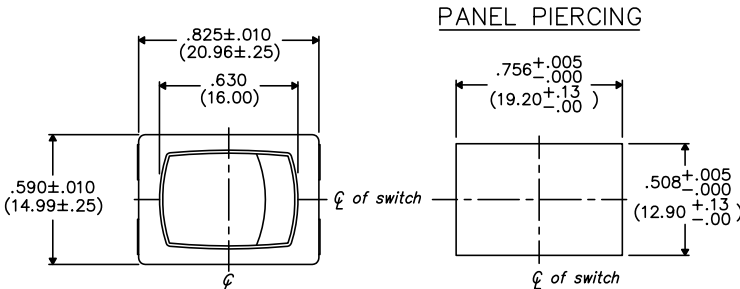
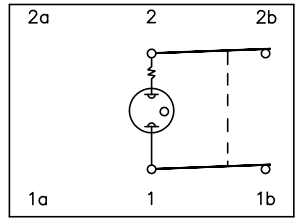
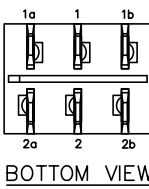


THIS INFORMATION IS CONFIDENTIAL AND PROPRIETARY TO CW INDUSTRIES INCORPORATED AND ITS AFFILIATES. IT MAY NOT BE DISCLOSED TO ANYONE OTHER THAN CW INDUSTRIES PERSONNEL, WITHOUT WRITTEN AUTHORIZATION FROM CW INDUSTRIES INCORPORATED, SOUTHAMPTON, PENNSYLVANIA USA.

E  
D  
C  
B  
A



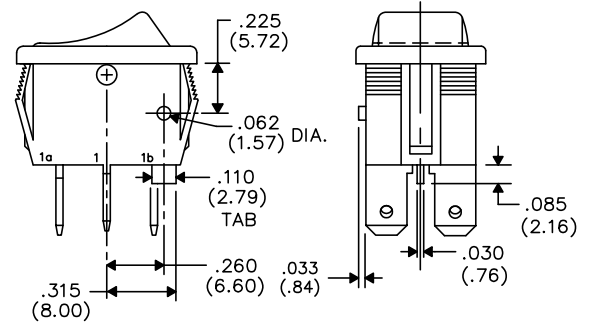
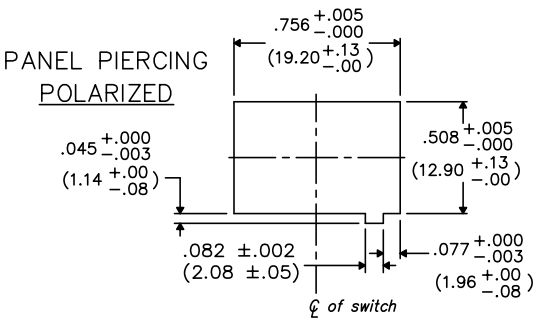
- TERMINAL OPTIONS:**
- .187" (4.75mm) x .032" (.81mm) Solderless
  - .110" (2.79mm) x .032" (.81mm) Solderless
  - .187" (4.75mm) x .020" (.51mm) Solderless
  - .110" (2.79mm) wide with .048" (1.22mm) x .237" (6.02mm) Slot for Soldering



WIRING DIAGRAM SHOWING INTERNAL LAMP CONNECTIONS.

DIMENSIONS IN INCHES (MILLIMETERS)  
DO NOT SCALE DRAWING ..... Dwg. No. GRL-4022-XXXX

**MOUNTING PANEL THICKNESS**  
Standard—.050" (1.27mm) to .150" (3.81mm).  
Optional Mounting Claws for Custom Panel thickness are available.



TAB AND POLARIZATION OPTIONS

B-FORMAT 2002

REVISIONS

1 2 3 4 5 6 7 8 9 10

**CW INDUSTRIES**  
Southampton, Pa. 18966

TOLERANCES UNLESS OTHERWISE SPECIFIED  
2 Place Decimal ±.010 METRIC  
3 Place Decimal ±.005 1 Place Dec. ±.25mm  
Angles ..... ±1° 2 Place Dec. ±.13mm

Made for: CW IND.  
Drawn by: DGW 10-28-2010  
Checked by:  
Approval:

Title: LIGHTED  
ROCKER SWITCH  
ASSEMBLY  
D.P./D.T.  
Division: SWITCH

Dwg. No. GRL-4022-XXXX