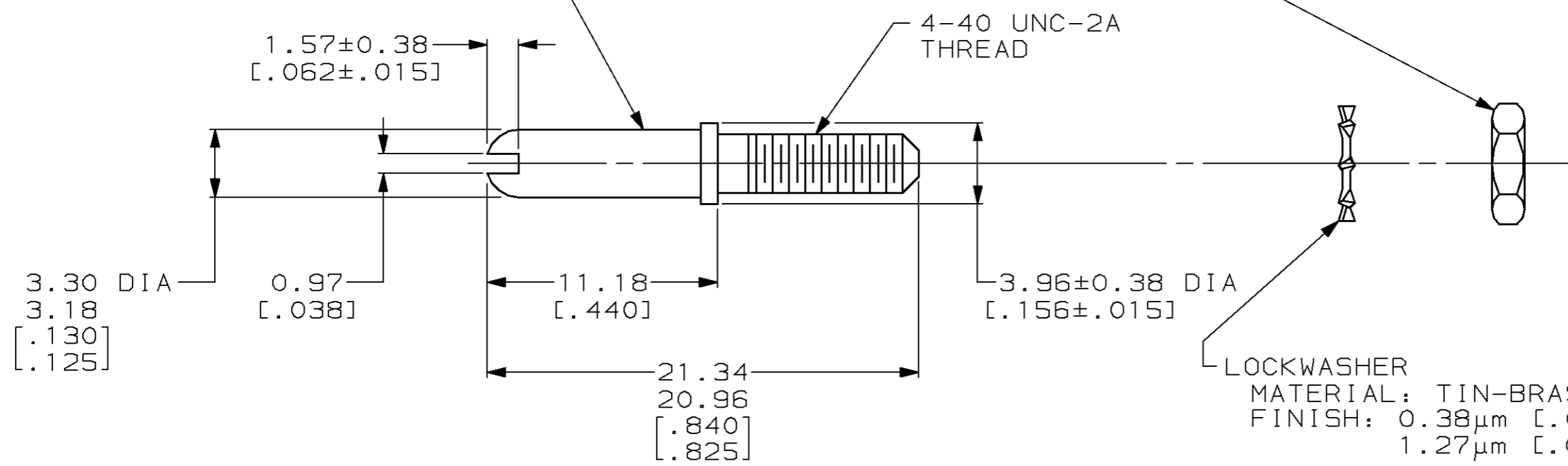


LOC	DIST	REVISIONS					
BD	36	P	LTR	DESCRIPTION	DATE	DWN	APVD
		B		REDRAWN PER EC 0020-1246-95	20 NOV 95	-	-

CORNER GUIDE PIN
 MATERIAL: BRASS
 FINISH: 0.38µm [.000015] MIN GOLD OVER
 1.27µm [.000050] MIN NICKEL

HEX NUT
 MATERIAL: BRASS
 FINISH: 0.38µm [.000015] MIN GOLD OVER
 1.27µm [.000050] MIN NICKEL

LOCKWASHER
 MATERIAL: TIN-BRASS ALLOY
 FINISH: 0.38µm [.000015] MIN GOLD OVER
 1.27µm [.000050] MIN NICKEL



202514-1
 PART NUMBER

THIS DRAWING IS A CONTROLLED DOCUMENT FOR AMP INCORPORATED. IT IS SUBJECT TO CHANGE AND THE CONTROLLING ENGINEERING ORGANIZATION SHOULD BE CONTACTED FOR THE LATEST REVISION.		DWN C. DORWART 20 NOV 95	AMP AMP Incorporated Harrisburg, PA 17105-3608
DIMENSIONS: mm [INCHES]		CHK R. STONE 15 DEC 95	
TOLERANCES UNLESS OTHERWISE SPECIFIED: 0 PLC ±- 1 PLC ±- 2 PLC ±0.13 [.005] 3 PLC ±- 4 PLC ±- ANGLES ±-		APVD G. STEINHAUER 18 JAN 96	NAME CORNER GUIDE PIN KIT, UNASSEMBLED, M SERIES
MATERIAL SEE CALLOUTS		FINISH SEE CALLOUTS	PRODUCT SPEC - APPLICATION SPEC - SIZE A3
		WEIGHT -	CAGE CODE 00779
		CUSTOMER DRAWING	DRAWING NO C-202514
		SCALE 4:1	SHEET 1 OF 1
			REV B