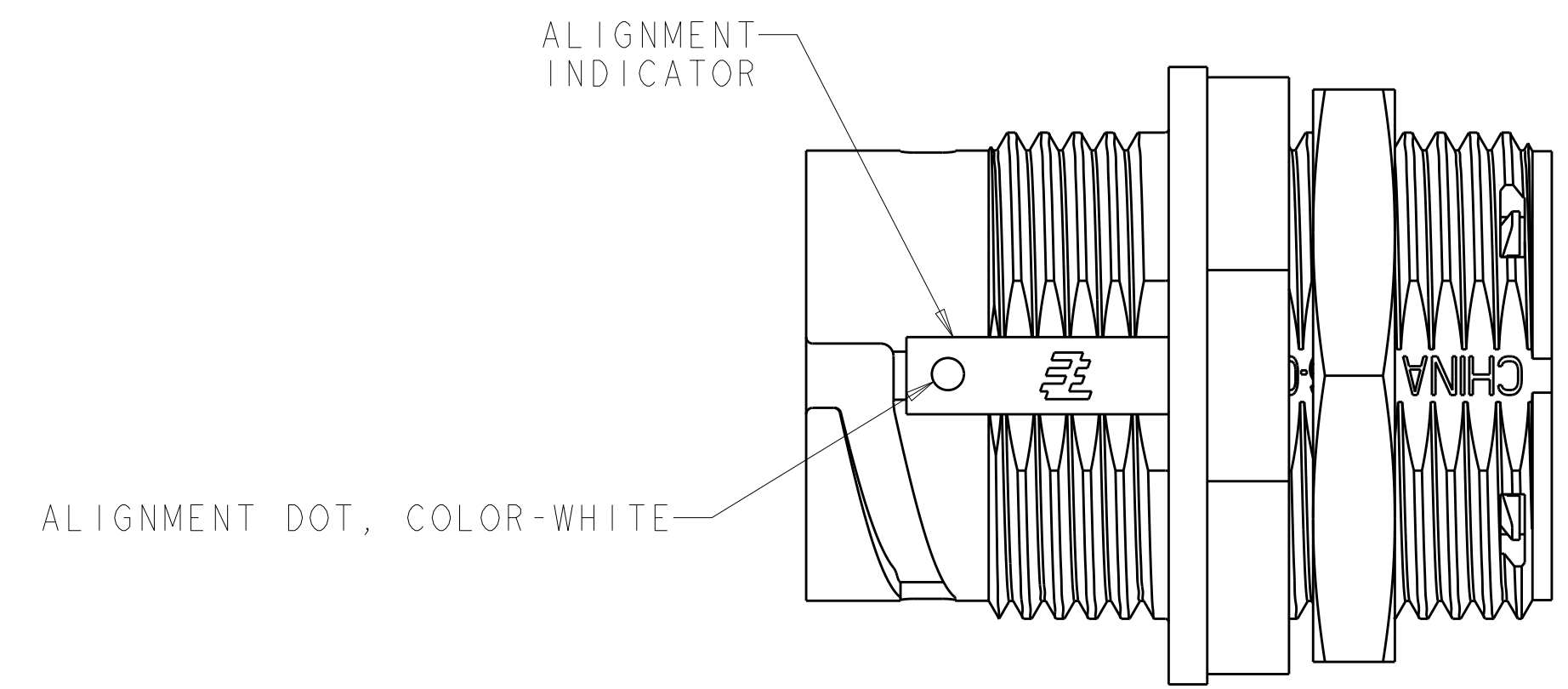
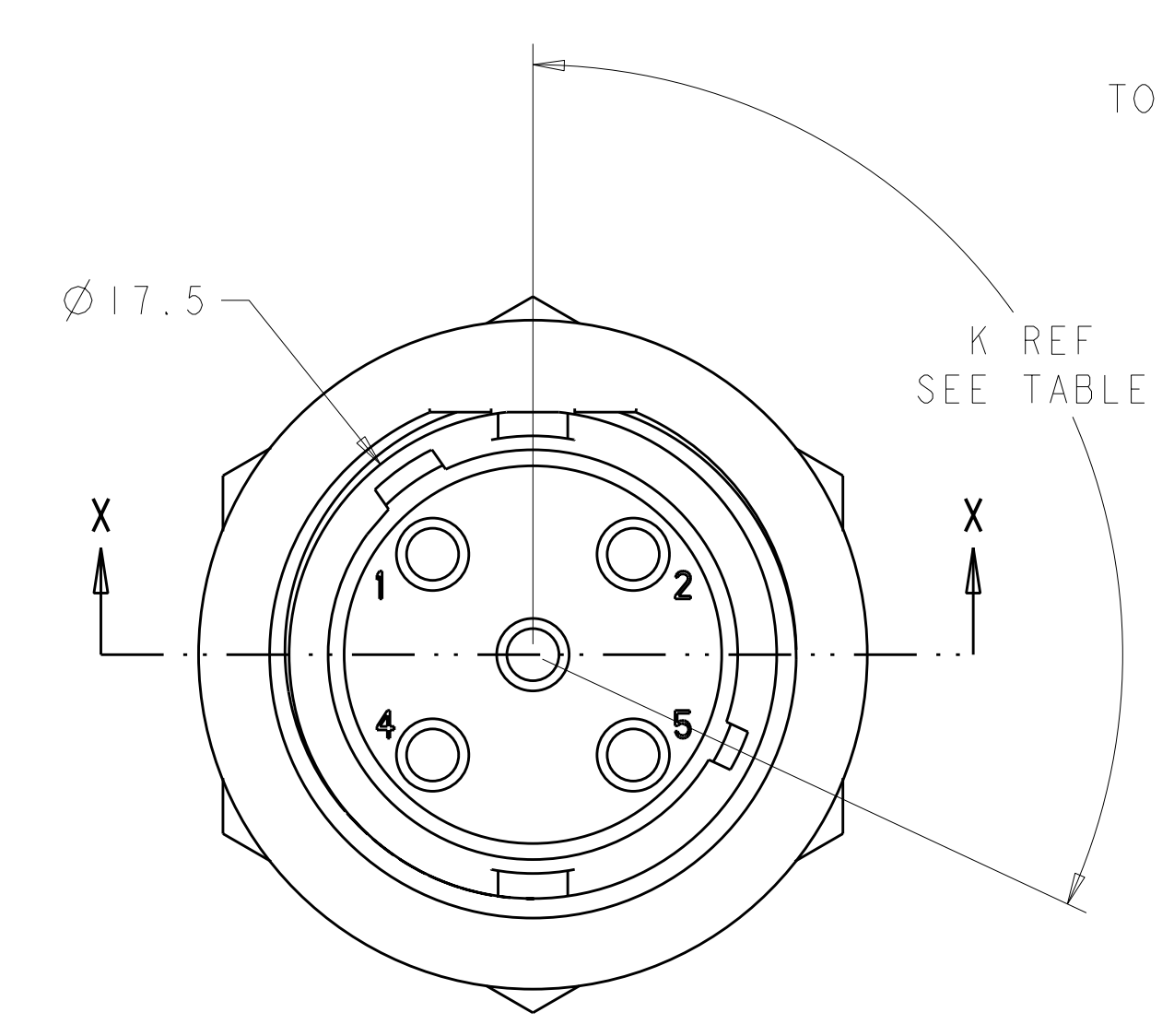


LOC	DIST	REV	DATE	BY	APP'D
FT	0	B1	23OCT2010	HMR	MG

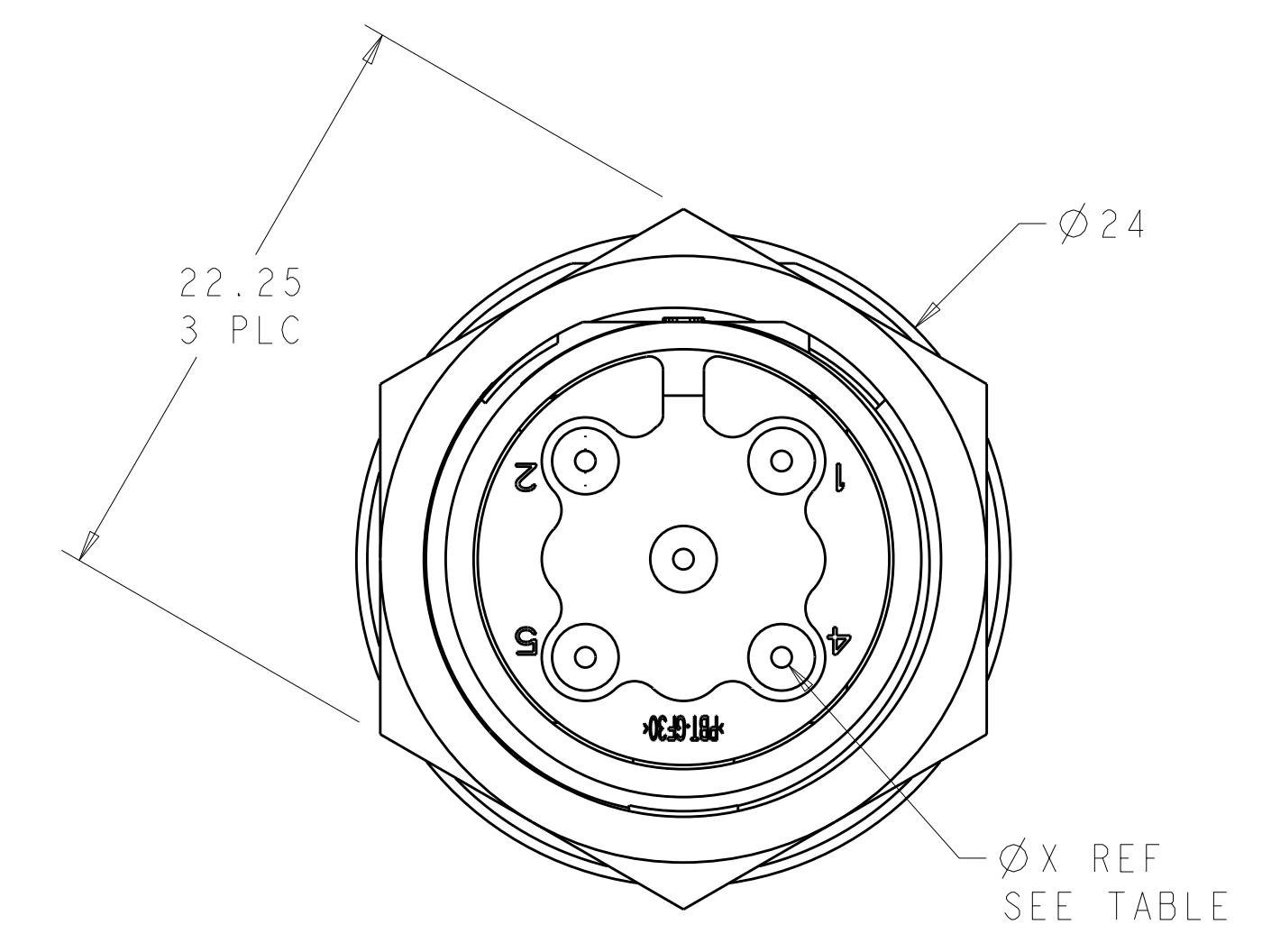
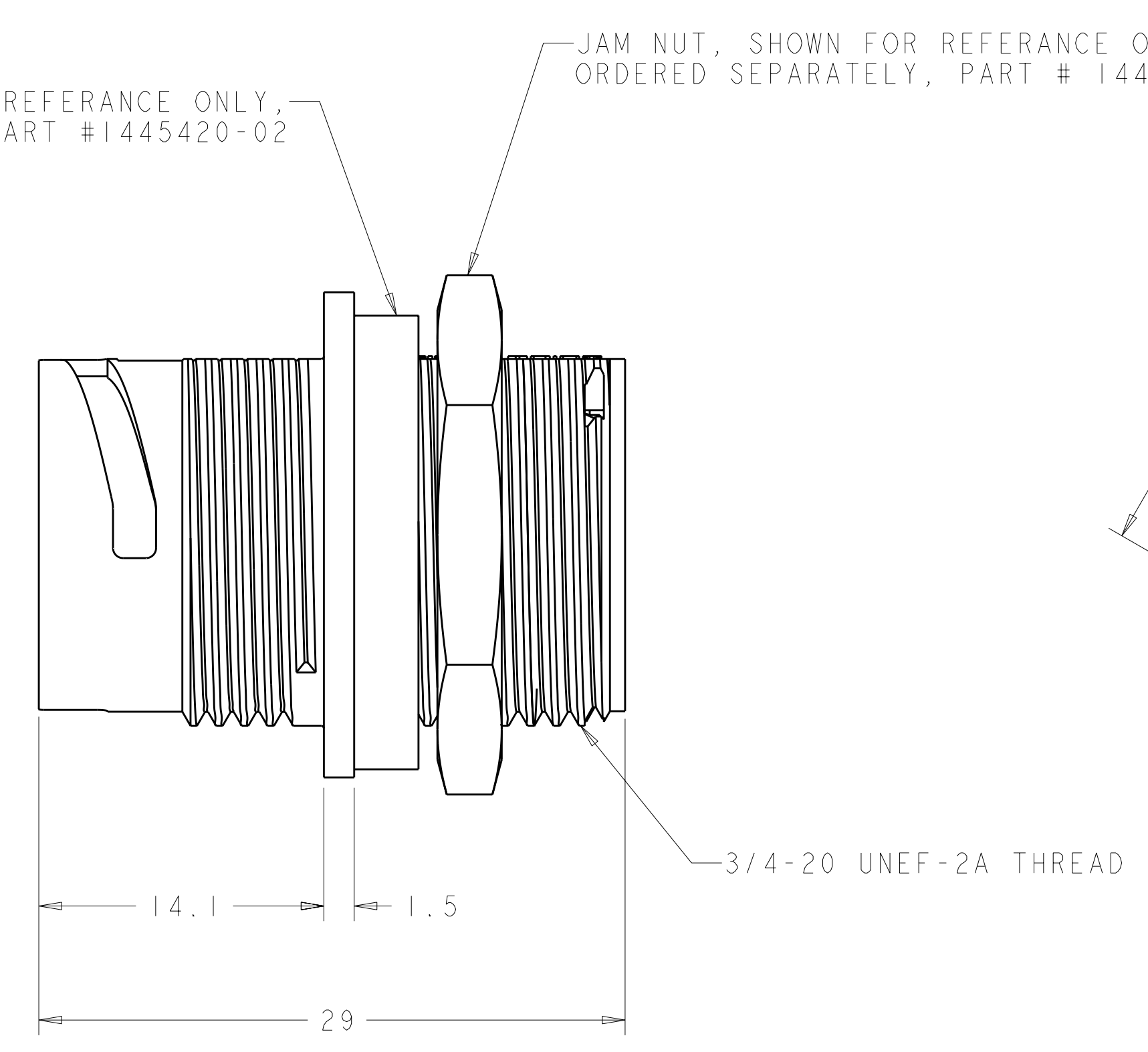


QUALIFICATION TEST PENDING

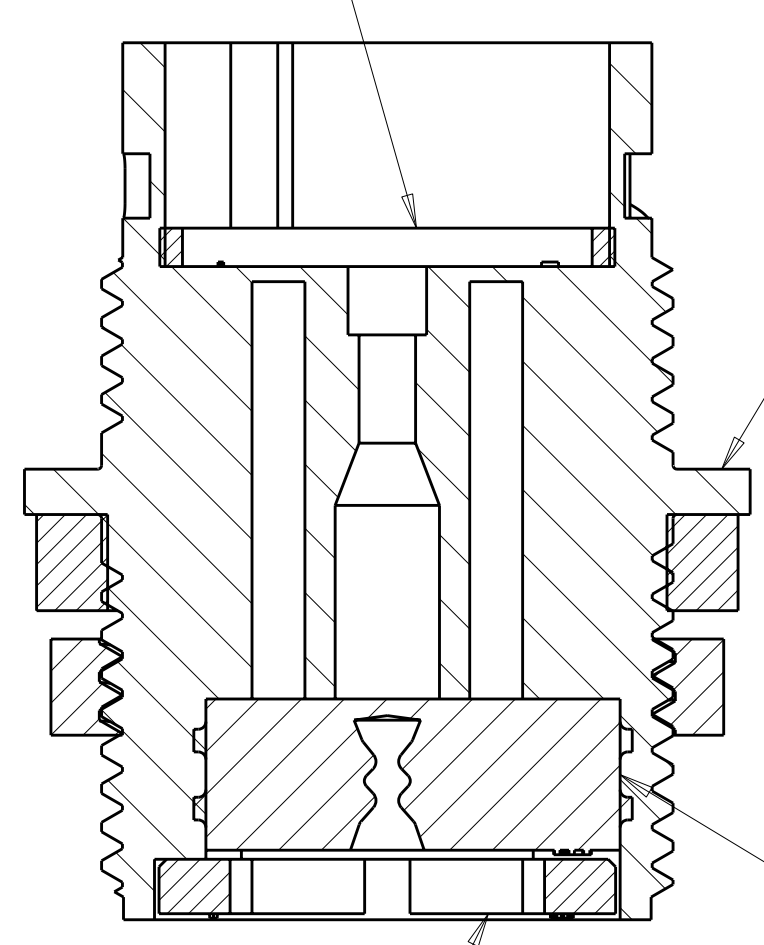


SEAL, PANEL; SHOWN FOR REFERENCE ONLY, TO BE ORDERED SEPARATELY, PART # 1445420-02

JAM NUT, SHOWN FOR REFERENCE ONLY, TO BE ORDERED SEPARATELY, PART # 1445904-1



SEAL, PERIPHERAL, 1 REQD.
 MATERIAL: ELASTOMER, COLOR-GRAY



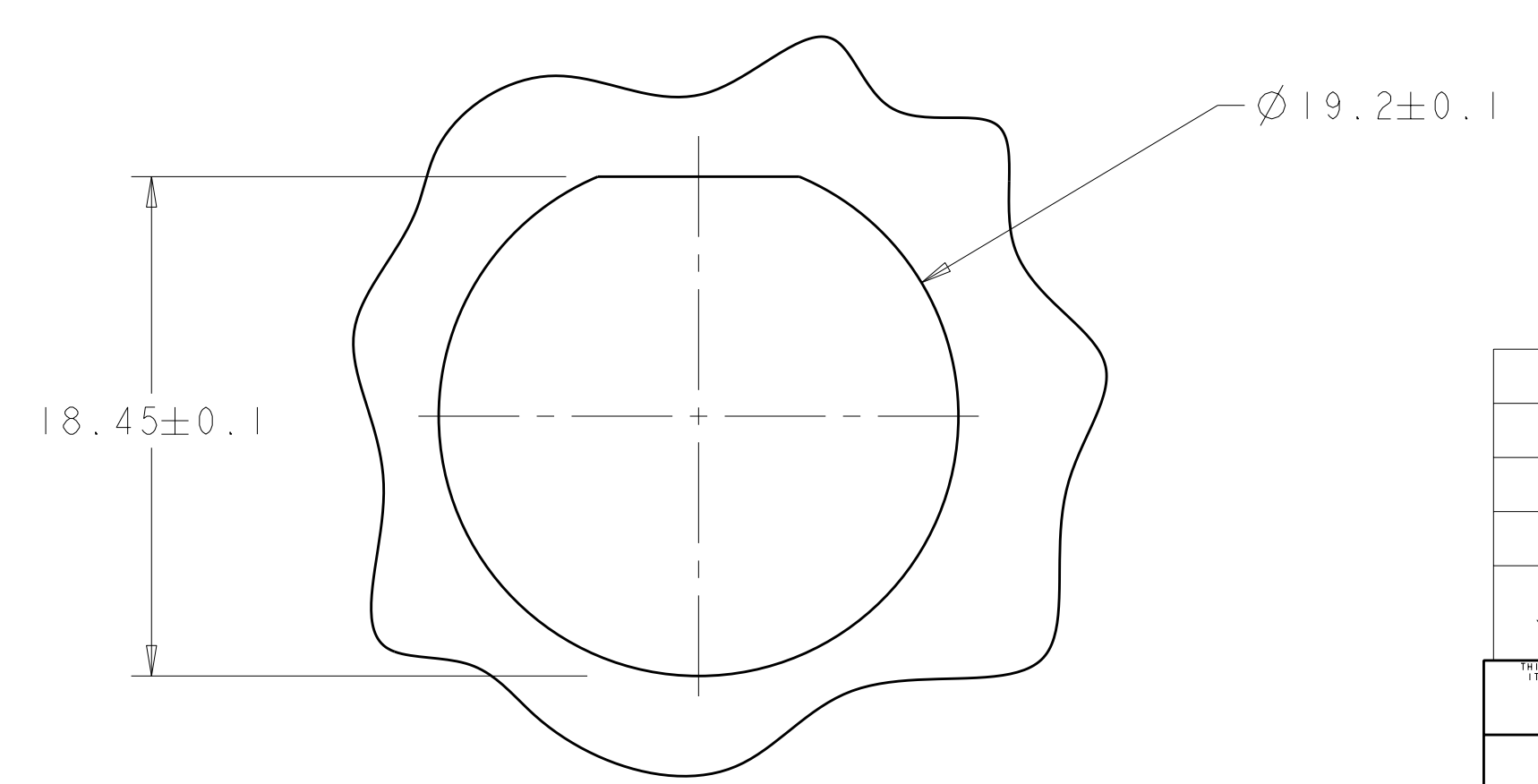
HOUSING, 1 REQD.
 MATERIAL: THERMOPLASTIC, COLOR-BLACK

SEAL, WIRE ENTRY, 1 REQD.
 MATERIAL: ELASTOMER, COLOR-SEE TABLE

RETAINER, SEAL, 1 REQD.
 MATERIAL: THERMOPLASTIC, COLOR-BLACK

SECTION X-X

1. CONNECTOR CAN BE FRONT OR REAR PANEL MOUNTED.
 △ MAX PANEL THICKNESS - 3.18



SEAL, WIRE ENTRY COLOR	Ø X REF	K REF	PART NUMBER
YELLOW	Ø 0.75	135°	1445824-04
NATURAL	Ø 1.5	115°	1445824-03
NATURAL	Ø 1.5	135°	1445824-02
YELLOW	Ø 0.75	115°	1445824-01

DIMENSIONS: mm 		TOLERANCES UNLESS OTHERWISE SPECIFIED: 0 PLC ± 1 PLC ±0.13 2 PLC ± 3 PLC ± 4 PLC ± ANGLES ±		DWN SHANE WUEST 15OCT2001 CHK G DOUTY 15OCT2001 APVD H WAKEEM 13JUN2003		Tyco Electronics Harrisburg, PA 17105-3608	
MATERIAL SEE CALLOUT		FINISH SEE CALLOUT		WEIGHT CUSTOMER DRAWING		NAME ASSEMBLY, RECEPTACLE, SIZE 11, 5 POSITION, PANEL MOUNT, SEALED, MINI CPC SIZE CAGE CODE DRAWING NO RESTRICTED TO A11 00779 C=1445824	
SCALE 4:1				SHEET 1 OF 1		REV B1	