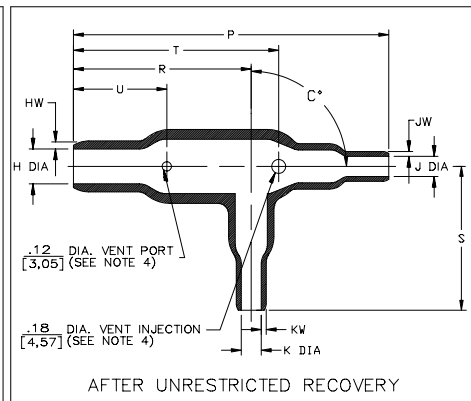
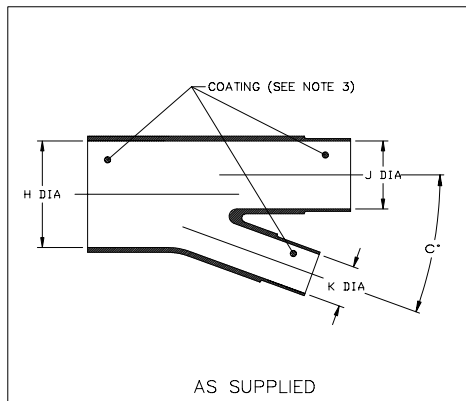


Molded Parts Specification Control Drawing

Part Number : 322A012 thru 037
Description : Transition 90° Side Breakout

NOTES

- All dimensions are in $\frac{\text{inches}}{\text{[millimeters]}}$ $\frac{\text{lbs}}{\text{[gms]}}$
- Dimensions appearing in table are as follows:
a - As Supplied
b - After Unrestricted Recovery
- Coating is optional. As supplied dimensions appearing in table are for uncoated parts. When coating is added, entry diameters will be reduced by .06 max.
- Molding parts are optional. When -00 modification number is specified molding parts will be located as shown.
- Weight appearing in table of dimensions is based on polyolefin part.



PART NUMBER	H		J & K		P	R	S	T	U	HW	JW&KW	C*		Weight Nom b
	Min a	Max b	Min a	Max b								±10% a	±5% b	
322A012	.52 [13,2]	.29 [7,4]	.26 [6,6]	.15 [3,8]	2.20 [55,9]	1.30 [33,0]	.76 [19,3]	1.57 [39,9]	.85 [21,6]	.06 [1,52]	.04 [1,02]	10°	90°	.007 [3,2]
322A024	1.06 [26,9]	.52 [13,2]	.52 [13,2]	.26 [6,6]	3.82 [97,0]	2.12 [53,8]	1.52 [38,6]	2.59 [65,8]	1.43 [36,3]	.10 [2,54]	.06 [1,52]	10°	90°	.035 [15,9]
322A037	2.19 [55,6]	1.07 [27,2]	1.06 [26,9]	.52 [13,2]	7.80 [198,1]	4.38 [111,3]	3.06 [77,7]	5.14 [130,6]	2.91 [73,9]	.18 [4,57]	.10 [2,54]	10°	90°	.283 [128,4]

tyco/Electronics/Raychem

TYCO ELECTRONICS
307 CONSTITUTION DRIVE
MENLO PARK, CALIFORNIA 94025

Revision : R
Date : 11/2/01

Part Number : 322A012 thru 037
Description : Transition 90° Side Breakout

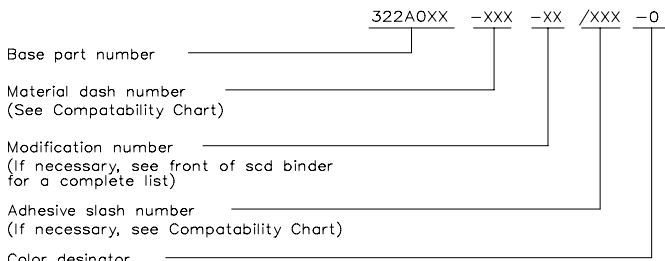
Molded Parts Specification Control Drawing

Part Number : 322A012 thru 037
Description : Transition 90° Side Breakout

MATERIAL DASH NO.	MATERIAL DESCRIPTION	RT SPEC	COATING SLASH NO.	COATING S NO.	COATING DESCRIPTION
-3	Polyolefin, Semi-rigid	RT-301	/42;/86	S-1017;S-1048	Adhesive
-4	Polyolefin, Flexible	RT-1304	/42;/86	S-1017;S-1048	Adhesive
-5	Elastomer, Flexible	RT-501	N/A		
-6	Silicone	RT-602	N/A		
-12	*VITON, Flexible	RT-1312	N/A		
-25	Elastomer, Fluid Resistant	RT-1325	/86	S-1048	Adhesive
-52	Polyolefin, Nuclear Molding Compound	RT-1508	N/A		
-100	Polyolefin, Semi-flexible ZEROHAL™	RT-1323	/86	S-1048	Adhesive

*VITON is a Registered Trademark of Dupont

ORDERING INFORMATION



THIS DRAWING IS SUBJECT TO CHANGE WITHOUT NOTICE; CONSULT YOUR NEAREST FIELD REPRESENTATIVE FOR CURRENT REVISION

If this document is printed it becomes uncontrolled.
Check for the latest revision.

tyco/Electronics/Raychem

TYCO ELECTRONICS
307 CONSTITUTION DRIVE
MENLO PARK, CALIFORNIA 94025

Revision : R
Date : 11/2/01

Part Number : 322A012 thru 037
Description : Transition 90° Side Breakout

CAD FILE MP01105