

Aug.1.2018 Copyright 2018 HIROSE ELECTRIC CO., LTD. All Rights Reserved.
 In case that the application demands a high level of reliability, such as automotive,
 please contact a company representative for further information.

1 2 3 4

A

B

C

D

E

F

A

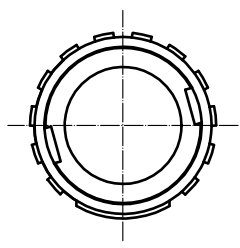
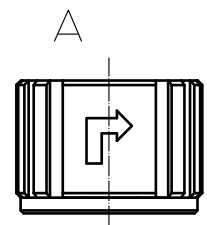
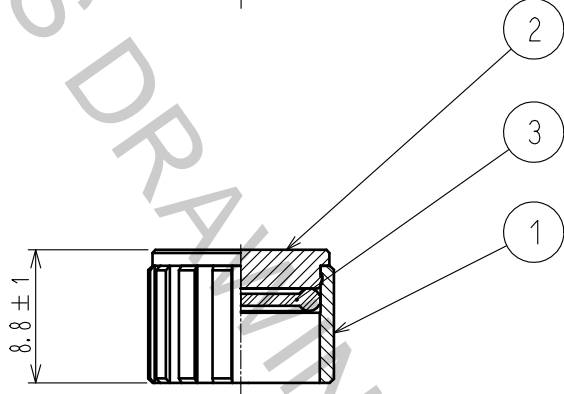
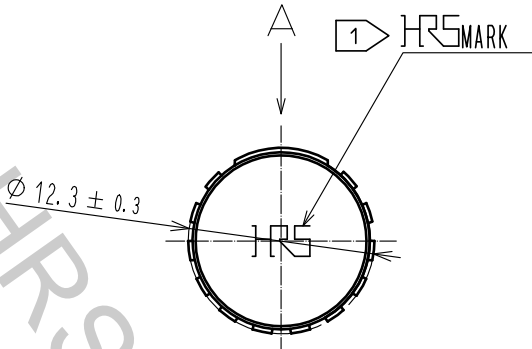
B

C

D

E

F



NOTES 1 ROTATION EXAMPLES OF HRS MARK ARE SHOWN.
 2 THIS PRODUCT IS A CAP FOR LF07WBR※-※(※).
 IT IS APPLICABLE REGARDLESS OF GIVEN ALPHABETS OR NUMBERS SHOWN AT ※.

2	BRASS	NICKEL PLATING						
1	ZINC ALLOY	NICKEL PLATING	3	ACRYLONITRILE BUTADIENE RUBBER (BLACK)				
NO.	MATERIAL	FINISH .	REMARKS	NO.	MATERIAL	FINISH .	REMARKS	
	UNITS mm		SCALE 2 : 1		DESCRIPTION OF REVISIONS	DESIGNED	CHECKED	DATE
HIROSE ELECTRIC CO., LTD.		APPROVED	HY. KOBAYASHI	18.02.22	DRAWING NO.	EDC-118048-31-00		
		CHECKED	HY. KOBAYASHI	18.02.22	PART NO.	LF07WBR-C(31)		
		DESIGNED	TY. SUZUKI	18.02.22	CODE NO.	CL136-3008-7-31		
		DRAWN	HM. SAITO	18.02.20				
							1/1	