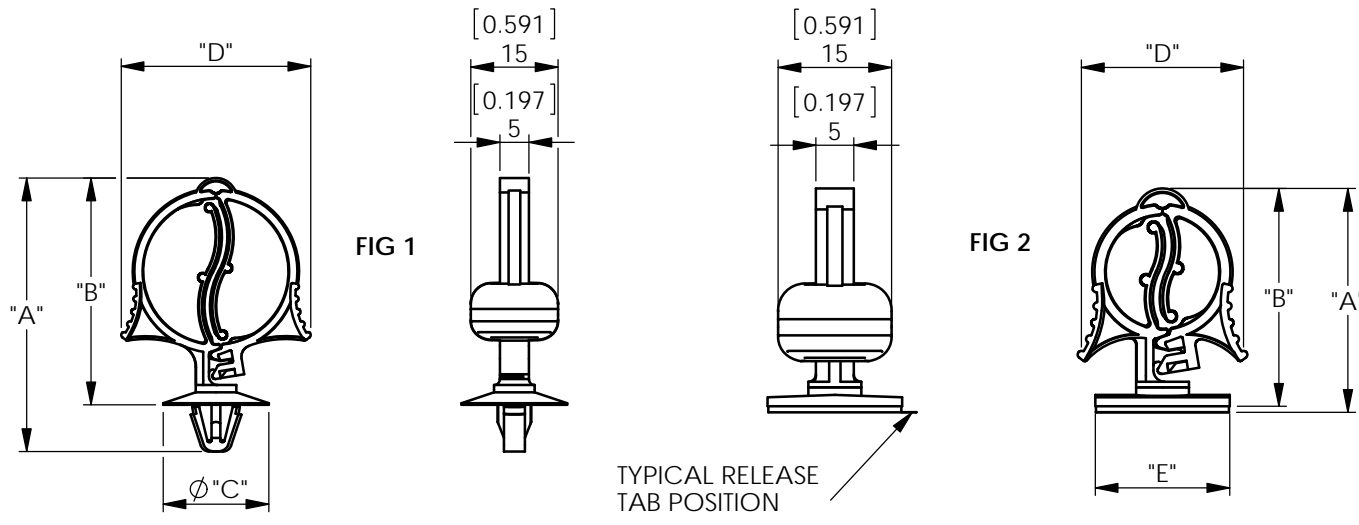


REV.	MODIFICATION.	DATE	DRN
01	PRODUCTION RELEASE	31/01/12	SF
02	CO2011263	23/05/12	SF

PART No.		FIG	"A" REF	"B" MAX	"C" REF	"D" REF	"E" REF	MOUNTING HOLE	PANEL THICKNESS	CABLE BUNDLE
MATERIAL: NYLON 6/6 UL94 V-2(RMS-01) COLOUR: NATURAL	MATERIAL: NYLON 6/6 UL94 V-2 UV STABILIZED(RMS-46) COLOUR: BLACK									
WCC1-1-01	WCC1-1-UVB	1	35[1.377]	28[1.102]	16[.629]	23[0.905]	-	Ø 4 - 4.8[.157 - .189]	0.5 - 1.6[.019 - .063]	Ø 3 - Ø 7.9[.118 - .311]
WCC1-2-01	WCC1-2-UVB		40[1.574]	31[1.220]		27[1.062]				Ø 3 - Ø 9.5[.118 - .374]
WCC1-3-01	WCC1-3-UVB		45[1.771]	37[1.456]		33[1.299]				Ø 3 - Ø 12.7[.118 - .500]
WCC2-1-01	WCC2-1-UVB	1	32[1.259]	28[1.102]	18.4[.724]	23[0.905]	-	Ø 6 - 6.8[.236 - .267]	0.5 - 2.5[.019 - .098]	Ø 3 - Ø 7.9[.118 - .311]
WCC2-2-01	WCC2-2-UVB		37[1.456]	31[1.220]		27[1.062]				Ø 3 - Ø 9.5[.118 - .374]
WCC2-3-01	WCC2-3-UVB		42[1.653]	37[1.456]		33[1.299]				Ø 3 - Ø 12.7[.118 - .500]
WCC3-1-01A4-RT	-	2	28[1.102]	27[1.062]	-	23[0.905]	17.8 [0.700]	-	-	Ø 3 - Ø 7.9[.118 - .311]
WCC3-2-01A4-RT	-		32[1.269]	31[1.220]		27[1.062]				Ø 3 - Ø 9.5[.118 - .374]
WCC3-3-01A4-RT	-		38[1.496]	37[1.456]		33[1.299]				25.4[1]

PARTS AVAILABLE IN NYLON 6/6 UL94 V-0(RMS-19) MATERIAL BY SPECIAL ORDER, COLOUR: NATURAL. OTHER COLOURS AVAILABLE BY SPECIAL ORDER.

ALTERNATE UNITS FOR REFERENCE ONLY



INFORMATION CONTAINED IN THIS DOCUMENT IS CONFIDENTIAL TO RICHCO INTERNATIONAL Co. Ltd. AND MAY NOT BE DISCLOSED OR REPRODUCED IN WHOLE OR PART WITHOUT THEIR WRITTEN CONSENT.					
RICHCO, INC. WWW.RICHCO-INC.COM			ALL DIMENSIONS IN mm GENERAL TOLERANCES ±0.25 UNLESS OTHERWISE STATED 1 DECIMAL PLACE ±0.25 2 DECIMAL PLACES ± 0.10 ANGULAR ±1°		THIRD ANGLE
MATERIAL: SEE TABLE			COLOUR: SEE TABLE		
DESCRIPTION: WEBBED CENTRING CLIP			PART No: SEE TABLE		
DRG No: 012-005		PROJECT NUMBER: EU12-0020		Mass:(g) 1.5	SHEET SIZE A4
DRN SF	DATE 31/01/12	CHKD DT	DATE 31/01/12	SCALE NTS	SHEET No. 1 OF 1