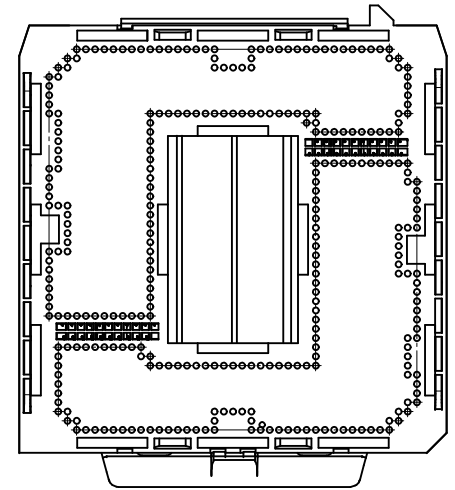


- NOTES:
- MATERIAL:
 - HOUSING AND CAP: HIGH TEMPERATURE THERMOPLASTIC, UL94V-0, BLACK COLOR
 - CONTACT: HIGH STRENGTH COPPER ALLOY
 - SOLDER BALL: LEAD FREE SnAg3.0Cu0.5
 - PLATING:
 - 50μ" NICKEL AT PADDLE AND CONTACT AREA.
 - GOLD PLATING THICKNESS AT CONTACT AREA REFER TO TABLE.
 - DATE CODE "YMD**" IS DEFINED AS:
 - "YEAR/MONTH/DAY/MOLEX INTERNAL".
 - PRODUCT SPECIFICATION PS-47596-* APPLIES.
 - PACKAGING SPECIFICATION PK-47596-001 APPLIES.
 - ALL PART NUMBERS COMPLIANT TO RoHS DIRECTIVE 2002/95/EC AND ELV DIRECTIVE 2000/53/EC.
 - "XXX" IS FOR CAVITY # (MOLEX INTERNAL USE)



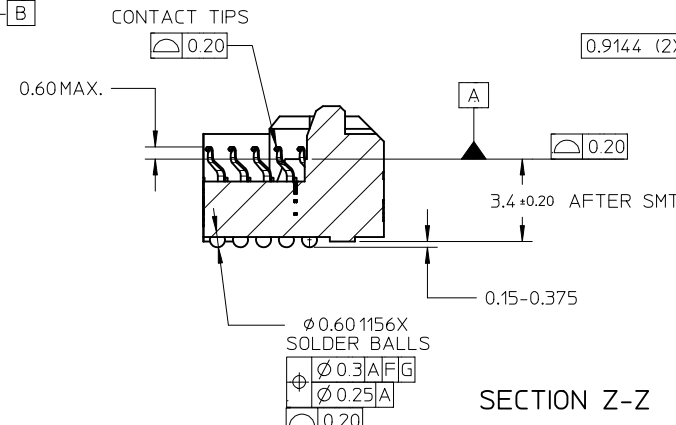
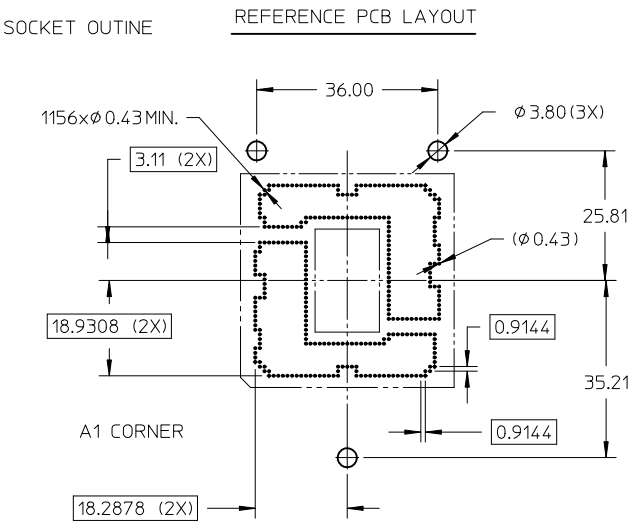
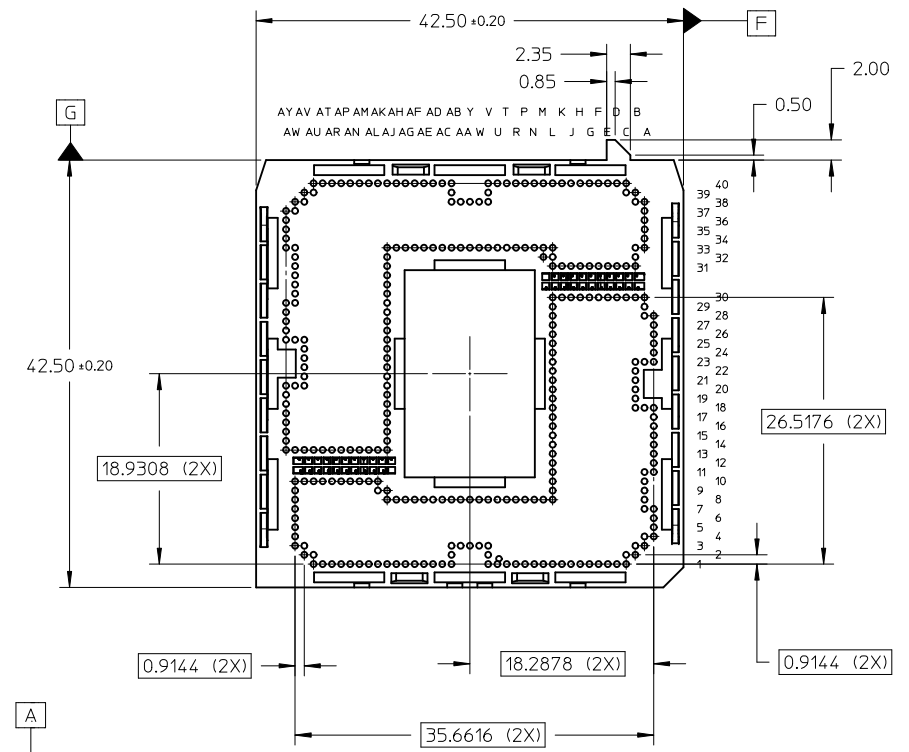
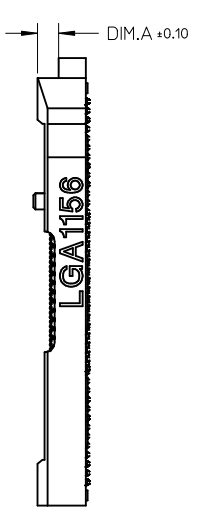
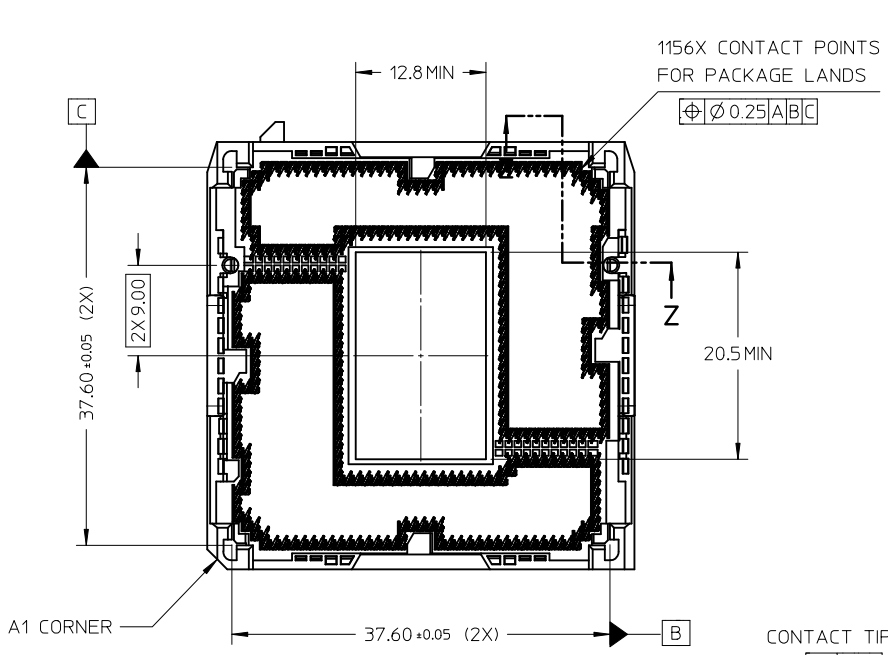
BOTTOM VIEW

ENTER DESCRIPTION EC NO: SH2011-0226 DRWN: ZHANG11 CHKD: APPR: AYIN 2011/01/10 2011/03/03	QUALITY SYMBOLS F=0 E=0 E=0	GENERAL TOLERANCES (UNLESS SPECIFIED)		DIMENSION STYLE		SCALE	DESIGN UNITS	THIRD ANGLE PROJECTION			
				MM ONLY		2:1	METRIC				
				mm	INCH	DRAWN BY	DATE	TITLE			
						JL IU	2008/01/01	LGA1156 SOCKET			
				3 PLACES	± ---	± ---	CHECKED BY	DATE			
				2 PLACES	± 0.25	± ---	JKACHLIC	2008/02/19			
				1 PLACE	± 0.25	± ---	APPROVED BY	DATE			
				ANGULAR ± 1 °		CL IANG		2008/02/19			
				DRAFT WHERE APPLICABLE MUST REMAIN WITHIN DIMENSIONS		MATERIAL NO.		MOLEX INCORPORATED			
						SEE TABLE		DOCUMENT NO.		SHEET NO.	
								SD-47596-001		1 OF 2	
								THIS DRAWING CONTAINS INFORMATION THAT IS PROPRIETARY TO MOLEX INCORPORATED AND SHOULD NOT BE USED WITHOUT WRITTEN PERMISSION			

10 9 8 7 6 5 4 3 2 1

F
E
D
C
B
A

F
E
D
C
B
A



PART NO.	FINISHES: CONTACT AREA	DIM.A
475960132	15u" (0.38um) MIN. GOLD	0.75
475960133	30u" (0.76um) MIN. GOLD	0.75
475960532	15u" (0.38um) MIN. GOLD	2.10
475960533	30u" (0.76um) MIN. GOLD	2.10

ENTER DESCRIPTION EC NO: SH2011-0226 DRWN: ZHANG11 CHKD: APPR: AYIN	2011/01/10 2011/03/03 DESCRIPTION REV	QUALITY SYMBOLS $\nabla F = 0$ $\nabla E = 0$ $\nabla P = 0$	GENERAL TOLERANCES (UNLESS SPECIFIED)		DIMENSION STYLE MM ONLY		SCALE 2:1	DESIGN UNITS METRIC	THIRD ANGLE PROJECTION			
		4 PLACES ± --- ± --- 3 PLACES ± --- ± --- 2 PLACES ± 0.25 ± --- 1 PLACE ± 0.25 ± ---		mm INCH	DRAWN BY JLIU	DATE 2008/01/01	TITLE LGA1156 SOCKET					
		ANGULAR ± 1 °		DRAFT WHERE APPLICABLE MUST REMAIN WITHIN DIMENSIONS		CHECKED BY JKACHLIC	DATE 2008/02/19	MOLEX INCORPORATED				
		A3		SEE TABLE		APPROVED BY CL IANG	DATE 2008/02/19	MATERIAL NO. SEE TABLE	DOCUMENT NO. SD-47596-001	SHEET NO. 2 OF 2		

9 8 7 6 5 4 3 2 1