

## 1. Scope

The present specifications shall apply to an AP01C.

## 2. Outline

Type	Silicon Diode
Structure	Resin Molded
Applications	High Frequency Rectification

## 3. Flammability

UL94V-0(Equivalent)

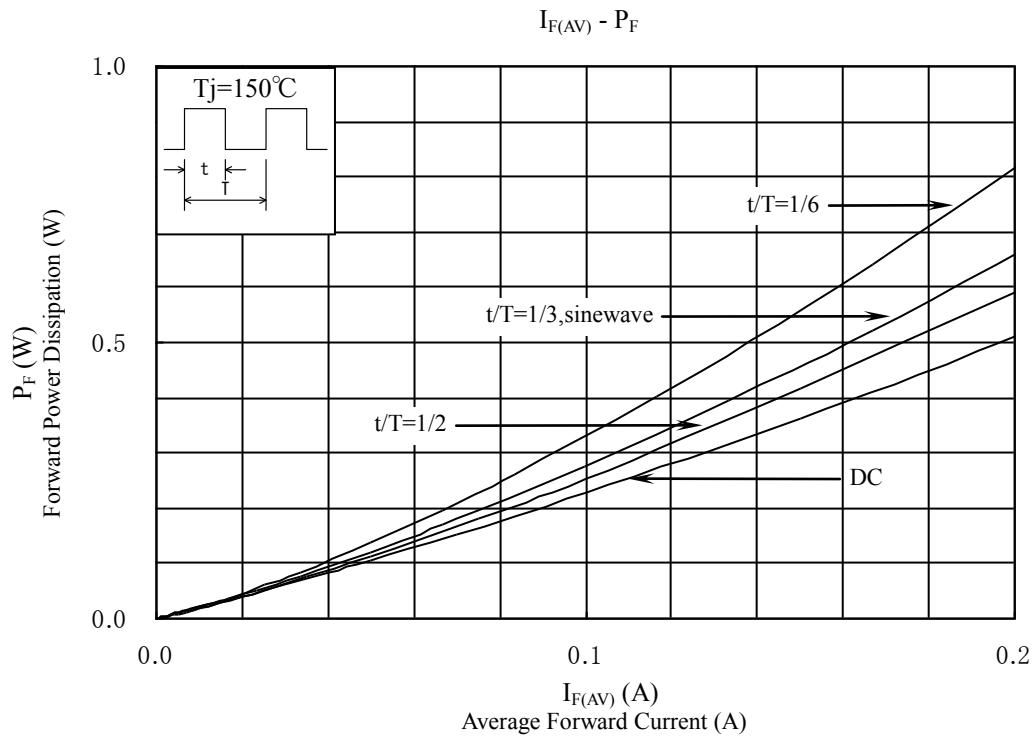
## 4. Absolute maximum ratings

No.	Item	Symbol	Unit	Rating	Conditions
1	Transient Peak Reverse Voltage	$V_{RSM}$	V	1050	
2	Peak Reverse Voltage	$V_{RM}$	V	1000	
3	Average Forward Current	$I_{F(AV)}$	A	0.2	Refer to Derating of 7
4	Peak Surge Forward Current	$I_{FSM}$	A	5.0	10msec. Half sinewave, one shot
5	$I^2t$ Limiting Value	$I^2t$	$A^2s$	0.125	$1msec \leq t \leq 10msec$
6	Junction Temperature	$T_j$	$^{\circ}C$	-40~+150	
7	Storage Temperature	$T_{stg}$	$^{\circ}C$	-40~+150	

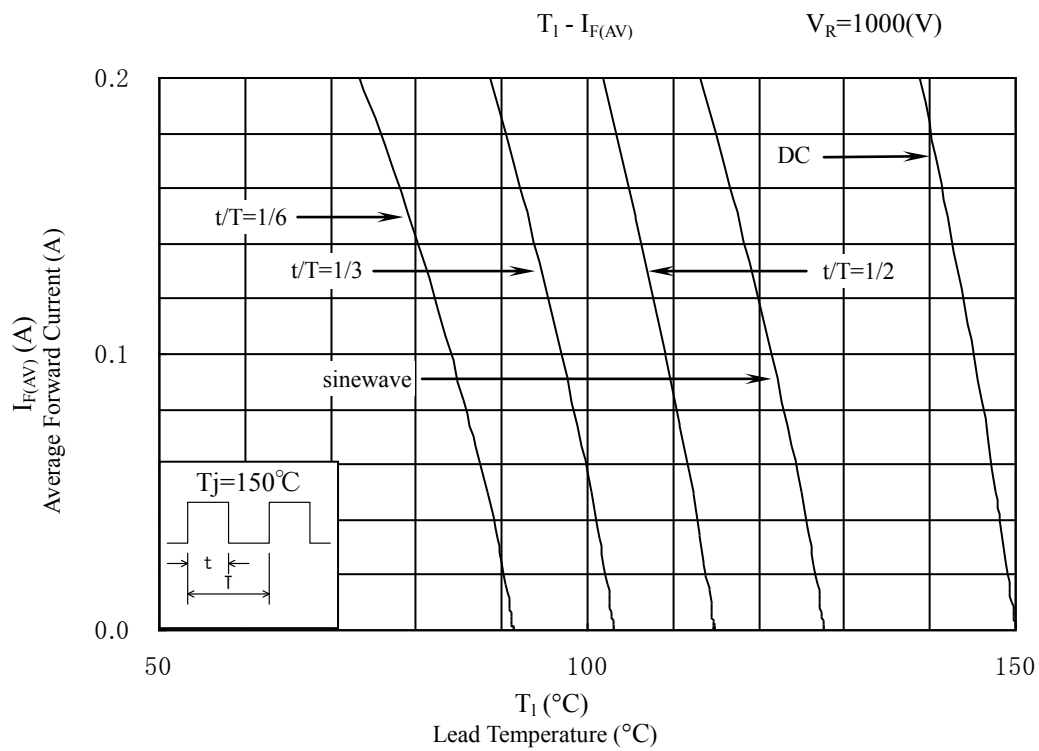
5. Electrical characteristics ( $T_a=25^{\circ}C$  , unless otherwise specified)

No.	Item	Symbol	Unit	Value	Conditions
1	Forward Voltage Drop	$V_F$	V	4.0 max.	$I_F=0.2A$
2	Reverse Leakage Current	$I_R$	$\mu A$	100 max.	$V_R=V_{RM}$
3	Reverse Leakage Current Under High Temperature	$H \cdot I_R$	$\mu A$	500 max.	$V_R=V_{RM}, T_j=100^{\circ}C$
4	Reverse Recovery Time	$t_{rr1}$	ns	200 max.	$I_F=I_{RP}=100mA$ 90% Recovery point, $T_j=25^{\circ}C$
		$t_{rr2}$	ns	80 max.	$I_F=100mA, I_{RP}=200mA$ 75% Recovery point, $T_j=25^{\circ}C$
5	Thermal Resistance	$R_{th(j-l)}$	$^{\circ}C/W$	22 max.	Between Junction and Lead

6. Characteristics

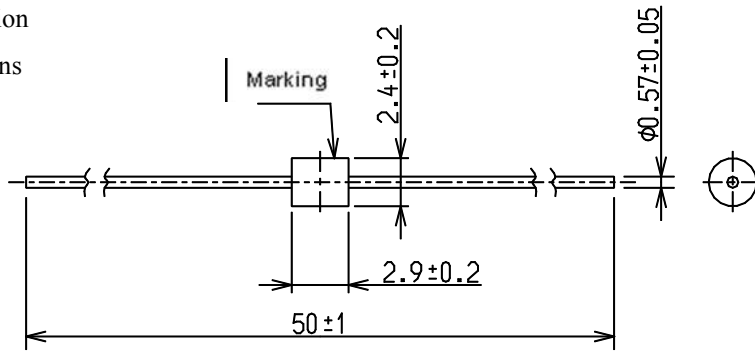


7. Derating



8. Package information

8-1 Dimensions



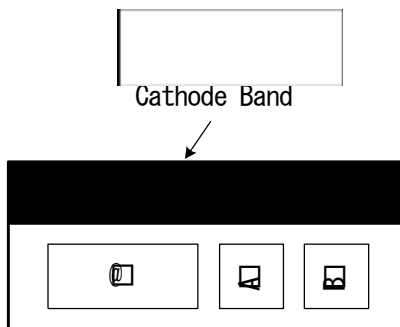
Dimensions in mm

- ※1 The allowance position of Body against the center of whole lead wire is 0.5mm(max.)
- ※2 The centric allowance of lead wire against center of physical body is 0.2mm(max.)
- ※3 The burr may exit up to 2mm from the body of lead
- ※4 Whole lead wire is 62.0±1.0, with 52mm taping.

8-2 Appearance

The body shall be clean and shall not bear any stain, rust or flaw.

8-3 Marking



- ① Type number : AP01C is abbreviated as PC
- ② Lot number 1  
Last digit of Year
- ③ Lot number 2  
Month  
From 1 to 9 for Jan. to Sep.  
O for Oct., N for Nov., and D for Dec.