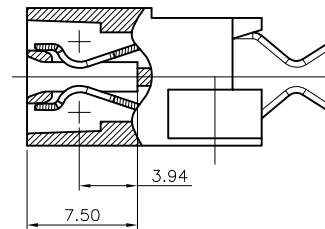
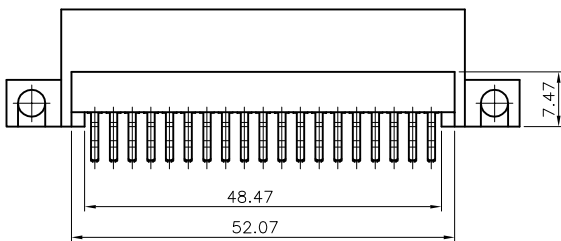
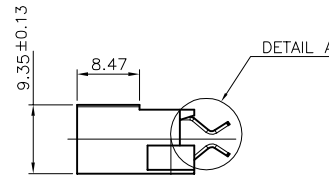
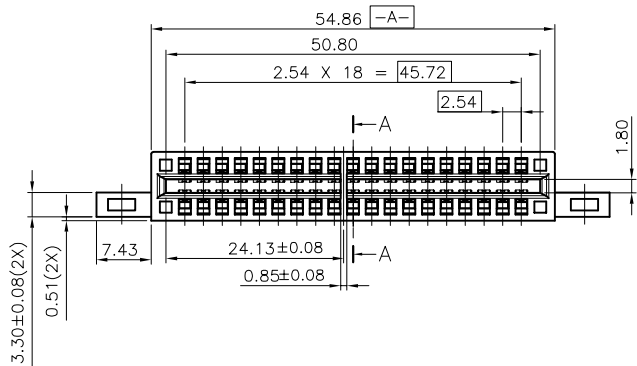
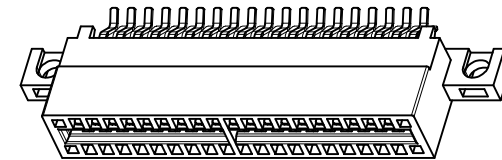
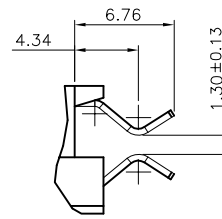
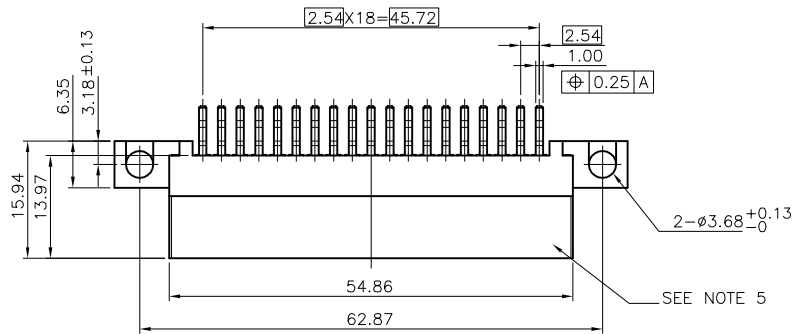




PRODUCT NO.
10034908-001
10034908-001LF



NOTE:

- MATERIAL:
 HOUSING: HIGH TEMPERATURE THERMOPLASTIC,
 UL 94 V-0 FLAME RETARDANT, BLACK.
 TERMINAL: HIGH CONDUCTIVITY COPPER ALLOY.
- PLATING: CONTACT AREA: Au 30u" OVER Ni 50u" UNDERPLATED.
 SOLDER TAIL: 100u" MATTE PURE TIN OVER Ni 50u" UNDERPLATED.
 PART NUMBER 10034908-001LF MEETS EUROPEAN UNION DIRECTIVE AND
 OTHER COUNTRY REGULATIONS AS DESCRIBED IN GS-22-008;
 THE HOUSING WILL WITHSTAND EXPOSURE TO 260°C PEAK TEMPERATURE
 FOR 10 SECONDS IN A REFLOW SOLDER APPLICATION WITH A CIRCUIT BOARD.
- PRODUCT SPECIFICATION: GS-12-279.
- PACKAGING SPEC: GS-14-937.
- MANUFACTURER'S NAME, P/N AND DATE CODE
 TO APPEAR ON THIS SURFACE AS PER GS-24-007.

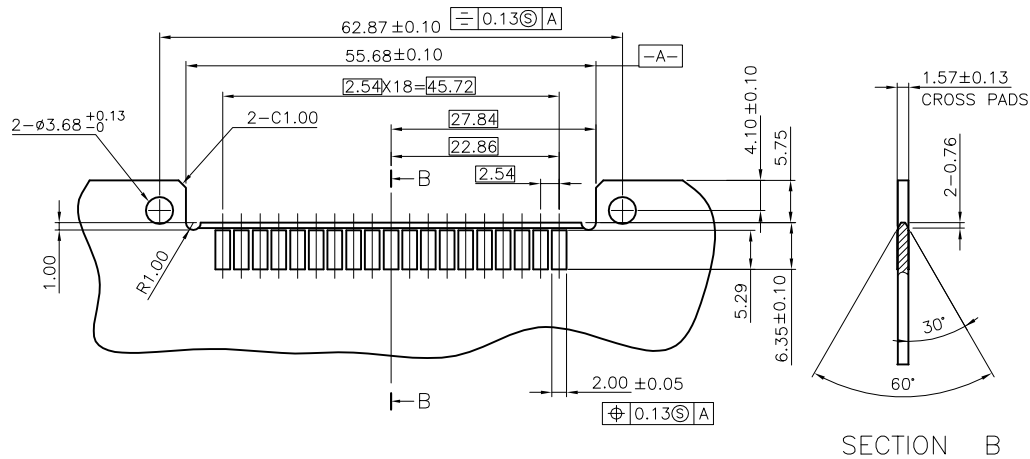
mat'l. code				tolerances unless otherwise specified		CUSTOMER COPY	FCI www.fciconnect.com			
ltr	ecn no	dr	date	linear	.X ± 0.8	projection	title STRADDLE MOUNT TYPE OF POWER EDGE CONNECTOR			
H	dg06-0306	RYAN	07/30/06		.XX ± 0.25					
J	dg06-0485	RYAN	11/21/06		.XXX ± 0.13					
K	dg06-0524	JULIA	12/26/06	angles	0° ± 2°	 mm scale 5/4 A3	product family	PWR EDGE CARD	code	
D	dg05-0273	SW	08/09/05	dr	Benny Chen		01/14/04	size	dwg no	—
E	dg05-0287	SW	08/18/05	engr	Benny Chen		01/14/04	10034908	sheet	1 of 2
F	dg05-0339	SW	09/20/05	chr	Paul Wang		01/14/04			
G	dg05-0538	SW	12/13/05	appd	David Su		07/26/04			
sheet	revision	K	K							
index	sheet	1	2							

Tous droits strictement reserves. Reproduction ou communication a des tiers interdite sous quelque forme que ce soit sans autorisation écrite du propriétaire. Propriete de © FCI ELECTRONICS. Droits de reproduction FCI ELECTRONICS INC.

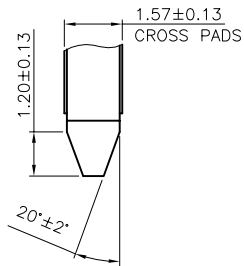
All rights strictly reserved. Reproduction or issue to third parties in any form whatever is not permitted without written authority from the proprietor. Copyright FCI ELECTRONICS INC. Property of © FCI ELECTRONICS



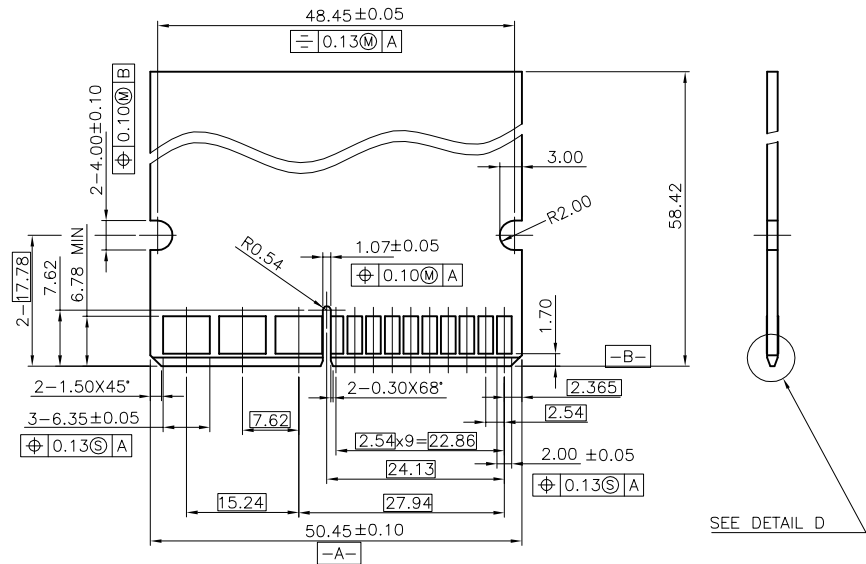
PRODUCT NO.
10034908-001
10034908-001LF



RECOMMENDED PC BOARD LAYOUT FOR CONNECTOR SOLDER TAILS



DETAIL D
SCALE 5:1



RECOMMENDED MATING BOARD EDGE CONFIGURATION

mat'l. code		tolerances unless otherwise specified		CUSTOMER COPY		FCI www.fciconnect.com	
ltr	ecn no	dr	date	linear	projection	title	
K				.X ± 0.8	⊕	STRADDLE MOUNT TYPE OF POWER EDGE CONNECTOR	
				.XX ± 0.25		product family	PWR EDGE CARD
				.XXX ± 0.13		code	-
				angles	0° ± 2'	size	dwg no
				dr	Benny Chen	01/14/04	
				engr	Benny Chen	01/14/04	
				chr	Paul Wang	01/14/04	
				appd	David Su	07/26/04	
sheet	revision			scale	5/4	size	A3
index	sheet			scale	5/4	code	10034908
				scale	5/4	sheet	2 of 2