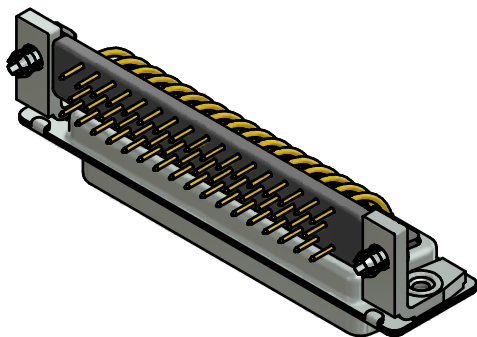


NOTES:

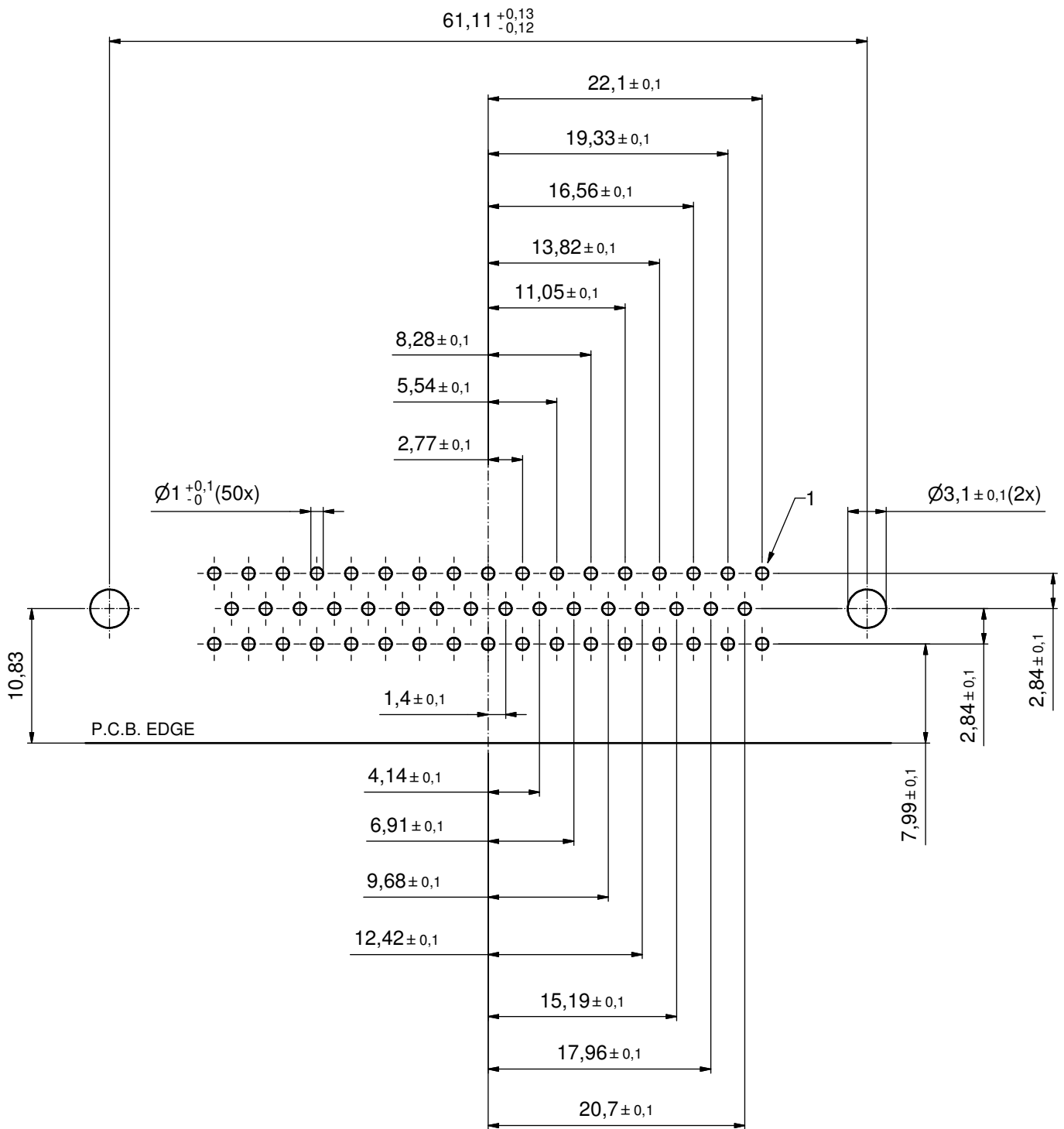
1. METALSHELLS: STEEL; min. 315µin TIN over 40-80µin NICKEL
2. INSULATORS: PBT GF UL 94 V-0, BLACK
3. SIGNAL CONTACTS: COPPER ALLOY; PLATING (SEE PART NO.):
 - PLEASE ADD A for GOLD FLASH over NICKEL (PREFERRED TYPE)
 - PLEASE ADD B for 20µin HARD GOLD over min. 50µin NICKEL
 - PLEASE ADD C for 30µin HARD GOLD over min. 50µin NICKEL
 - PLEASE ADD J for 50µin HARD GOLD over min. 50µin NICKEL
4. METAL BRACKETS: STEEL; min. 320µin TIN over 80µin NICKEL
5. THREADED INSERTS: COPPER ALLOY; min. 200µin TIN over 80µin NICKEL
6. FIXING-PLATE: PBT GF UL 94 V-0, BLACK
7. PCB-SNAPS: COPPER ALLOY; min. 200µin TIN over 80µin NICKEL
PCB-HOLE: Ø3,1±0,1; PCB THICKNESS 1,6mm
8. P.C.B. HOLE DRILLINGS ON SHEET 2
9. MAXIMUM TORQUE VALUE FOR THREAD: 6 in.LB
10. CONNECTOR IS PART MARKED: 164□18989X CONEC ABC (see note 3)



Directive 2002/95/EC RoHS compliant

THIS DRAWING MAY NOT BE COPIED OR REPRODUCED IN ANY WAY, AND MAY NOT BE PASSED ON TO A THIRD PARTY WITHOUT WRITTEN PERMISSION. OWNERSHIP AND COPYRIGHT OF CONEC GmbH DO NOT ALTER CAD DRAWING BY HAND				tolerance		dim. in mm	scale: 2:1 (5:1)	
				material: SEE NOTES				
				drawn	16.05.03	Schmidt	title: D-SUB FEMALE 90° 50pos. SOLDER PIN ANGLED with threaded insert, metal bracket, fixing-plate and snap	
				appd.	16.05.03	Kühle		
norm								
2 x b	A5249	17.06.2014	K.H.	dwg no:		DIN-A3		
a	Original					sh: 1/2		
rev.	description	date	name	part no: b 164□18989X (see note 3)				

P.C.B. HOLE DRILLINGS
(P.C.B. TOP SIDE)



THIS DRAWING MAY NOT BE COPIED OR REPRODUCED IN ANY WAY, AND MAY NOT BE PASSED ON TO A THIRD PARTY WITHOUT WRITTEN PERMISSION. OWNERSHIP AND COPYRIGHT OF CONEC GmbH DO NOT ALTER CAD DRAWING BY HAND				tolerance		scale: 3:1
				dim. in mm		material: SEE SHEET 1
	drawn	16.05.03	Schmidt	title:		
	appd.	16.05.03	Kühle	P.C.B. HOLE DRILLINGS		
	norm			D-SUB FEMALE 90° 50pos. 0.318inch		
	d-old			with threaded insert, metal bracket, fixing-plate and snap		
	rev.	a	Original	dwg no:	16K1A953	DIN-A3
	description			sh:	2/2	
	date			part no:	SEE SHEET 1	
	name			CONEC ®		