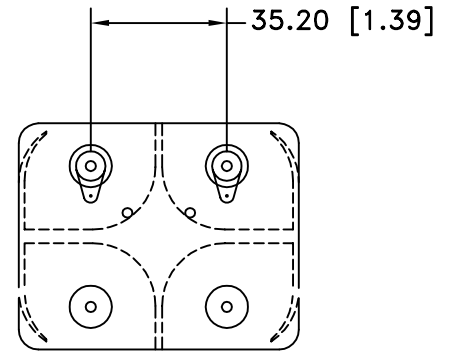
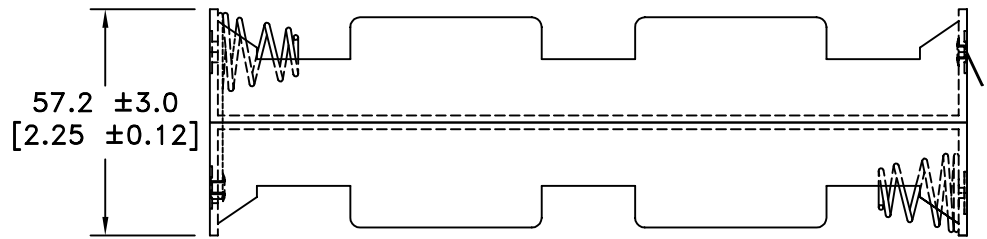
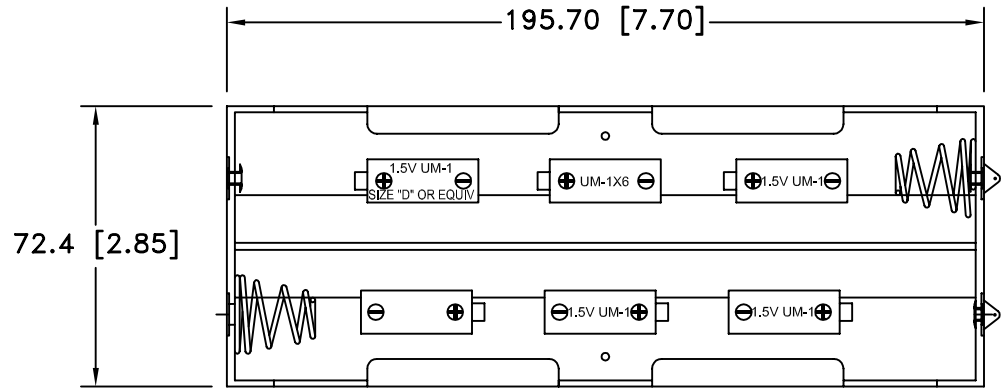



Date	SYM	REVISION RECORD	AUTH	DR.	CK.



NOTES:

- 1. MATERIAL:
 HOUSING : BLACK POLYPROPYLENE
 RIVETS: BRASS, NICKLE PLTD.
 SPRING: SPRING STEEL, NICKLE PLTD., SWB 60C

Tolerance (Except as noted)	 Memory Protection Devices, Inc 200 Broad Hollow Road, Farmingdale, New York 11735		
decimal ±.5 (.020)	Scale	Drawn By B.S.	
Fractional ± .8 (.030)	Title 12 "D" CELL HOLDER		
Angular ± 3°	Date 07/02/05	Drawing Number BH212DL	
		Approved By T.B.	