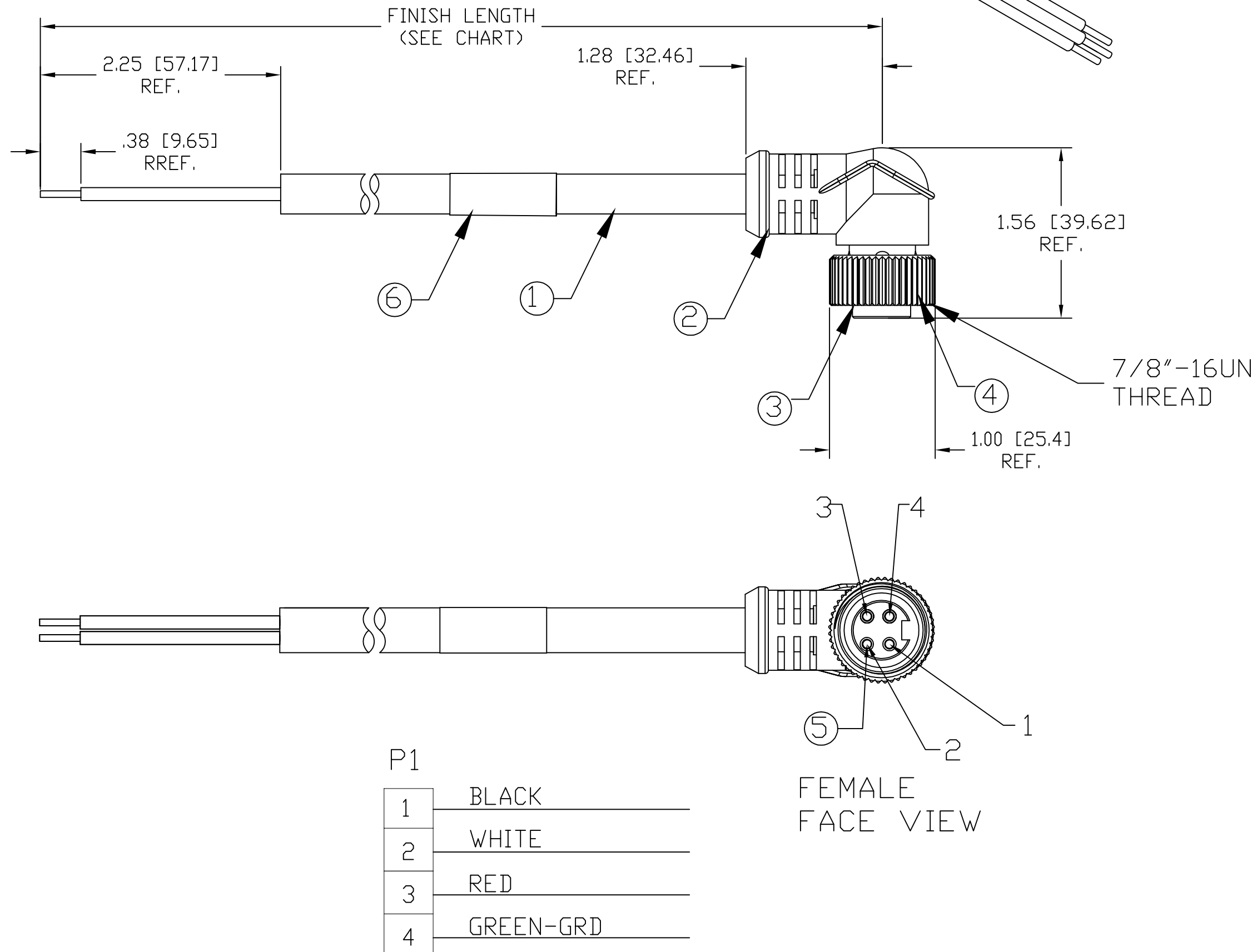


13	12	11	10	9
PART NUMBER	ENGINEERING NUMBER	FINISH LENGTH		
1300060898	104001A01F030	3.00' +1.75" -0 [.9M +44.5 -0]		
1300060902	104001A01F060	6.00' +3.50" -0 [1.8M +88.9 -0]		
1300060905	104001A01F120	12.00' +6.50" -0 [3.7M +165.1 -0]		
1300060912	104001A01F200	20.00' +6.50" -0 [6.1M +165.1 -0]		

NOTE

- 1) MATERIAL: SEE TABLE
- 2) FINISHES: SEE TABLE
- 3) WRAP LABEL IS MARKED WITH P/N, DATE CODE, VOLTAGE & AMPERAGE
- 4) MATES WITH: MINI CHANGE, 4 POLE RECEPTACLE
- 5) ELECTRICAL DATA:  
 INLINE CORDSET  
 FEMALE A-SIZE WITH FLYING LEADS  
 16AWG UNSHIELDED  
 POLES: 4  
 MAX. VOLTAGE: 600V  
 MAX. CURRENT 10A  
 PROTECTION IP67  
 TEMPERATURE RANGE: -20°C TO 105°C
- 6) PACKAGING:  
 CABLE ASSEMBLIES ARE BAGGED SEPERATELY  
 IN POLY BAGS WITH BAR CODE LABEL ATTACHED  
 TO OUTSIDE OF BAG.
- 7) ASSEMBLY IS RoHS COMPLIANT.
- 8) CERTIFICATION  
 UL RECOGNIZED, FILE NO. E152210  
 CSA CERTIFIED, FILE NO. LR6837

ITEM	QTY.	DESCRIPTION	MATERIAL	FINISH
6	1	LABEL	PLASTIC FILM	BLACK/YELLOW
5	4	CONTACT SOCKET	COPPER ALLOY	GOLD PLATED
4	1	INSERT	PVC	YELLOW
3	1	COUPLING NUT	ZINC DIE CAST	BLACKE-COATED
2	1	OVERMOLD	PVC	YELLOW
1	1	CABLE, 16AWG-4 TYPE STOOD	PVC	YELLOW



P1

1	BLACK
2	WHITE
3	RED
4	GREEN-GRD

WIRING DIAGRAM

RELEASE EC NO: WNA2010-0070 DRWN: TWOLDEGE 7/29/09 CH'KD: BWOODMAN APPR: JFMURPHY 2009/08/10	DESCRIPTION A	REV	QUALITY SYMBOL ▽=0 ▽=0	GENERAL TOLERANCES (UNLESS SPECIFIED)		DIMENSION STYLE		SCALE	DESIGN UNITS	THIRD ANGLE PROJECTION		
				mm INCH		IN/MM		1:1	INCH			
				4 PLACES	±----	±---	DRAWN BY	DATE	TITLE		MOLEX INCORPORATED	
				3 PLACES	±.005	±.005	TWOLDEGE	2009/07/29	MINI CHANGE ASSEMBLY 4-POLE FEMALE 90D 16/4AWG PVC		SHEET NO. 1 OF 1	
2 PLACES	±.013	±.010	CHECKED BY	DATE	MATERIAL NO.		DOCUMENT NO.					
1 PLACE	±.025	±.020	BWOODMAN	2009/07/29	SEE CHART		SD-130006-016					
ANGULAR ±1/2°				DRAFT WHERE APPLICABLE MUST REMAIN WITHIN DIMENSIONS		MATERIAL NO. SEE CHART		THIS DRAWING CONTAINS INFORMATION THAT IS PROPRIETARY TO MOLEX INCORPORATED AND SHOULD NOT BE USED WITHOUT WRITTEN PERMISSION				