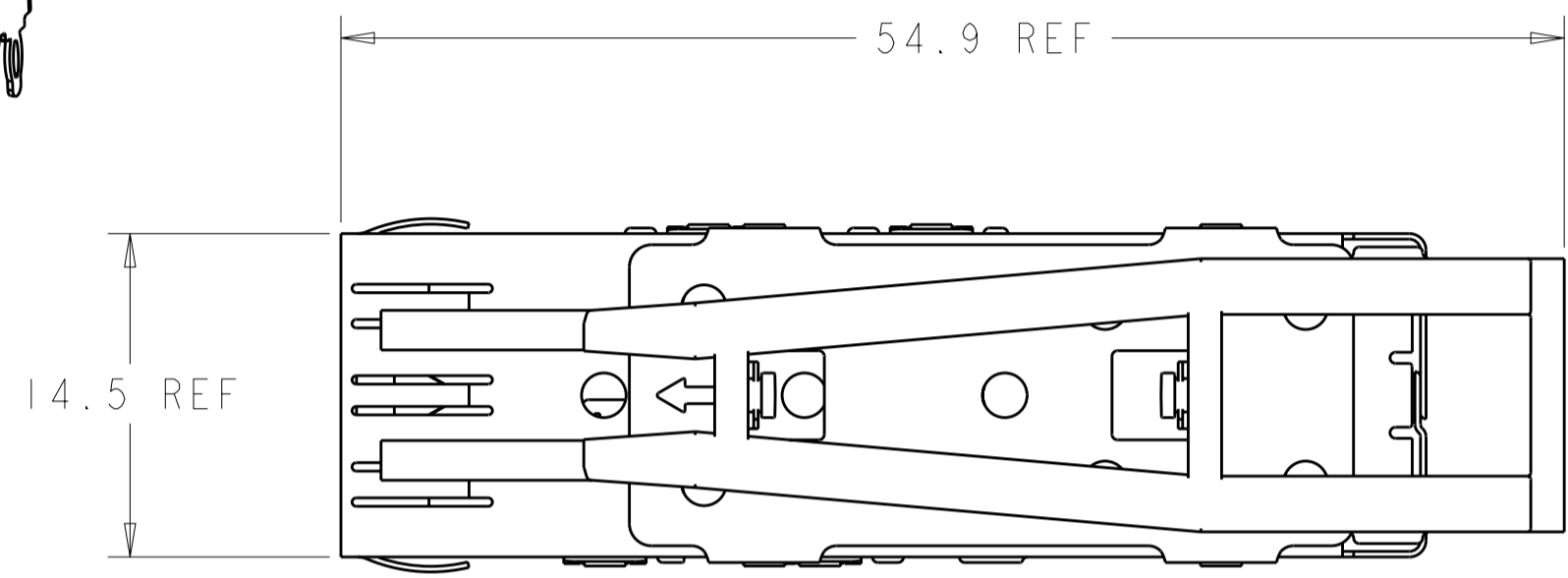
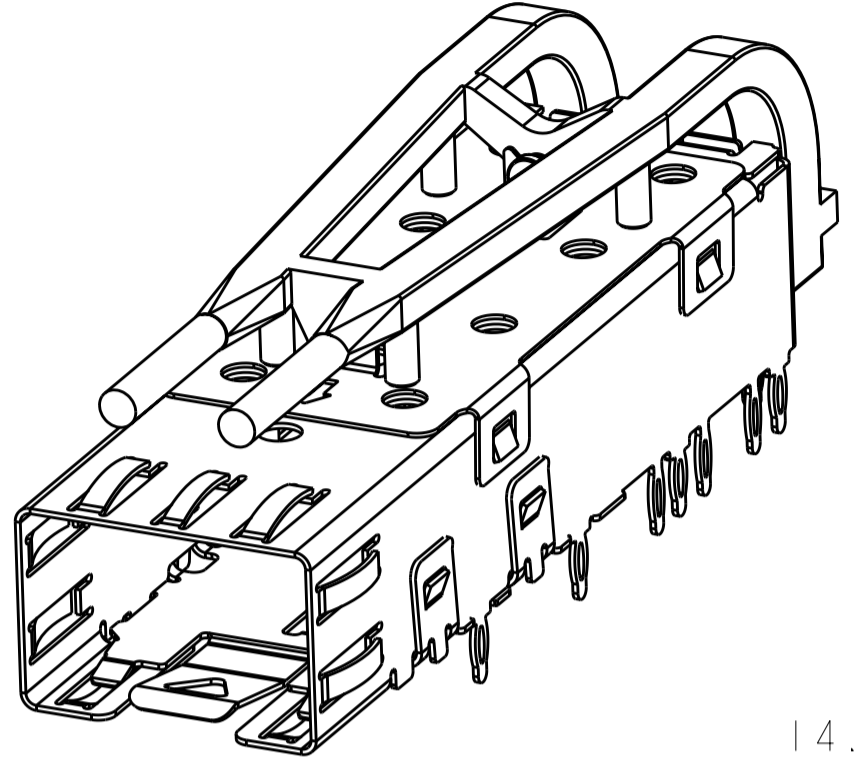
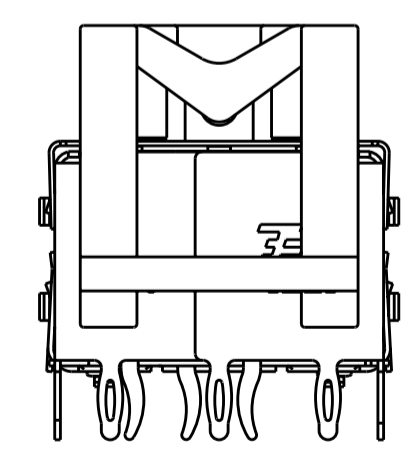
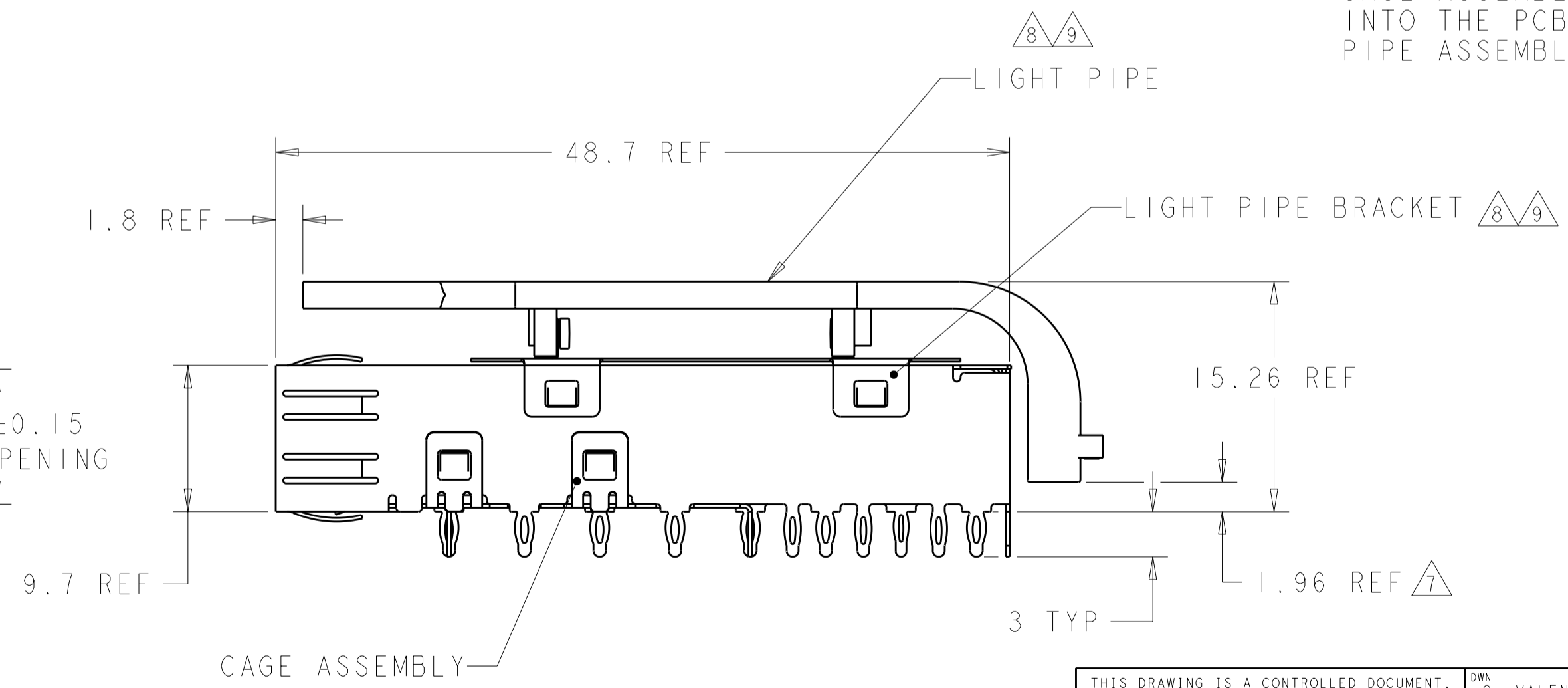
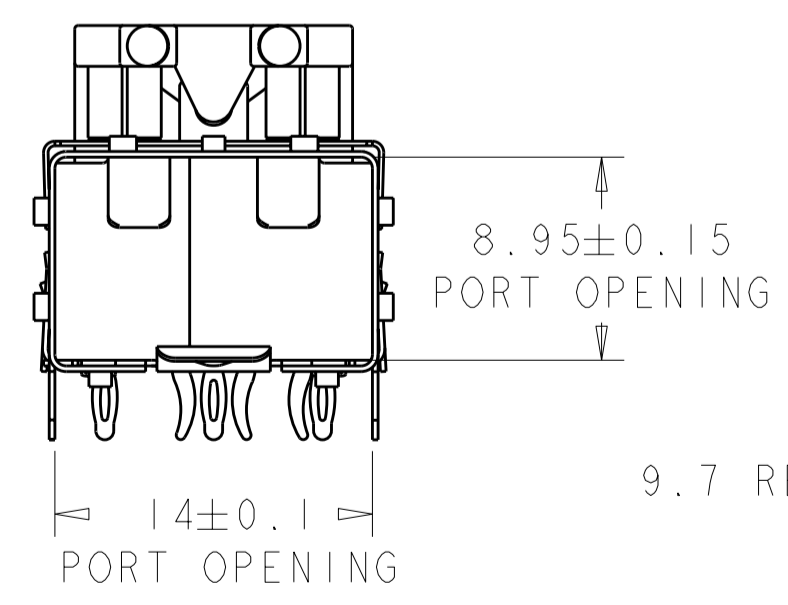


THIS DRAWING IS UNPUBLISHED. RELEASED FOR PUBLICATION 20
 © COPYRIGHT 20 ALL RIGHTS RESERVED.

| LOC | DIST | REVISIONS | | | | | |
|-----|------|-----------|-----|---------------------------|-----------|-----|------|
| GP | 00 | P | LTR | DESCRIPTION | DATE | DWN | APVD |
| | | | BI | REVISED PER ECO-11-005033 | 10MAY2011 | RK | HMR |



- 1 MATERIAL:
 CAGE: COPPER ALLOY
 LIGHTPIPE: POLYCARBONATE, CLEAR
 LIGHTPIPE BRACKET: STAINLESS STEEL.
- 2 FINISH:
 CAGE: TIN 1.25 um MIN THICKNESS OVER,
 0.125 um MIN THICKNESS NICKEL.
 NONPLATED EDGES PERMISSABLE.
- 3. MATES WITH SFP MSA COMPLIANT TRANSCEIVERS.
- 4 PADS AND VIAS CHASSIS GROUND.
- 5 DATUM AND BASIC DIMENSIONS ESTABLISHED BY CUSTOMER.
- 6. MINIMUM PC BOARD THICKNESS:
 SINGLE SIDED: 1.50 mm
 (SHOWN ON SHEET 4).
- 7 MAX HEIGHT OF LED OFF BOARD IS NOT TO EXCEED 1.14mm.
- 8 LIGHT PIPE AND LIGHT PIPE BRACKET SHIPPED ASSEMBLED.
- 9 LIGHT PIPE ASSEMBLY SHIPPED UNASSEMBLED TO CAGE ASSEMBLY. CAGE ASSEMBLY TO BE PRESSED INTO THE PCB PRIOR TO ATTACHING THE LIGHT PIPE ASSEMBLY TO THE CAGE.

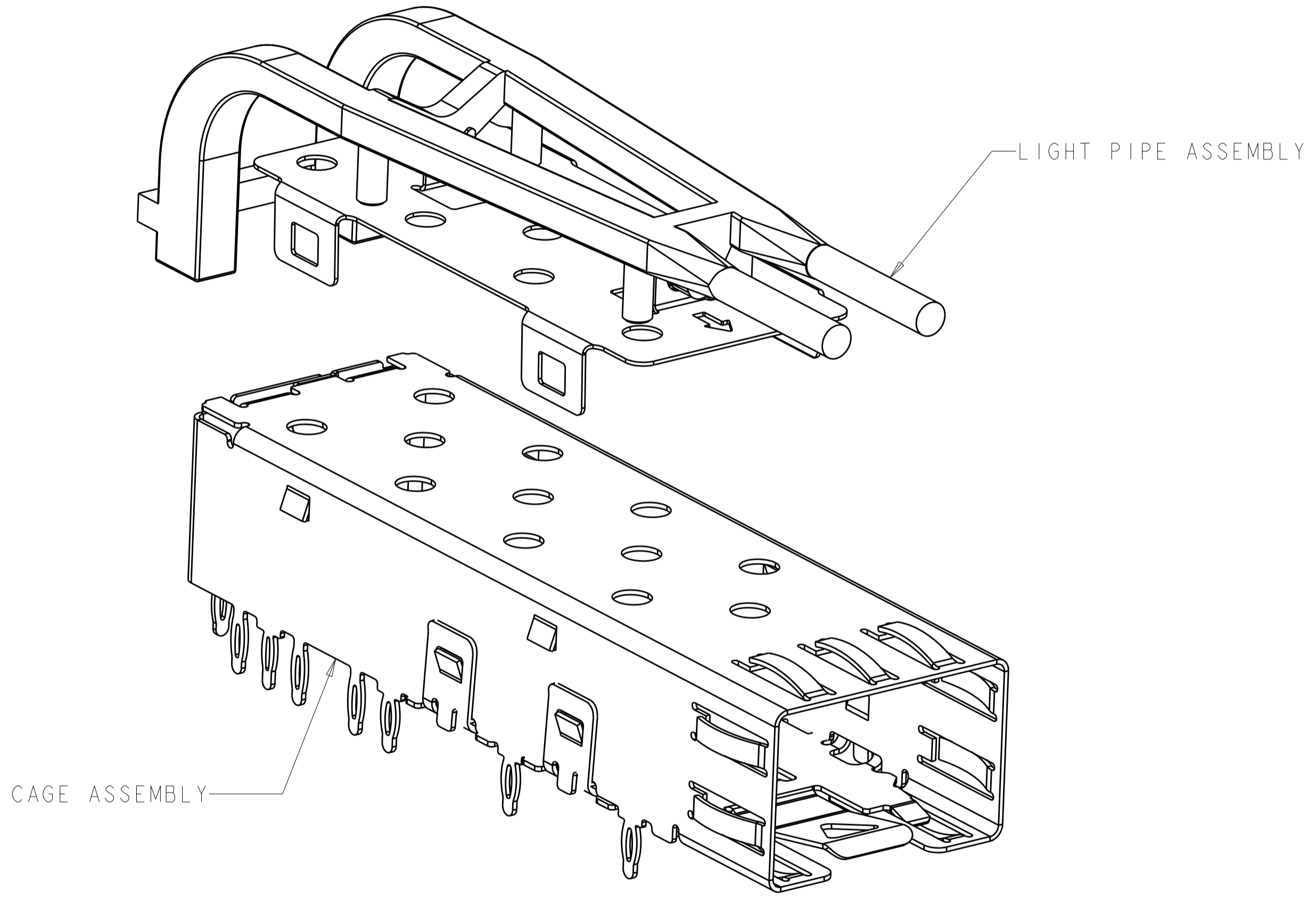


1367629-1
 PART NUMBER


| | | | | |
|--|--|------------------------------------|--|--|
| THIS DRAWING IS A CONTROLLED DOCUMENT. | | DWN C. VALENTINE 15 JAN 2007 | TE Connectivity | |
| DIMENSIONS: mm | | CHK E. BRIGHT 15 JAN 2007 | | |
| TOLERANCES UNLESS OTHERWISE SPECIFIED: | | APVD E. BRIGHT 15 JAN 2007 | NAME CAGE ASSEMBLY 20 PRESS FIT ,SFP | |
| 0 PLC ±0.1 1 PLC ±0.1 2 PLC ±0.1 3 PLC ±0.05 4 PLC ±0.05 ANGLES ± FINISH | | PRODUCT SPEC 108-1950 | SIZE A200779 | |
| MATERIAL | | APPLICATION SPEC 114-13120 | DRAWING NO C-1367629 | |
| 1 - | | WEIGHT - | RESTRICTED TO - | |
| 2 - | | CUSTOMER DRAWING | SCALE 1:1 SHEET 1 OF 4 REV BI | |

THIS DRAWING IS UNPUBLISHED. RELEASED FOR PUBLICATION 20
 © COPYRIGHT 20 ALL RIGHTS RESERVED.

| LOC | DIST | REVISIONS | | | | | |
|-----|------|-----------|-----|-------------|------|-----|------|
| GP | 00 | P | LTR | DESCRIPTION | DATE | DWN | APVD |
| | | - | | SEE SHEET 1 | | | |
| | | | | | | | |
| | | | | | | | |

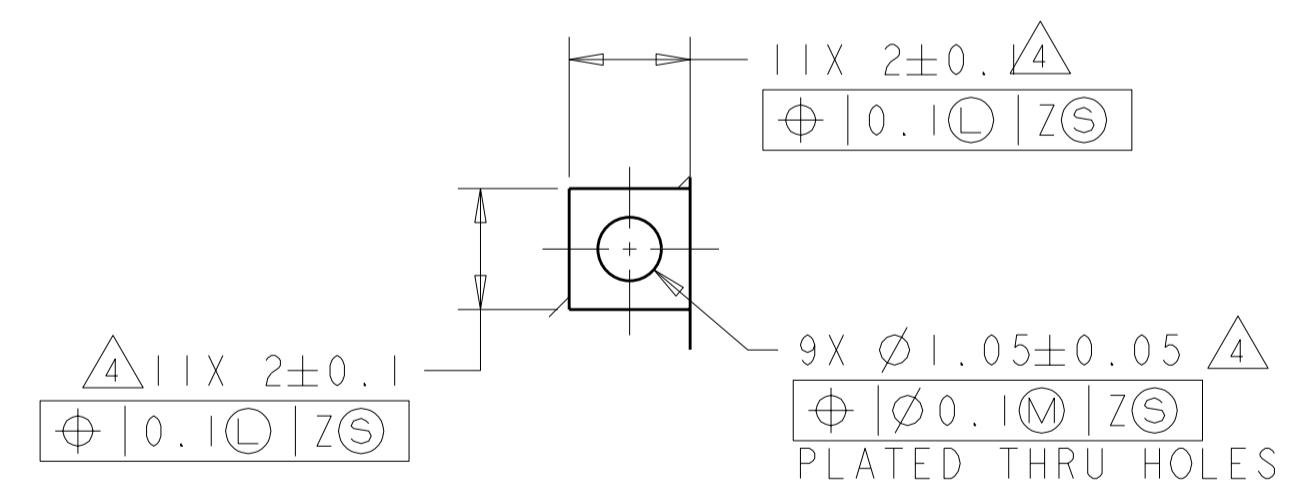
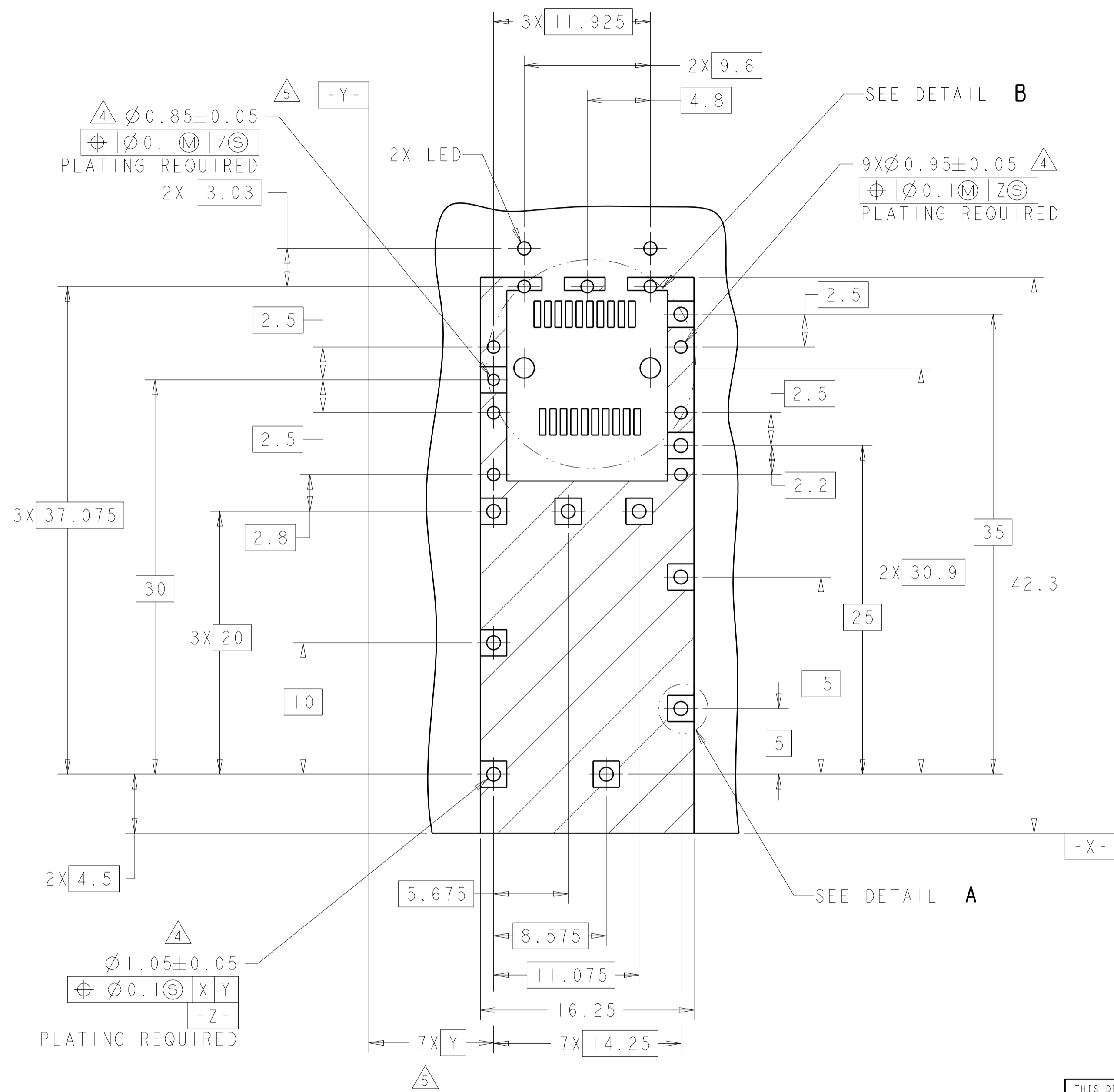


EXPLODED VIEW
 SCALE 5:1

| | | | | |
|--|--|------------------------------------|---|-------------------------|
| THIS DRAWING IS A CONTROLLED DOCUMENT. | | DWN C. VALENTINE 15 JAN 2007 |  TE Connectivity | |
| DIMENSIONS: mm | | CHK E. BRIGHT 15 JAN 2007 | | |
| TOLERANCES UNLESS OTHERWISE SPECIFIED: | | APVD E. BRIGHT 15 JAN 2007 | NAME CAGE ASSEMBLY 20 PRESS FIT , SFP | |
| 0 PLC ±0.1 1 PLC ±0.1 2 PLC ±0.1 3 PLC ±0.05 4 PLC ±0.05 ANGLES ± FINISH | | PRODUCT SPEC 108-1950 | RESTRICTED TO | |
| MATERIAL | | APPLICATION SPEC 114-13120 | SIZE A200779 | DRAWING NO C-1367629 |
| | | WEIGHT | SCALE 1:1 SHEET 2 OF 4 REV B1 | |
| | | CUSTOMER DRAWING | | |

THIS DRAWING IS UNPUBLISHED. RELEASED FOR PUBLICATION 20
 © COPYRIGHT 20 ALL RIGHTS RESERVED.

| LOC | DIST | REVISIONS | | | | | |
|-----|------|-----------|-----|-------------|------|-----|------|
| GP | 00 | P | LTR | DESCRIPTION | DATE | DWN | APVD |
| | | - | | SEE SHEET 1 | | | |



DETAIL A
 SCALE 8:1

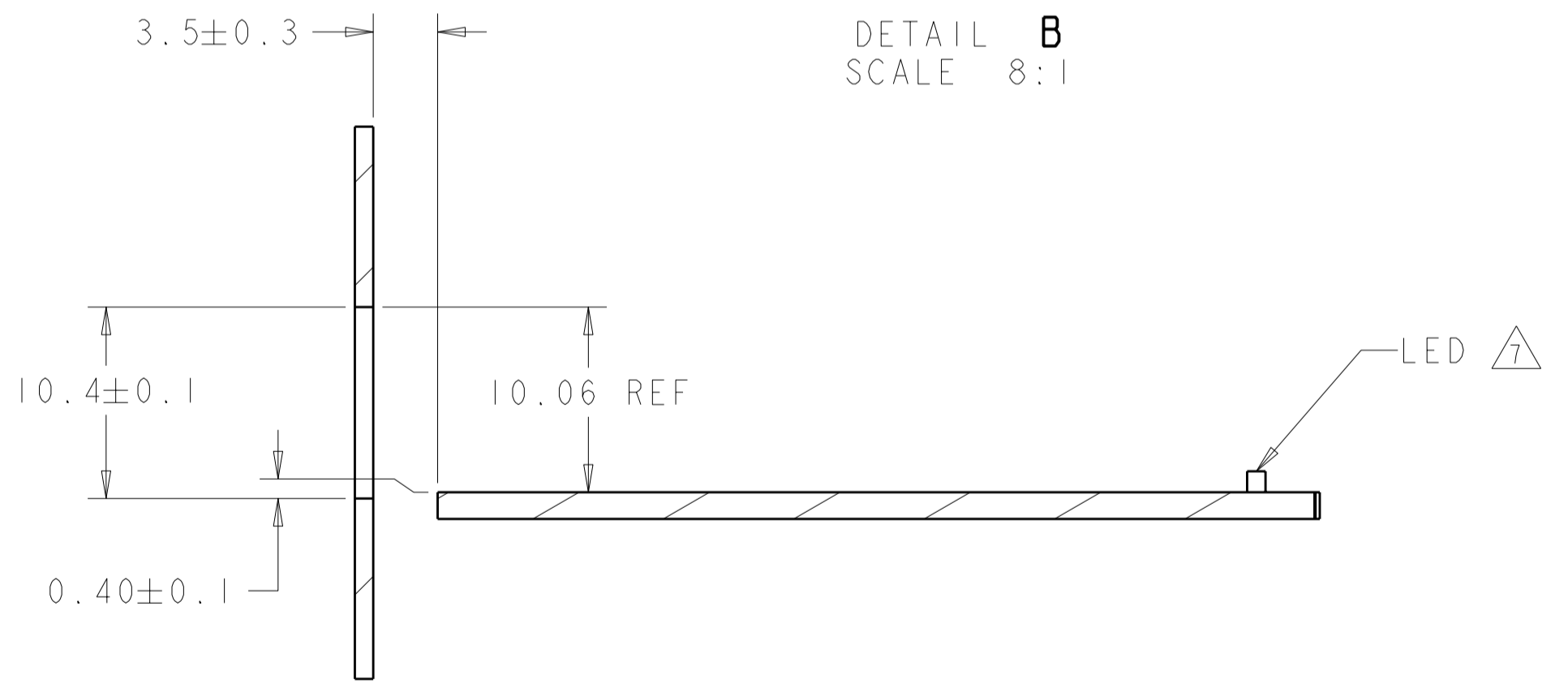
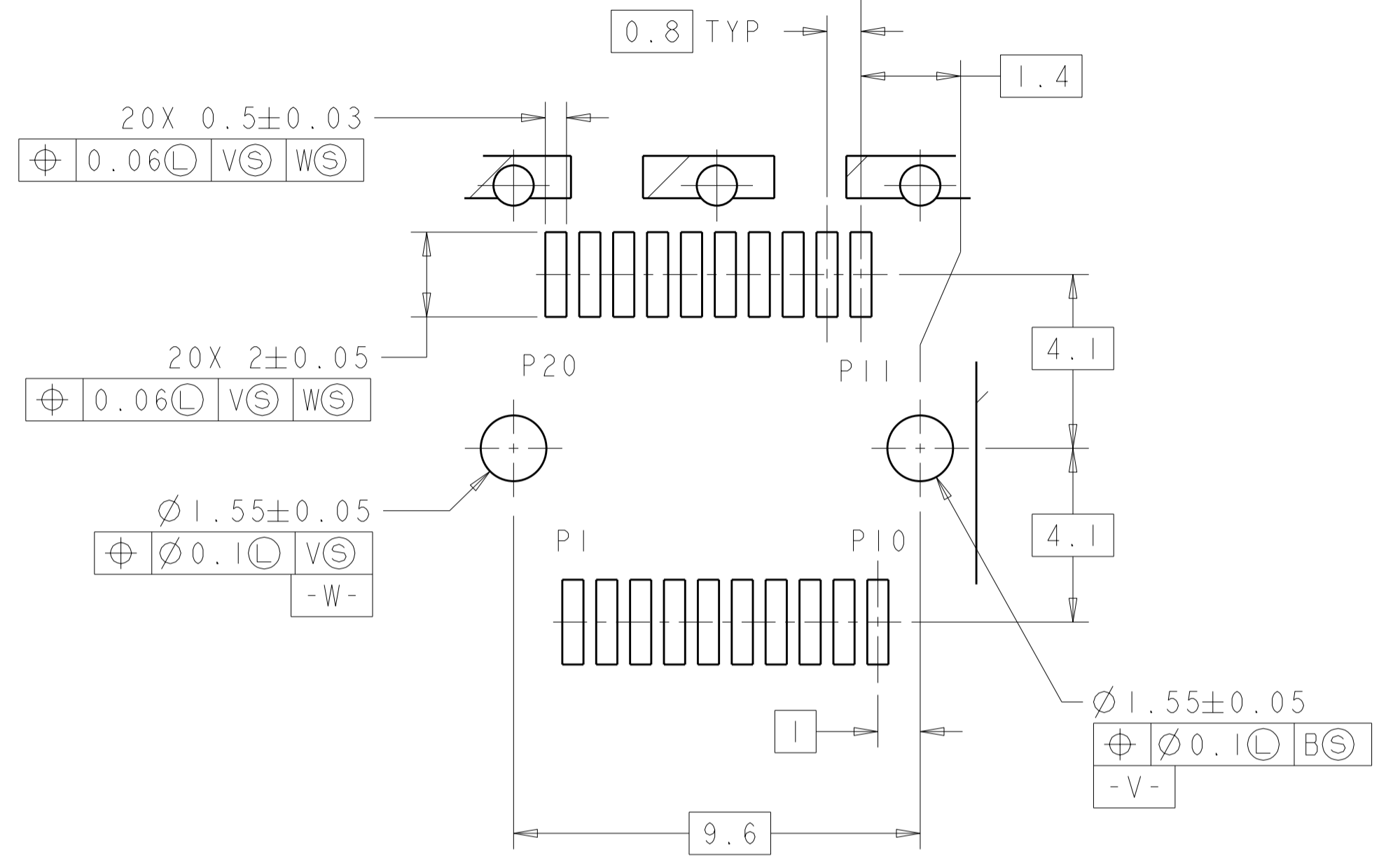
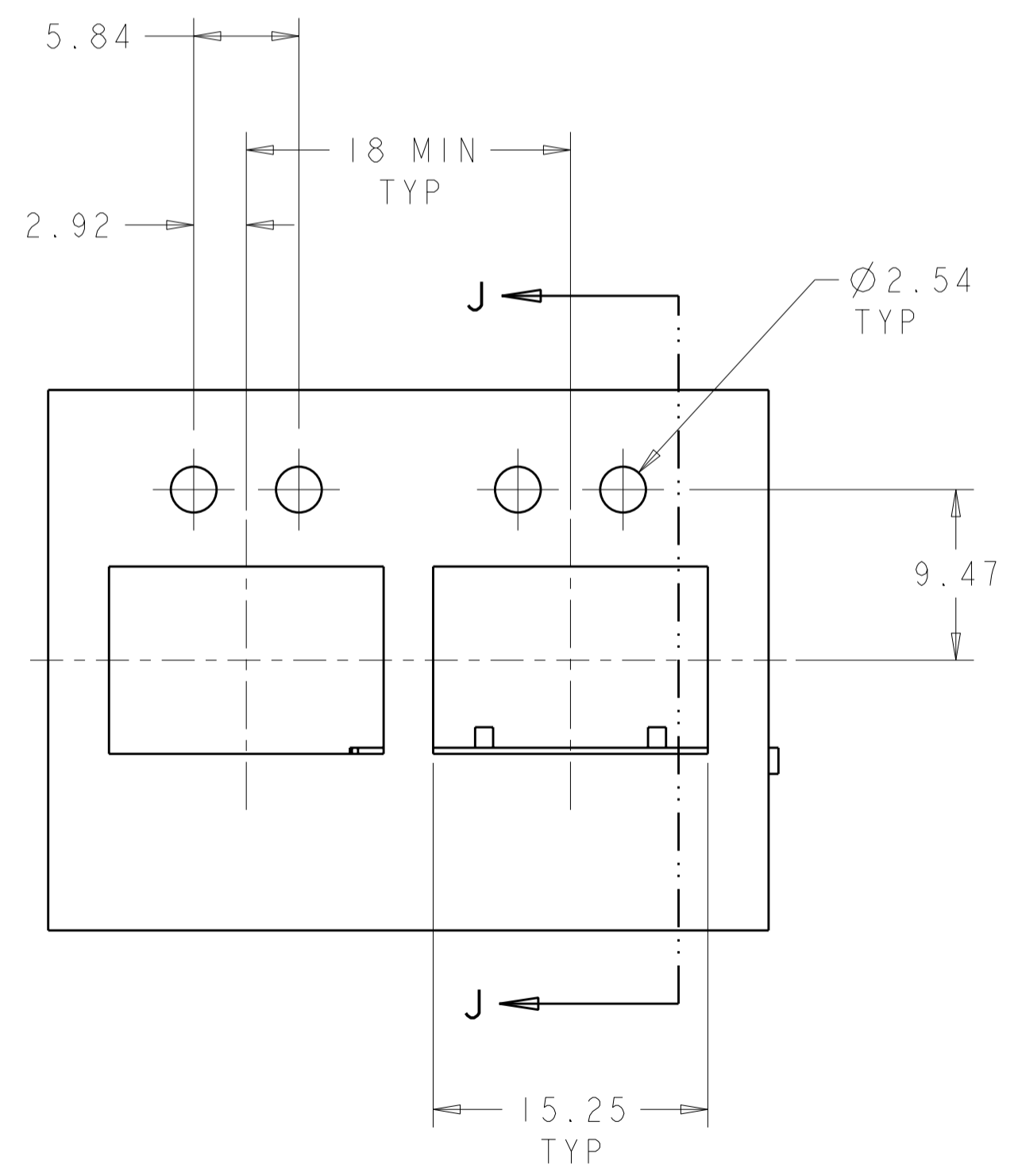
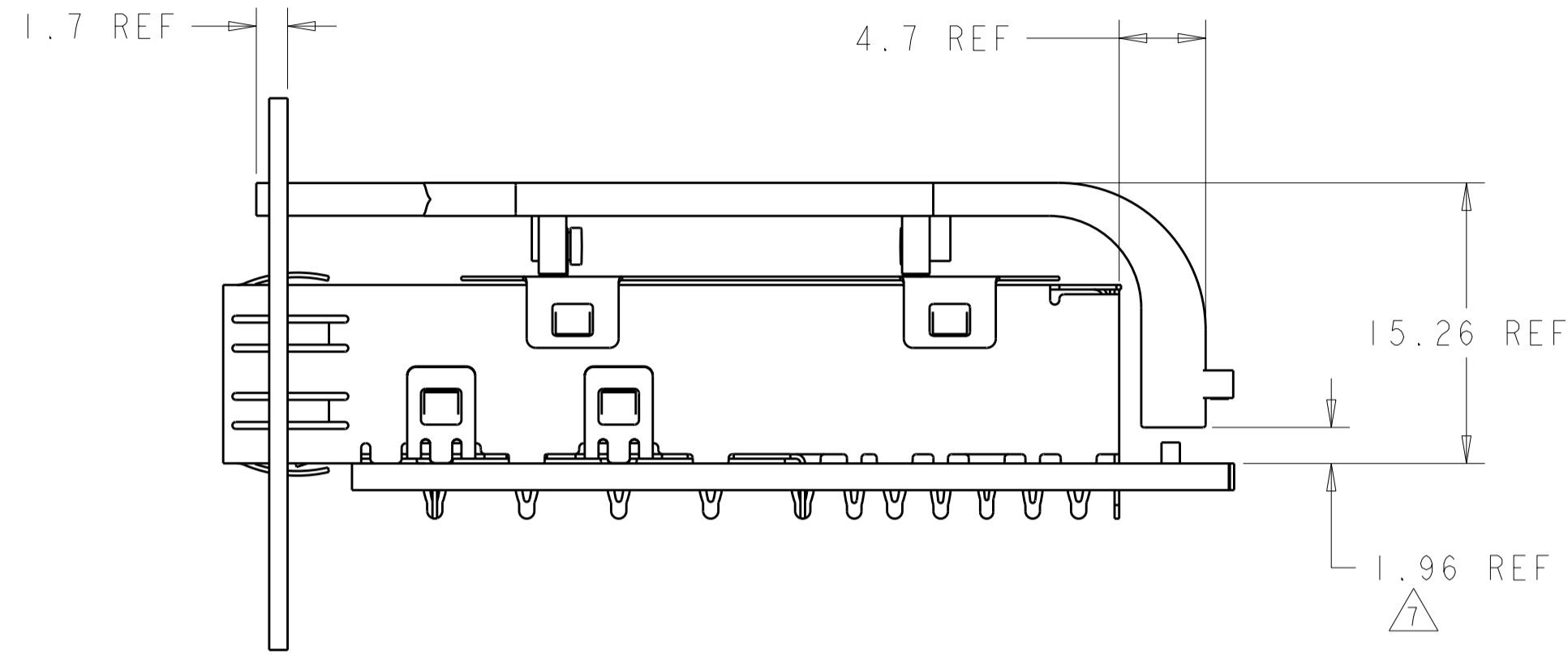
Δ
 $\varnothing 1.05 \pm 0.05$
 $\oplus | \varnothing 0.1 | \text{S} | \text{X} | \text{Y}$
 -Z-
 PLATING REQUIRED

RECOMMENDED PC BOARD LAYOUT
 SCALE 4:1

| | | | | |
|---|--|------------------------------------|--|---------------|
| THIS DRAWING IS A CONTROLLED DOCUMENT. | | DWN C. VALENTINE 15 JAN 2007 | TE Connectivity | |
| DIMENSIONS: mm | | CHK E. BRIGHT 15 JAN 2007 | | |
| TOLERANCES UNLESS OTHERWISE SPECIFIED: | | APVD E. BRIGHT 15 JAN 2007 | NAME CAGE ASSEMBLY 20 PRESS FIT ,SFP | |
| 0 PLC ± 0.1 1 PLC ± 0.1 2 PLC ± 0.1 3 PLC ± 0.05 4 PLC ± 0.05 ANGLES \pm FINISH | | PRODUCT SPEC 108-1950 | SIZE A200779 | |
| MATERIAL | | APPLICATION SPEC 114-13120 | DRAWING NO C-1367629 | RESTRICTED TO |
| | | WEIGHT | SCALE 1:1 | SHEET 3 OF 4 |
| | | CUSTOMER DRAWING | REV B1 | |

THIS DRAWING IS UNPUBLISHED. RELEASED FOR PUBLICATION 20
 © COPYRIGHT 20 ALL RIGHTS RESERVED.

| LOC | DIST | REVISIONS | | | |
|-----|------|-------------|------|-----|------|
| P | LTR | DESCRIPTION | DATE | DWN | APVD |
| GP | 00 | SEE SHEET 1 | | | |



DETAIL B
SCALE 8:1

SECTION J-J

| | | | | |
|--|--|------------------------------------|--|--|
| THIS DRAWING IS A CONTROLLED DOCUMENT. | | DWN C. VALENTINE 15 JAN 2007 | TE Connectivity | |
| DIMENSIONS: mm | | CHK E. BRIGHT 15 JAN 2007 | | |
| TOLERANCES UNLESS OTHERWISE SPECIFIED: | | APVD E. BRIGHT 15 JAN 2007 | NAME CAGE ASSEMBLY 20 PRESS FIT, SFP | |
| 0 PLC ±0.1 1 PLC ±0.1 2 PLC ±0.1 3 PLC ±0.05 4 PLC ±0.05 | | PRODUCT SPEC 108-1950 | SIZE 114-13120 | |
| MATERIAL | | APPLICATION SPEC 114-13120 | RESTRICTED TO | |
| | | WEIGHT - | A200779C-1367629 | |
| | | CUSTOMER DRAWING | SCALE 1:1 SHEET 4 OF 4 REV B1 | |