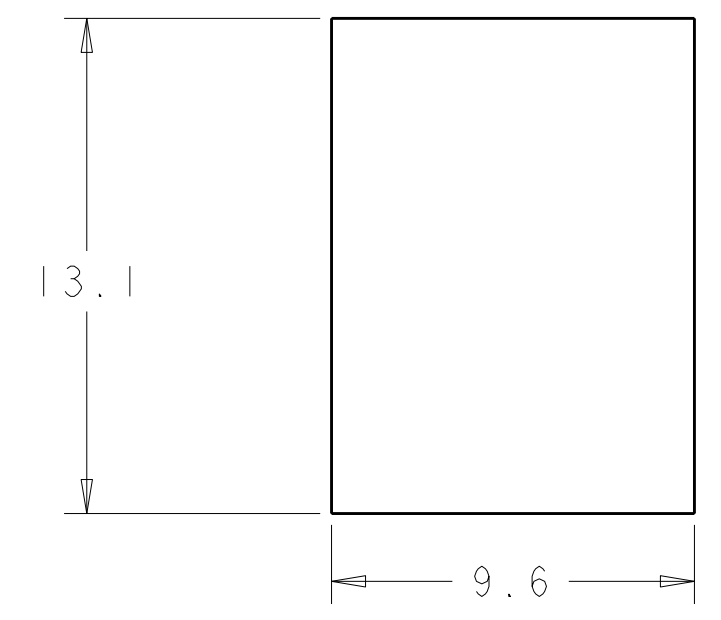
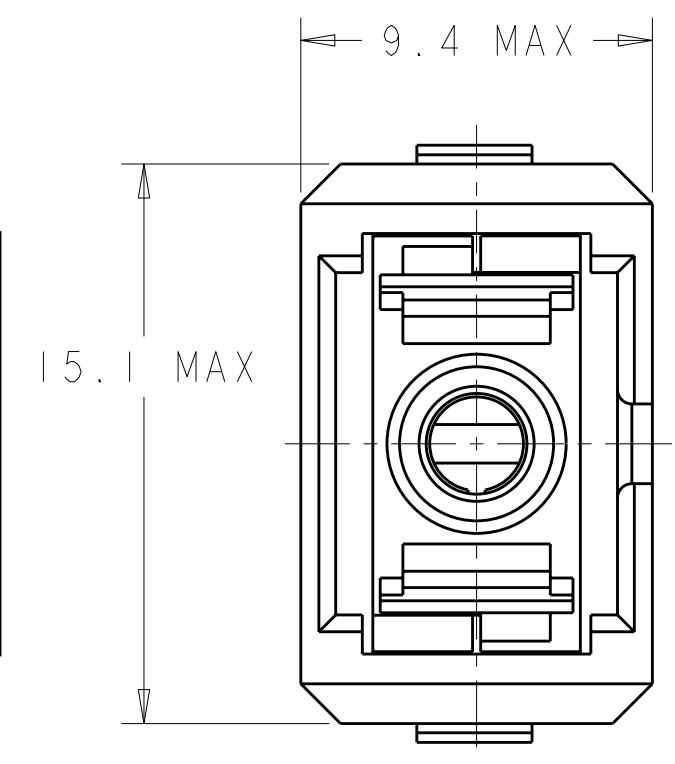
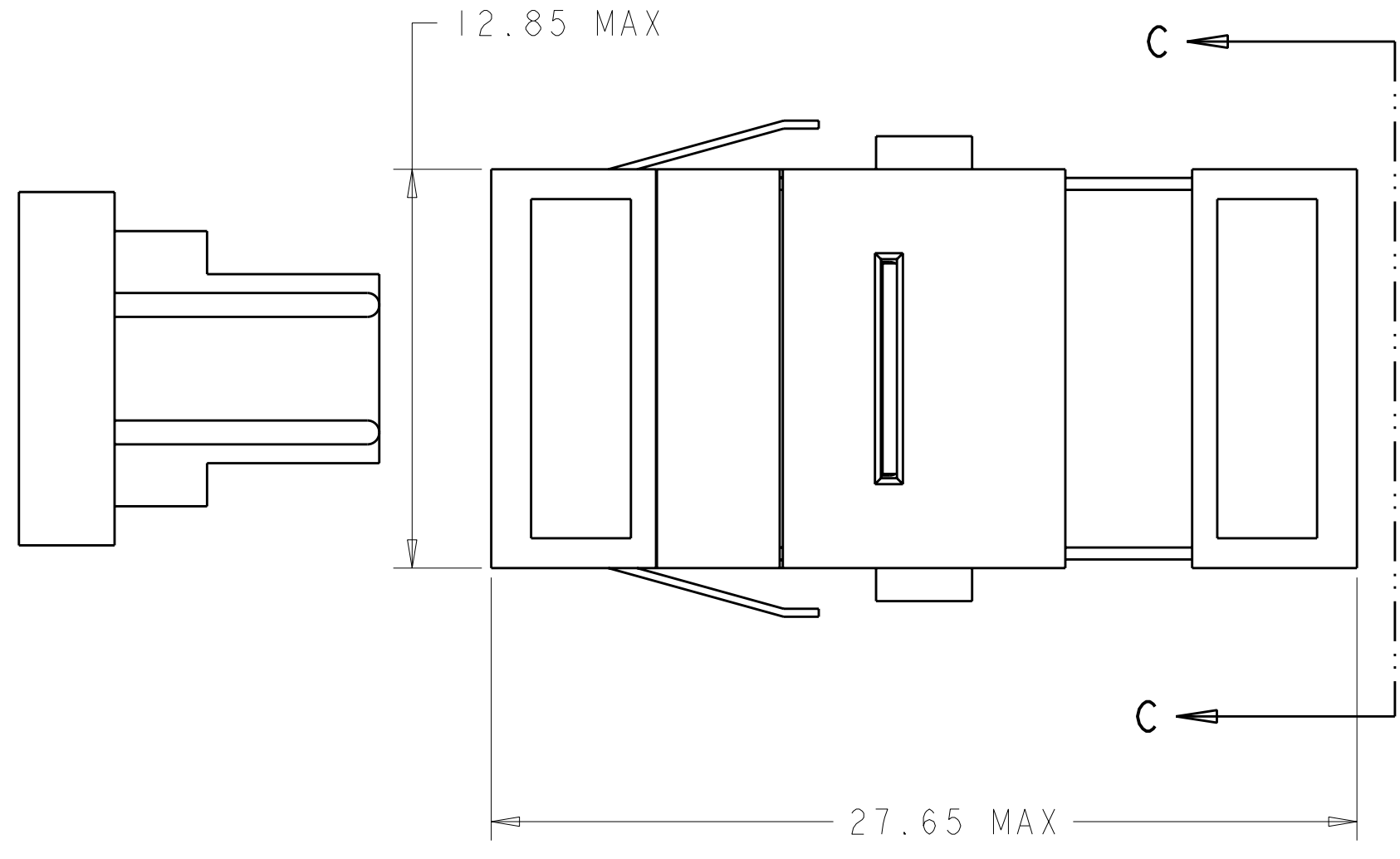


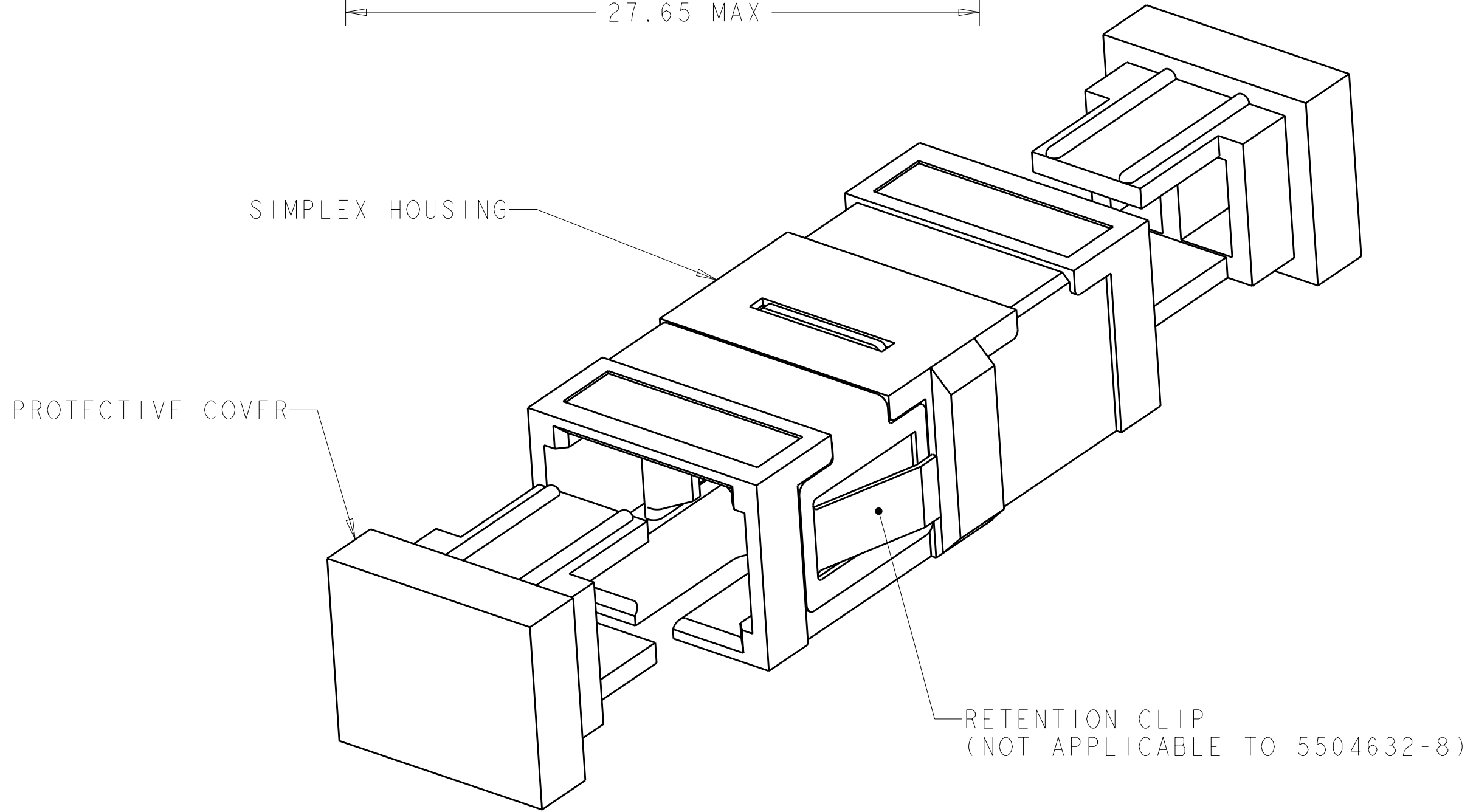
THIS DRAWING IS UNPUBLISHED. RELEASED FOR PUBLICATION 20
 © COPYRIGHT 20 BY TYCO ELECTRONICS CORPORATION. ALL INTERNATIONAL RIGHTS RESERVED.

LOC	DIST	REVISIONS			
P	LTR	DESCRIPTION	DATE	DWN	APVD
	D	REVISE PER ECR-09-012266	04JUN2009	KG	SB
	D1	REVISE PER ECR-09-023245	28OCT2009	IL	CT

⚠ MATERIAL:
 HOUSING: PBT-GF30, SEE DASH NUMBERS FOR COLOR.*
 RETAINER: PEI-GF30, COLOR: BLACK.*
 RETENTION CLIP: STAINLESS STEEL (NOT APPLICABLE TO 5504632-8).
 ALIGNMENT SLEEVE: SEE DASH NUMBERS
 PROTECTIVE COVER: TPE, COLOR: BLACK.*
 *UL94 V-0 RATED AT QUALIFYING THICKNESS.



SUGGESTED PANEL CUTOUT
 MAX PANEL THICKNESS 1.7



CERAMIC	GREEN	5504632-8
CERAMIC (LOW LOSS)	GREEN	5504632-7
CERAMIC	AQUA	5504632-6
CERAMIC	GREEN	5504632-5
CERAMIC	BLUE	5504632-4
METAL	BLUE	5504632-3
CERAMIC	BLACK	5504632-2
METAL	BLACK	5504632-1
ALIGNMENT SLEEVE	COLOR	PART NUMBER

<small>THIS DRAWING IS A CONTROLLED DOCUMENT FOR TYCO ELECTRONICS CORPORATION. IT IS SUBJECT TO CHANGE AND THE CONTROLLING ENGINEERING ORGANIZATION SHOULD BE CONTACTED FOR THE LATEST REVISION.</small>		DWN B. BRIGGS 16MAY2005 CHK S. MILLER 16MAY2005 APVD S. BUCHTER 16MAY2005	Tyco Electronics Tyco Electronics Corporation Shanghai, China		
DIMENSIONS: mm 		TOLERANCES UNLESS OTHERWISE SPECIFIED: 0 PLC ± 1 PLC ±0.1 2 PLC ±0.05 3 PLC ± 4 PLC ± ANGLES ± FINISH		NAME RECEPTACLE ASSEMBLY, SC TO SC PRODUCT SPEC - APPLICATION SPEC - WEIGHT -	
MATERIAL ⚠		CUSTOMER DRAWING		SIZE A2 CAGE CODE 00779 DRAWING NO. 5504632 RESTRICTED TO -	
		SCALE 5:1		SHEET 1 OF 1 REV D1	