

# Printed-circuit board connector - MSTBVA 2,5/ 3-G-5,08-LR - 1809270

Please be informed that the data shown in this PDF Document is generated from our Online Catalog. Please find the complete data in the user's documentation. Our General Terms of Use for Downloads are valid (<http://download.phoenixcontact.com>)

Header, Nominal current: 12 A, Rated voltage (III/2): 320 V, Number of positions: 3, Pitch: 5.08 mm, Color: green, Contact surface: Tin, Assembly: Soldering



## Key commercial data

|                        |  |
|------------------------|--|
| Packing unit           | 0  |
| Minimum order quantity | 1  |
| GTIN                   | <br>4 046356 703420 |
| Custom tariff number   | 85366990   |
| Country of origin      | GERMANY  |

## Technical data

### Dimensions / positions

|                     |          |
|---------------------|----------|
| Length              | 8.6 mm   |
| Height              | 14.6 mm  |
| Pitch               | 5.08 mm  |
| Dimension a         | 10.16 mm |
| Number of positions | 3        |
| Pin dimensions      | 1 x 1 mm |
| Hole diameter       | 1.4 mm   |

### Technical data

|                                  |                     |
|----------------------------------|---------------------|
| Range of articles                | MSTBVA 2,5/...-G-LR |
| Insulating material group        | IIIa                |
| Rated surge voltage (III/3)      | 4 kV                |
| Rated surge voltage (III/2)      | 4 kV                |
| Rated surge voltage (II/2)       | 4 kV                |
| Rated voltage (III/2)            | 320 V               |
| Rated voltage (II/2)             | 400 V               |
| Connection in acc. with standard | EN-VDE              |
| Nominal current I <sub>N</sub>   | 12 A                |
| Nominal voltage U <sub>N</sub>   | 250 V               |
| Maximum load current             | 12 A                |

# Printed-circuit board connector - MSTBVA 2,5/ 3-G-5,08-LR - 1809270

## Technical data

### Technical data

|   |       |
|---|-------|
| Insulating material                     | PBT   |
| Inflammability class according to UL 94 | V0    |
| Color                                   | green |

## Classifications

### eclass

|            |          |
|------------|----------|
| eCl@ss 5.1 | 27141190 |
| eCl@ss 6.0 | 27260704 |

## Accessories

### Accessories

#### Assembly

Accessories - MSTB-BL - 1755477



Keying cap, for forming sections, plugs onto header pin, green insulating material

## Marking

Marker cards - SK 5,08/3,8:FORTL.ZAHLEN - 0804293



Marker cards, Card, white, Labeled, Horizontal: Consecutive numbers 1 - 10, 11 - 20, etc. up to 91 - (99)100, Mounting type: Adhesive, For terminal block width: 5.08 mm

## Plug/Adapter

Keying star - CR-MSTB - 1734401

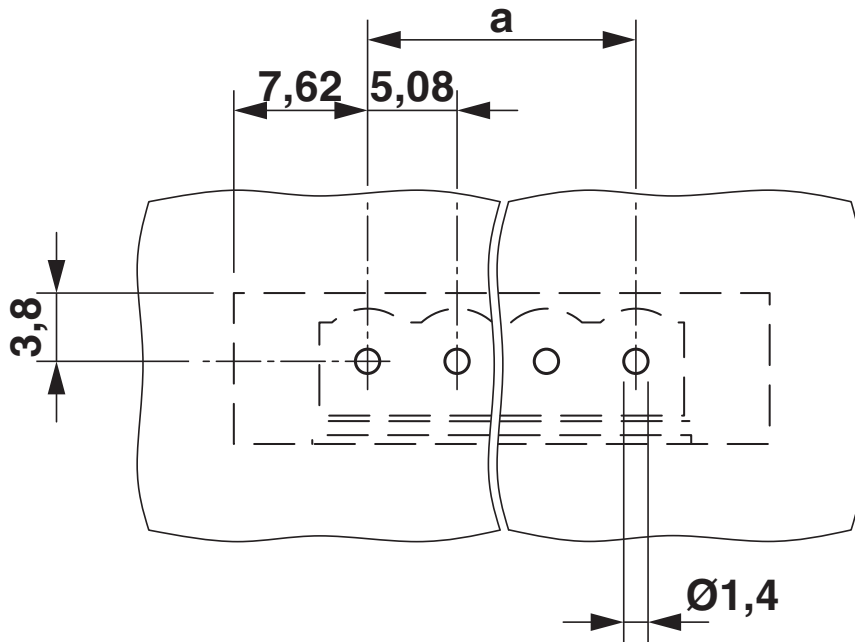


Coding section, inserted into the recess in the header or the inverted plug, red insulating material

## Drawings

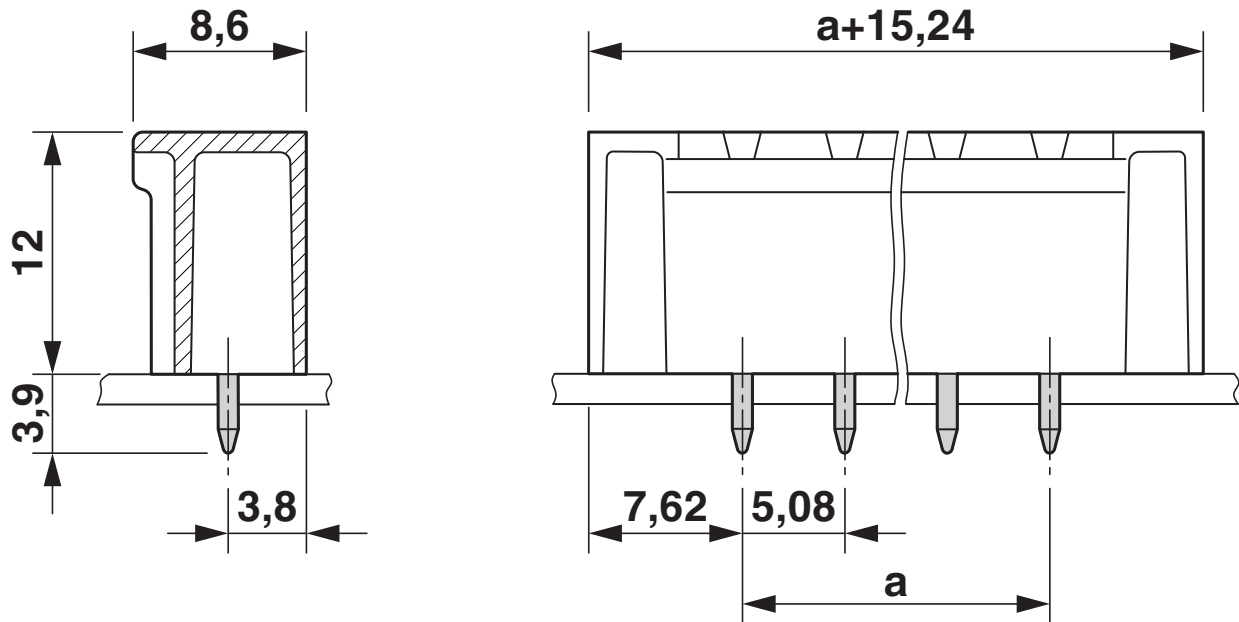
# Printed-circuit board connector - MSTBVA 2,5/ 3-G-5,08- LR - 1809270

Drilling diagram



# Printed-circuit board connector - MSTBVA 2,5/ 3-G-5,08- LR - 1809270

Dimensioned drawing





---

© Phoenix Contact 2012 - all rights reserved  
<http://www.phoenixcontact.com>