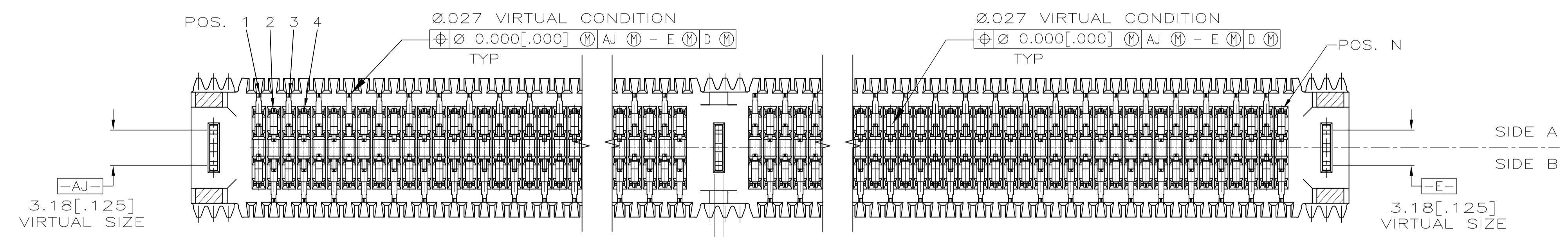
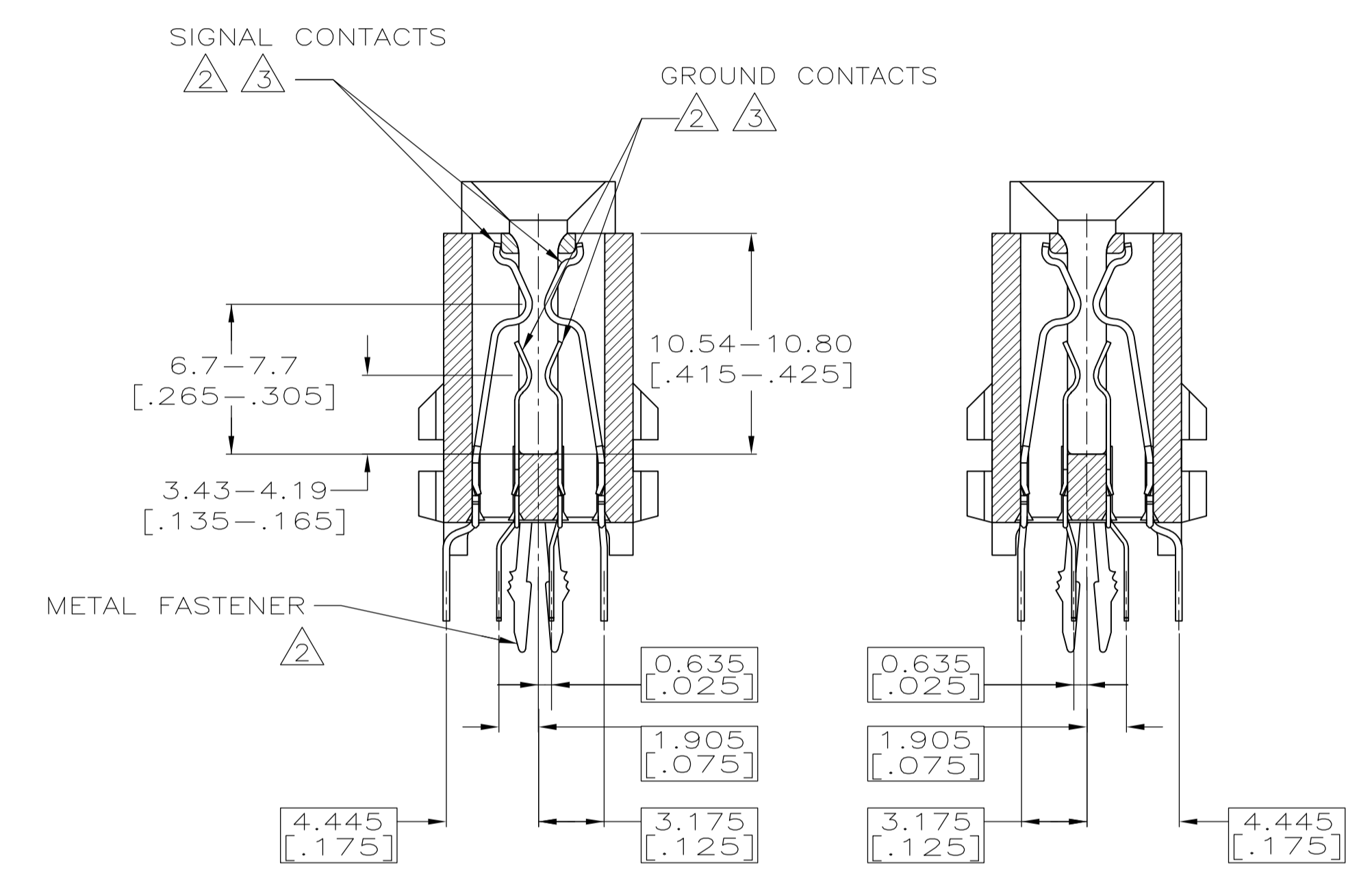
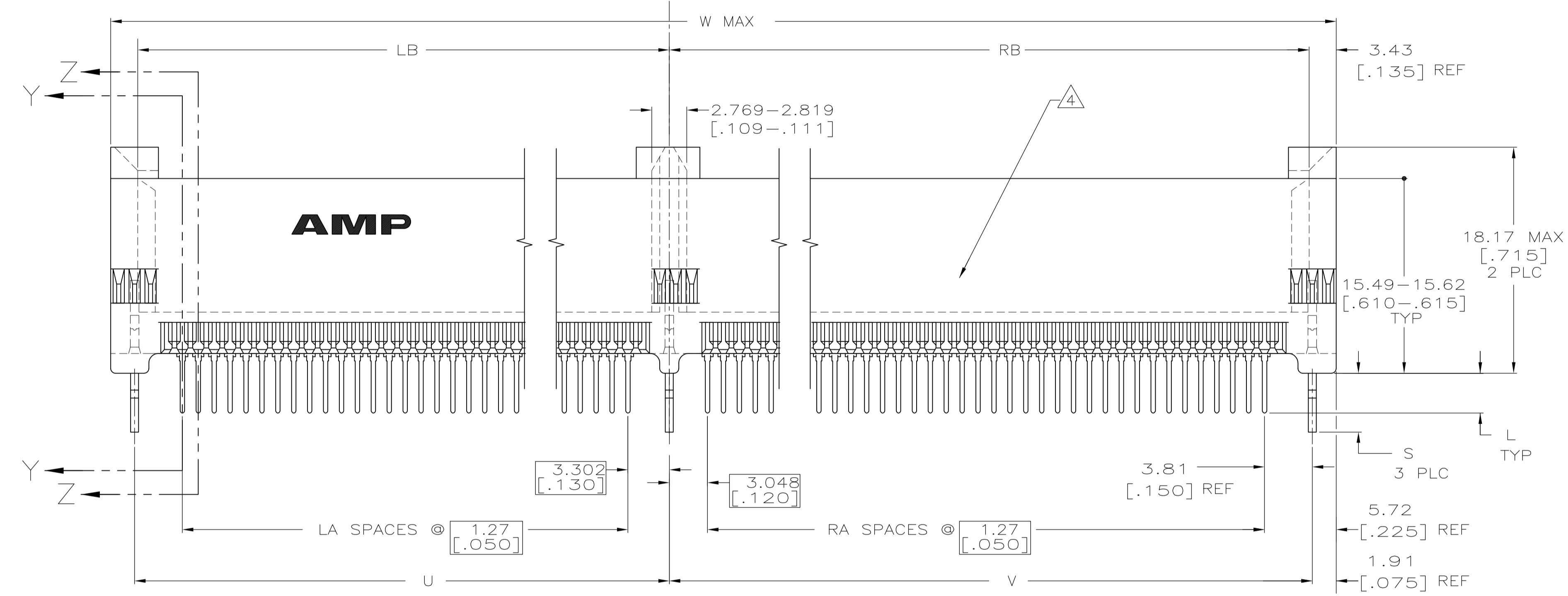
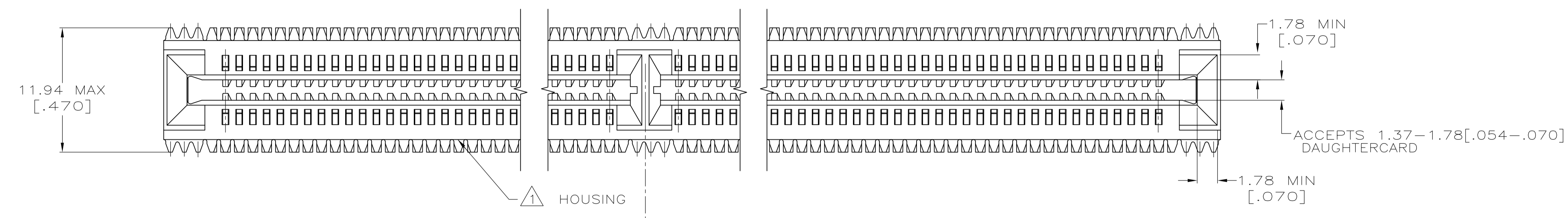


LOC	DIST	REVISIONS			
P	LTR	DESCRIPTION	DATE	DMN	APVD
B		ECO-07-024387	19OCT07	LAM	PR
B1		REVISED PER ECO-09-024927	07NOV09	KK	IAEG



RC	RB	RA	LC	LB	LA	W	V	U	T	S	L	NO. OF TOTAL POSN	NO. OF QUAD POSN	PART NUMBER
129.41 [5.095]	129.67-129.92 [5.105-5.115]	97	103.00 [4.055]	103.25-103.51 [4.065-4.075]	76	237.90 [9.366]	129.97-130.12 [5.12-5.12]	103.56-103.71 [4.077-4.083]	103.63 [4.080]	4.44-4.95 [.175-.195]	2.29-2.79 [.090-.110]	700	175	5-5145427-3
111.63 [4.395]	111.89-112.14 [4.405-4.415]	83	89.02 [3.505]	89.28-89.54 [3.515-3.525]	65	206.15 [8.116]	112.19-112.34 [4.417-4.423]	89.59-89.74 [3.527-3.533]	89.66 [3.530]	4.44-4.95 [.175-.195]	2.29-2.79 [.090-.110]	600	150	4-5145427-1
96.39 [3.795]	96.65-96.90 [3.805-3.815]	71	78.88 [3.105]	79.12-79.38 [3.115-3.125]	57	180.75 [7.116]	96.95-97.10 [3.817-3.823]	79.43-79.58 [3.127-3.133]	79.51 [3.130]	4.44-4.95 [.175-.195]	2.29-2.79 [.090-.110]	520	130	3-5145427-3
83.69 [3.295]	83.95-84.20 [3.305-3.315]	61	66.17 [2.605]	66.42-66.68 [2.615-2.625]	47	155.35 [6.116]	84.25-84.40 [3.317-3.323]	66.73-66.88 [2.627-2.633]	66.81 [2.630]	4.44-4.95 [.175-.195]	2.29-2.79 [.090-.110]	440	110	2-5145427-5
76.07 [2.695]	68.71-68.96 [2.705-2.715]	49	56.01 [2.205]	56.26-56.52 [2.215-2.225]	39	129.95 [5.116]	69.01-69.16 [2.717-2.723]	56.57-56.72 [2.227-2.233]	56.64 [2.230]	4.44-4.95 [.175-.195]	2.29-2.79 [.090-.110]	360	90	1-5145427-7
55.75 [2.195]	56.01-56.26 [2.205-2.215]	39	43.31 [1.705]	43.56-43.82 [1.715-1.725]	29	104.55 [4.116]	56.31-56.46 [2.217-2.223]	43.87-44.02 [1.727-1.733]	43.94 [1.730]	4.44-4.95 [.175-.195]	2.29-2.79 [.090-.110]	280	70	5145427-9
48.13 [1.895]	48.39-48.64 [1.905-1.915]	33	38.23 [1.505]	38.48-38.74 [1.515-1.525]	25	91.85 [3.616]	48.69-48.84 [1.917-1.923]	38.79-38.94 [1.527-1.533]	38.86 [1.530]	4.44-4.95 [.175-.195]	2.29-2.79 [.090-.110]	240	60	5145427-5

- MATERIAL: PCT, COLOR- BROWN.
- UPPER & LOWER CONTACT MATERIAL: PHOSPHOR BRONZE PER CDA C51100. FASTENER MATERIAL: BRASS
- CONTACT FINISH:
ON MATING SURFACES-
0.00076 [.000030] MIN GOLD PLATE OVER
0.00127 [.000050] MIN NICKEL.
ON SOLDER LEADS-
0.00254 [.000100] MIN TIN.
- PART NUMBER AND DATE CODE MARKED ON THIS SURFACE.
- OBSOLETE PARTS: OBSOLETE CIS STREAMLINING PER D.RENAUD/D.SINISI

OBSELETE
OBSELETE
OBSELETE
SUPERCEDED WITH 6658664-2

THIS DRAWING IS A CONTROLLED DOCUMENT.

DIMENSIONS: mm

TOLERANCES UNLESS OTHERWISE SPECIFIED:
0 PLC ± -
1 PLC ± .005
2 PLC ± .01 [0.005]
3 PLC ± .015
4 PLC ± .025

MATERIAL: SEE NOTE 1

FINISH: SEE NOTE 3

WEIGHT: -

CUSTOMER DRAWING

DIN L VARELA - DOCKS 27-01-05
CIK M PERCHERKE 27-01-05
APVD M PERCHERKE 27-01-05

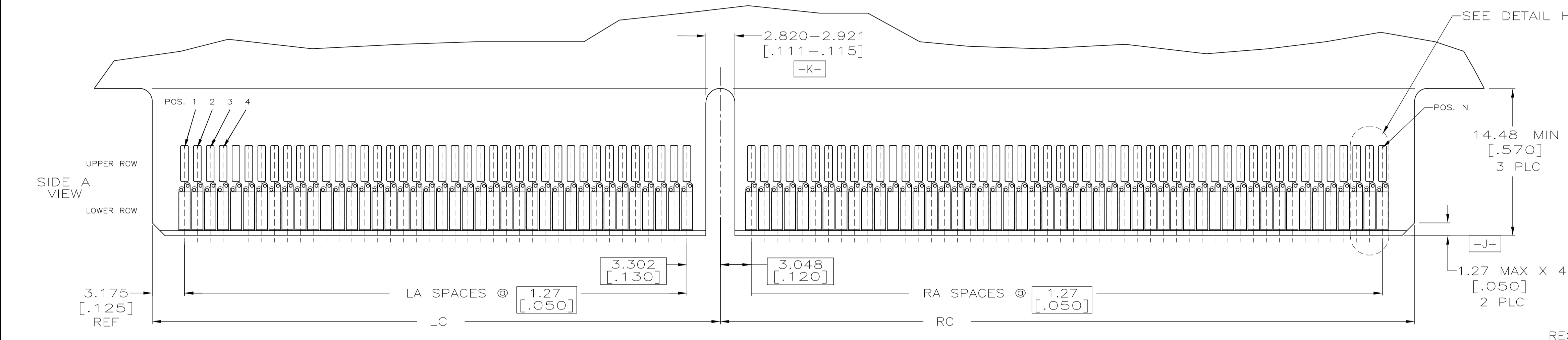
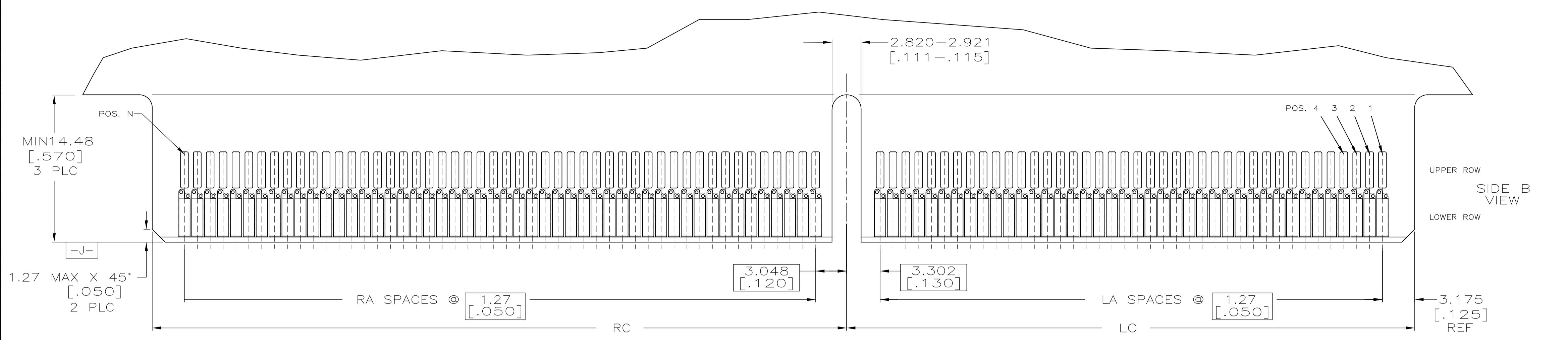
Tyco Electronics Corporation
Harrisburg, PA 17105-3608

CONNECTOR ASSEMBLY,
AMP SEC-Z
(FOR .062 DAUGHTER BOARD)

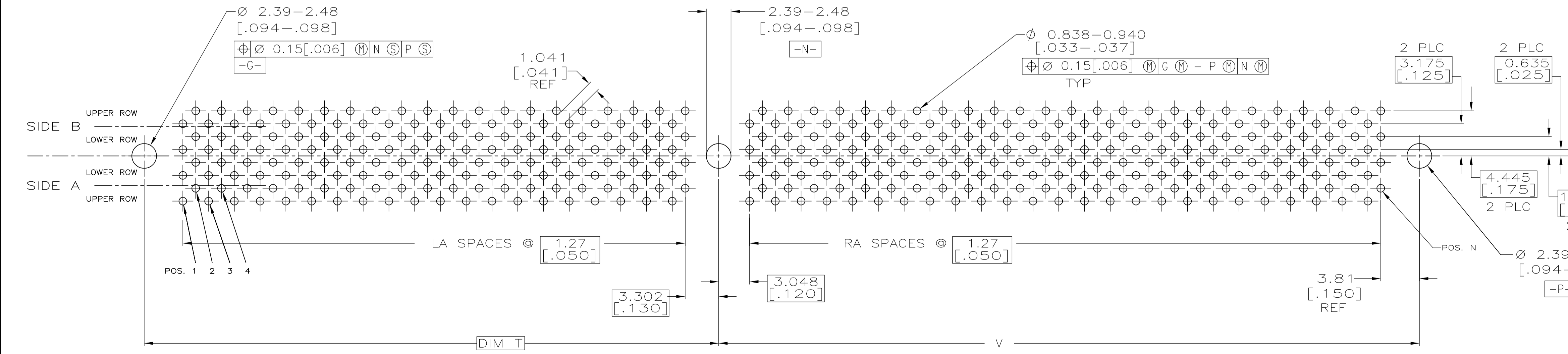
SIZE: A1
CASE CODE: 00779
DRAWING NO: 5145427
RESTRICTED TO: -

SCALE: 4:1
SHEET: 1 OF 2
REV: B1

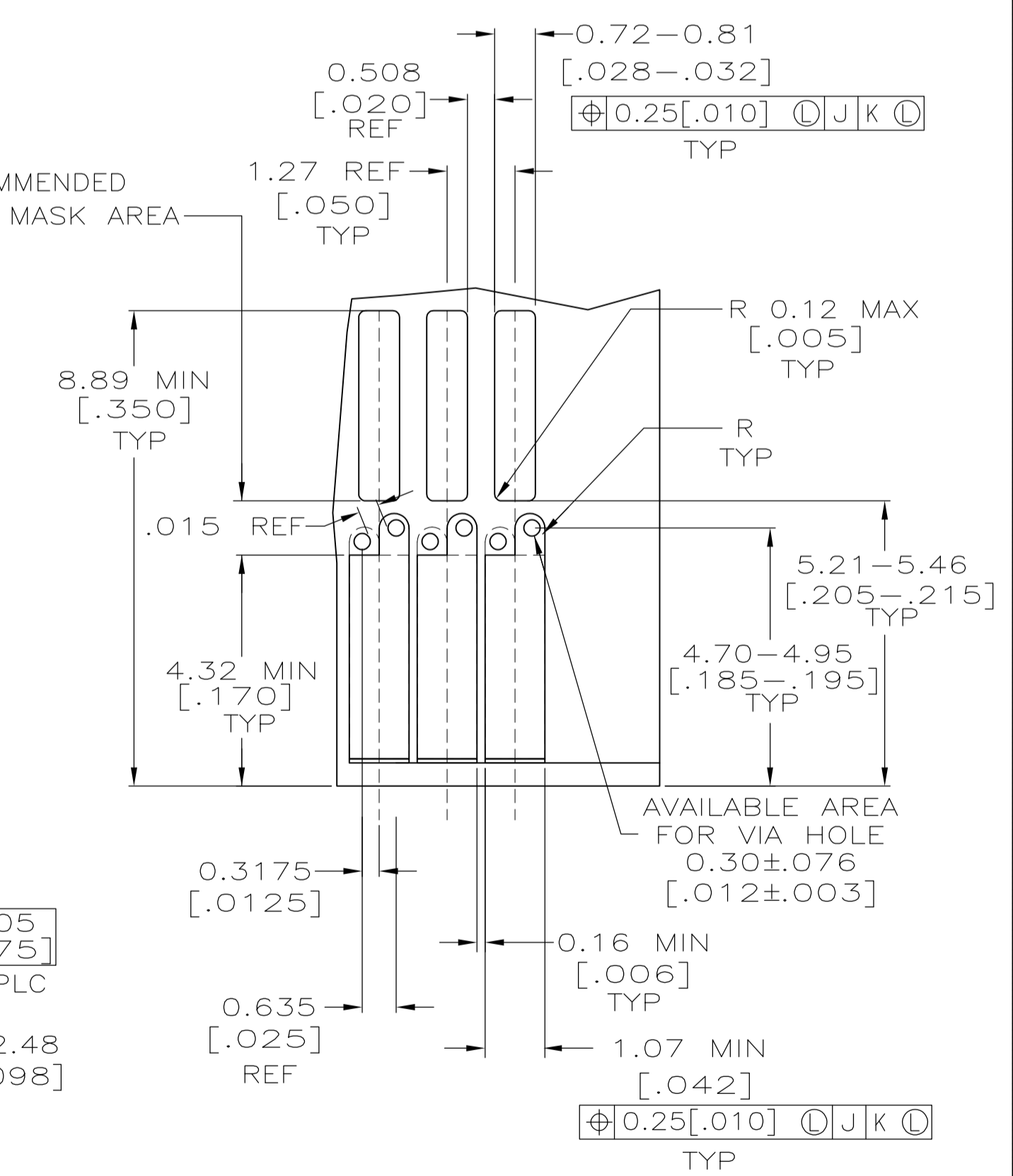
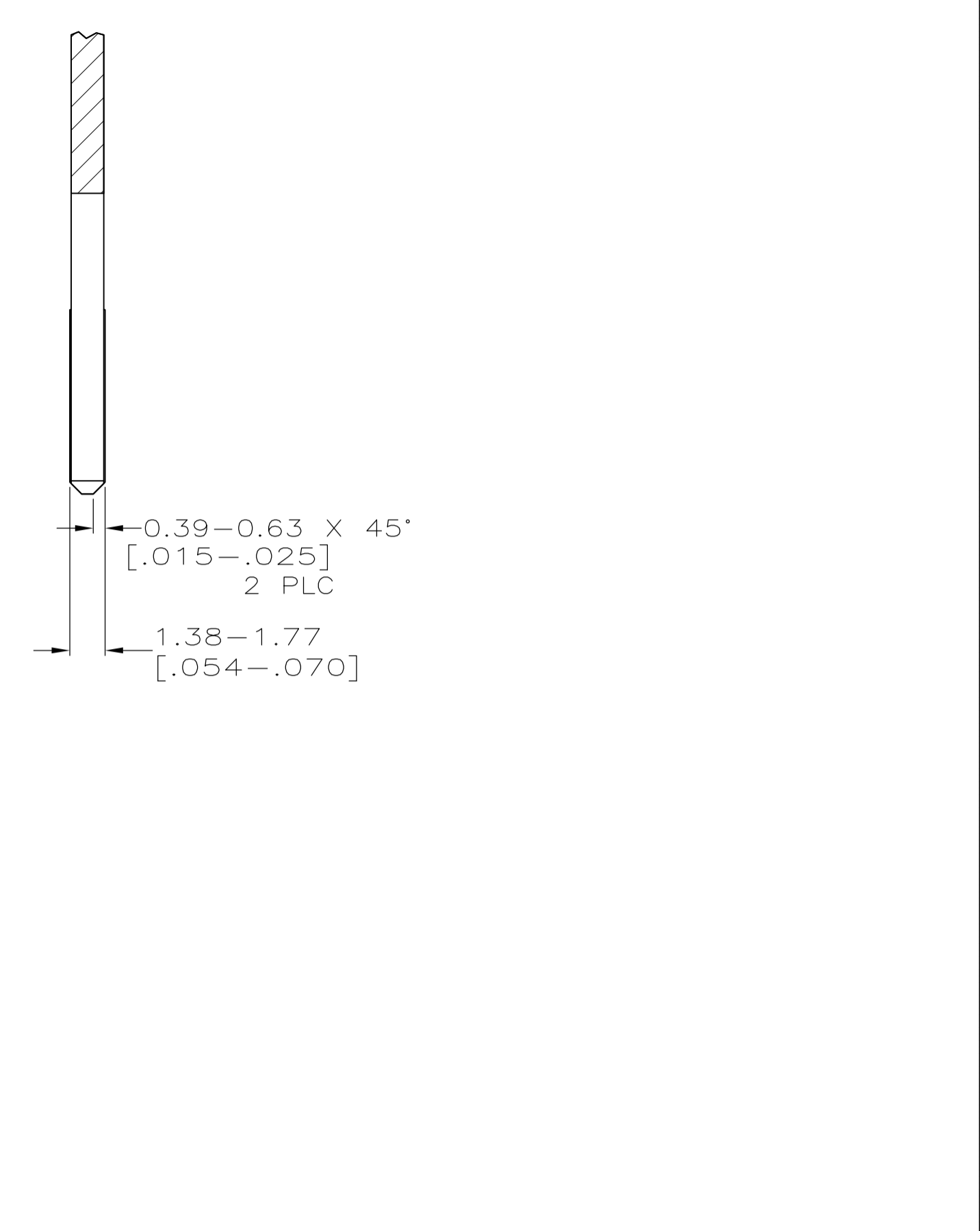
LOC		DIST		REVISIONS			
AA	00	F	LTR	DESCRIPTION	DATE	DN	APVD
				SEE SHEET 1			



RECOMMENDED FREE BOARD EDGE CONFIGURATION



RECOMMENDED FIXED BOARD CONFIGURATION
(CONNECTOR SIDE SHOWN)



DETAIL H
SCALE: 10 : 1

THIS DRAWING IS A CONTROLLED DOCUMENT.		DIN L VARELA - DOOKS 01-27-05	Tyco Electronics Tyco Electronics Corporation Harrisburg, PA 17105-3608
DIMENSIONS: mm		CIK M PERCHERKE 01-27-05	
TOLERANCES UNLESS OTHERWISE SPECIFIED:		APVD M PERCHERKE 01-27-05	NAME CONNECTOR ASSEMBLY, AMP SEC-Z (FOR .062 DAUGHTER BOARD)
0 PLC ± -		SIZE CASE CODE DRAWING NO	
1 PLC ± -		WEIGHT	RESTRICTED TO
2 PLC ± ± .13 [0.005]		A1 00779 C=5145427	SCALE 4:1 SHEET 2 OF 2 REV B1
3 PLC ± ± -		CUSTOMER DRAWING	
4 PLC ± ± -			
ANGLES ± ± °			
MATERIAL FINISH			