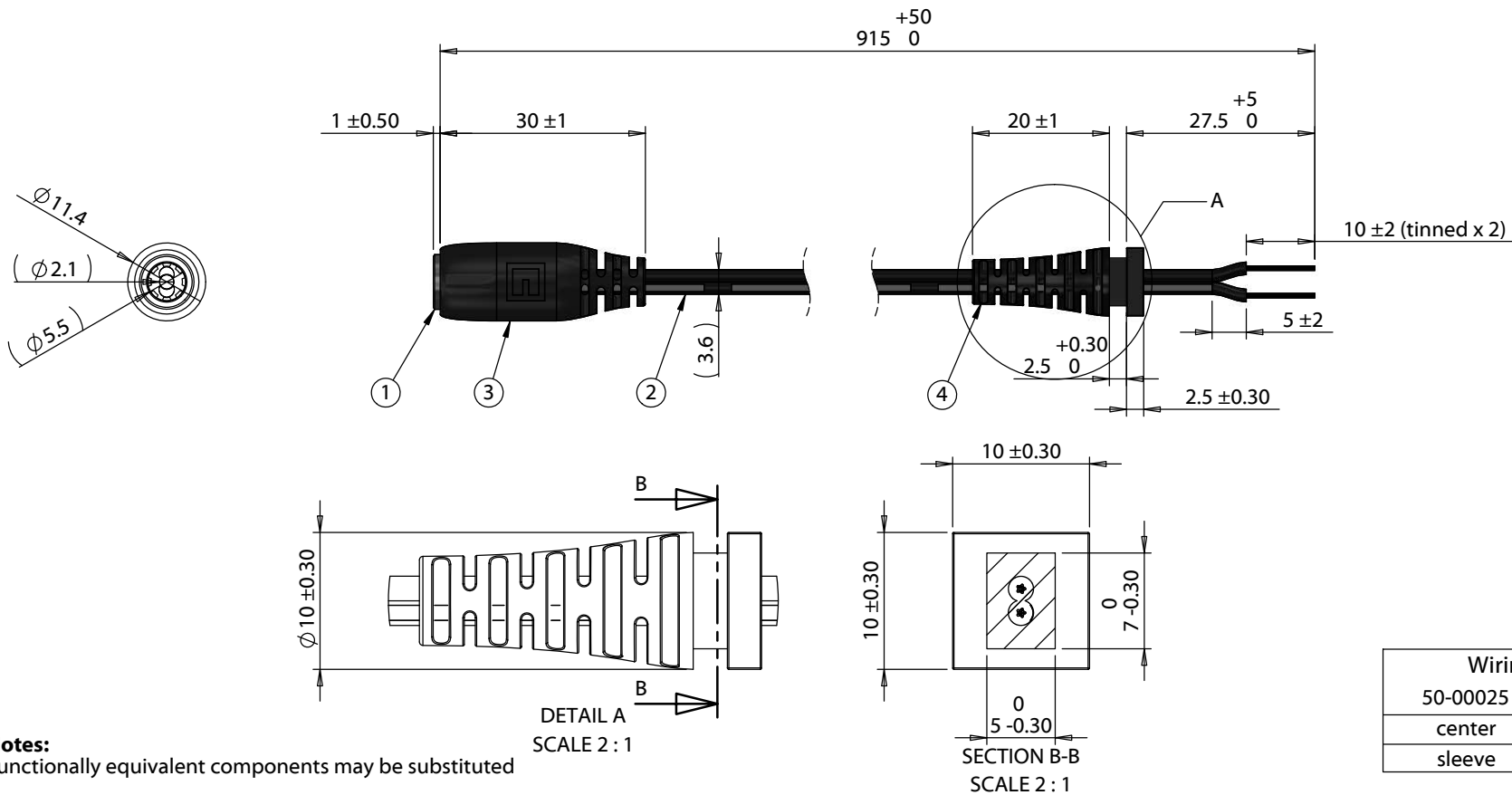


| ITEM NO. | PART NUMBER | DESCRIPTION | QTY. | COMPONENT NOTES |
|----------|-------------|--|------|-----------------|
| 1 | 50-00025 | Connector, dc jack, 5.5x2.1xL17.4 mm, molding style | 1 | |
| 2 | 30-00003 | Wire, 2C BC, 24 AWG, UL2468, 300V, 80C, 3.6 mm, VW-1, PVC, 76A | 1 | |
| 3 | 24-00004 | Overmold, PVC | 1 | black |
| 4 | 24-00251 | Overmold, strain relief, 7x5x2.5 mm bushing, UL2468 wire | 1 | black |



Notes:
Functionally equivalent components may be substituted

| | | | | | |
|-----------|------------|-----------------|--|---|--|
| Revision: | Date: | Description: | Prepared: | Notes: RoHS and REACH compliant Function test: no open, no short circuit, no intermittent | <h1>TENSILITY</h1> <p>tel 1.541.323.3228 800 877.670.7118 fax 1.541.323.4202 web tensility.com</p> |
| A | 03/28/2018 | Initial release | Verified: | | |
| | | | Dimensions are in millimeters. Tolerances: X: ± 0.5 mm X.X: ± 0.3 mm X.XX: ± 0.05 mm | Description: Cable, 915 mm, 5.5x2.1 mm 50-00025 dc jack to strain relief 10 mm tinned, 24 AWG, UL2468 wire | Size: A |
| | | | | | Part number: 10-02964 |
| | | | | | Scale: 1:1 |
| | | | | | Sheet 1 of 1 |

5

4

3

2

1