



## FEATURES

- RoHS compliant
- 1.27μH to 17.6μH
- Up to 15.4A I<sub>DC</sub>
- Toroidal construction minimizes EMI
- Compact size
- Surface mount
- UL94 V-0 package materials
- Pick & place compatible
- J-STD-020C reflow
- Backward compatible with Sn/Pb soldering systems

## DESCRIPTION

The 4200 series is a range of surface mount toroidal inductors designed for use in switching power supplies and DC/DC converters. The parts are ideal for applications requiring low profile compact components in a surface mount package.

## SELECTION GUIDE

Order Code	Inductance (100kHz, 0.1V <sub>AC</sub> )	DC Current <sup>1</sup>	DC Resistance	SRF	Package Dimensions (Max.)			Pad Dimensions		Carrier Tape Dimensions			Package Weight	Reel (Box) Quantity <sup>3</sup>
								D	E	F	G	H		
					+15%	Max.	Max.	Min.	A	B	C	D		
	μH	A	mΩ	MHz	mm	mm	mm	mm	mm	mm	mm	mm	mm	g
<b>42132C</b>	1.27	14.3	2.5	244	15.70	9.4	15.37	12.70	11.18	20	24	9.5	3.5	300
<b>42212C</b>	2.10	11.5	3.8	162	15.70	9.4	15.37	12.70	11.18	20	24	9.5	3.4	(60)
<b>42282C</b>	2.84	13.9	3.5	116	17.00	9.9	17.00	14.48	12.45	24	32	10.5	5.0	250 (60)
<b>42422C</b>	4.23	11.4	5.2	90	17.00	9.9	17.00	14.48	12.45	24	32	10.5	4.8	
<b>42652C</b>	6.5	12.4	6.0	57	18.80	9.9	18.80	16.26	14.20	24	32	10.7	6.8	
<b>42842C</b>	8.45	10.4	8.0	50	18.80	9.9	18.80	16.26	14.20	24	32	10.7	6.4	180
<b>42103C</b>	10.2	15.4	6.0	38	23.88	9.9	23.88	21.08	17.78	32	44	1.08	12.3	
<b>42183C</b>	17.6	10.9	11.6	24	23.88	9.9	23.88	21.08	17.78	32	44	10.8	12.5	

## ABSOLUTE MAXIMUM RATINGS

Operating temperature range	-40°C to +125°C
Storage temperature range	-40°C to +130°C

## SOLDERING INFORMATION<sup>2</sup>

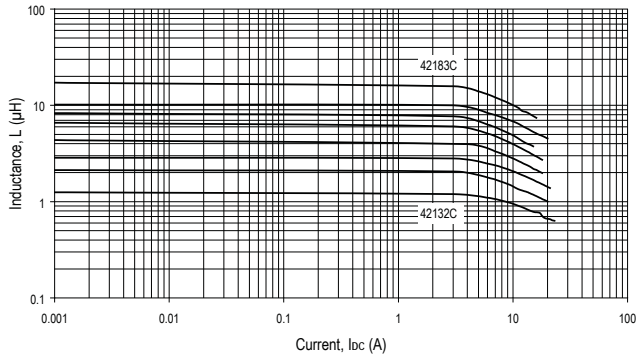
Peak reflow temperature	245°C
Pin finish	Pure tin dip
Moisture sensitivity level	1

All specifications typical at T<sub>A</sub>=25°C

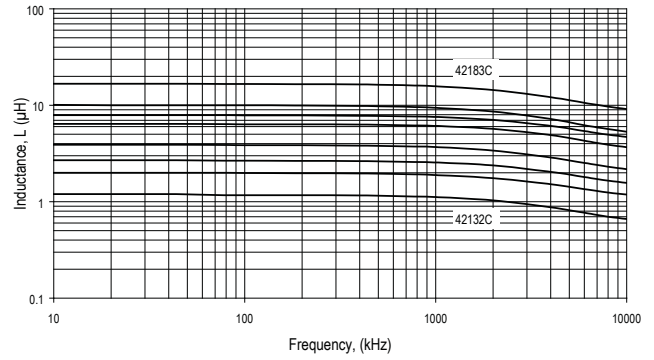
- 1 Maximum DC current occurs when the temperature rise reaches 55°C.
- 2 For further information, please visit [www.murata-ps.com/rohs](http://www.murata-ps.com/rohs)
- 3 If components are required in tape & reel format, suffix order code with '-R', e.g. 42132C-R



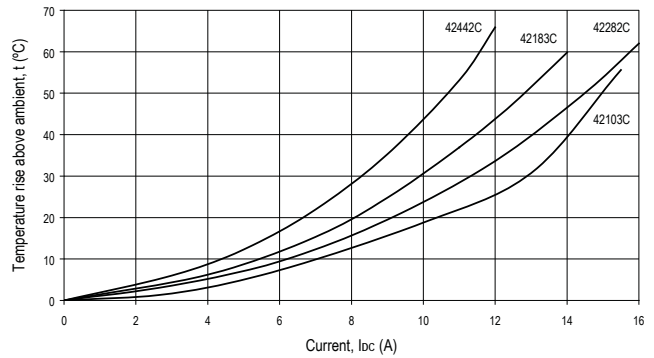
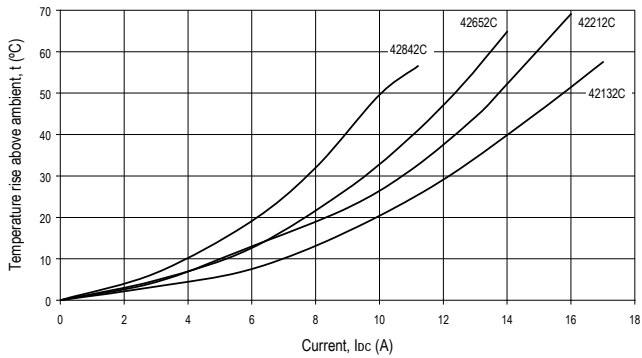
**INDUCTANCE Vs CURRENT**



**INDUCTANCE Vs FREQUENCY**



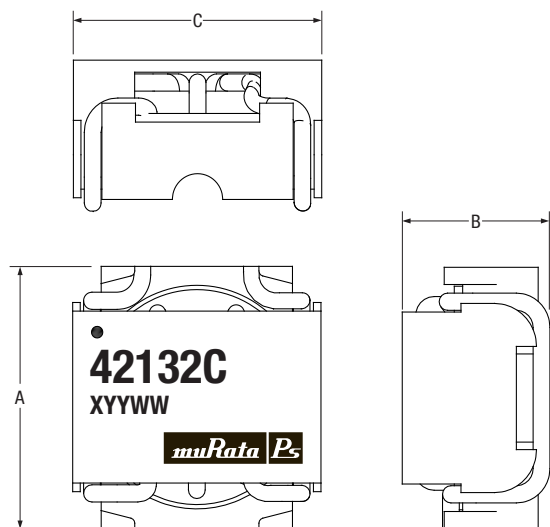
**TEMPERATURE Vs CURRENT**



**PACKAGE SPECIFICATIONS**

**MECHANICAL DIMENSIONS**

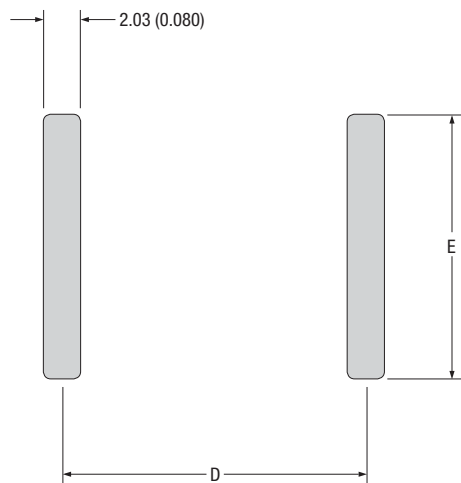
See Selection Guide for dimensions.



Package weight: See Selection Guide.

**RECOMMENDED FOOTPRINT DETAILS**

See Selection Guide for dimensions.

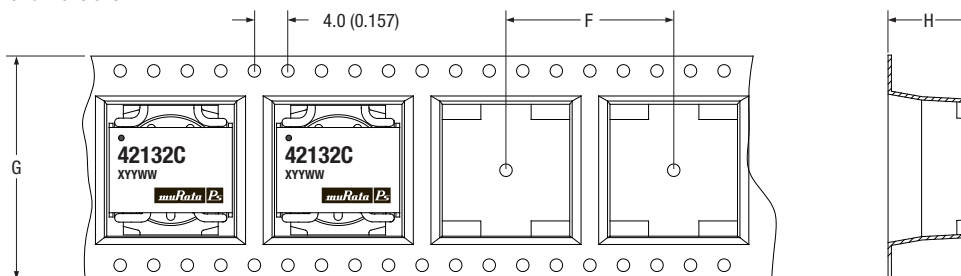


All dimensions in mm (inches).

**TAPE & REEL SPECIFICATIONS**

**TAPE OUTLINE DIMENSIONS**

See Selection Guide for dimensions.



All dimensions in mm (inches).  
See Selection Guide for package quantities.

Murata Power Solutions, Inc.  
11 Cabot Boulevard, Mansfield, MA 02048-1151 U.S.A.  
ISO 9001 and 14001 REGISTERED

Murata Power Solutions, Inc. makes no representation that the use of its products in the circuits described herein, or the use of other technical information contained herein, will not infringe upon existing or future patent rights. The descriptions contained herein do not imply the granting of licenses to make, use, or sell equipment constructed in accordance therewith. Specifications are subject to change without notice.  
© 2011 Murata Power Solutions, Inc.