

ISL9104xxxxEVAL1Z, ISL9104AxxxxEVAL1Z Evaluation Board Application Manual

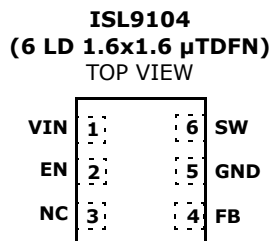
Description

The ISL9104 evaluation kit provides a test platform for the ISL9104 4.3MHz low quiescent current, high efficiency integrated step-down regulator. The ISL9104 is capable of delivering 500mA output current. For adjustable output option, the output voltage can be programmed through the external feedback resistors R1 and R2 on the board (on board the default output voltage is set to be 1.6V but it can be programmed for the range of 0.8V to V_{IN}). It is also offered in many fixed output voltage options including 1.2V, 1.5V, 1.8V, 2.0V, 2.5V, 2.8V and 3.3V.

The complete ISL9104 regulator is located at the center of the board. On the left side of the board are the connectors for the input power source (V_{IN} and GND). The output connectors are located on the right side (V_O and GND). Jumper JP1 allows the user to enable or disable the IC.

The evaluation board schematic, layout and bill of materials (BOM) can be found at the end of this application note.

Pinout



Features

- A Complete Evaluation Platform for ISL9104, ISL9104A
- Convenient Jumpers for Enable/Disable Operation
- Pb-Free (RoHS Compliant)

Recommended Equipment

The following instruments are recommended for testing:

- Power supplies: DC 6.5V/1A
- Electronic load: 0mA to 500mA
- Multimeters
- Function generator
- Oscilloscope
- Cables and wires

Recommended Operating Conditions

- Input voltage: from 2.7V or ($V_{OUT} + V_{DROP}$) whichever is higher to 6.0V. Here $V_{DROP} = I_{LOAD} * (r_{DSON_PFET} + R_L)$. r_{DSON_PFET} is the ON-resistance of the high-side power P-MOSFET and R_L is the DCR of the inductor.
- Loading current: 0mA ~ 500mA
- Ambient temperature range: -40°C ~ +85°C

NOTE: For the fixed output options, the output voltage is pre-set in the factory. For the adjustable output options, the output voltage can be programmed through the external resistor network from V_{OUT} to FB to GND, where $V_{OUT} = 0.8V * (1 + R2/R1)$, please refer to ISL9104, ISL9104A data sheet [FN6829](#) for recommended component values. On board, the default output voltage is set at 1.6V for the adjustable output options.

Setup Guide

1. Place shunt on JP1 at the position of "Enable" to enable the device. Put shunt on JP1 at the position of "Disable" will disable the device.
2. Connect the DC power supply between V_{IN} and GND connectors. Make sure the power supply has enough supply current capability. Do not adjust the V_{IN} higher than the recommended maximum supply voltage (6.0V).
3. Connect the output to a load (resistor or electronic load).
4. Turn on the input power supply and evaluate the device.

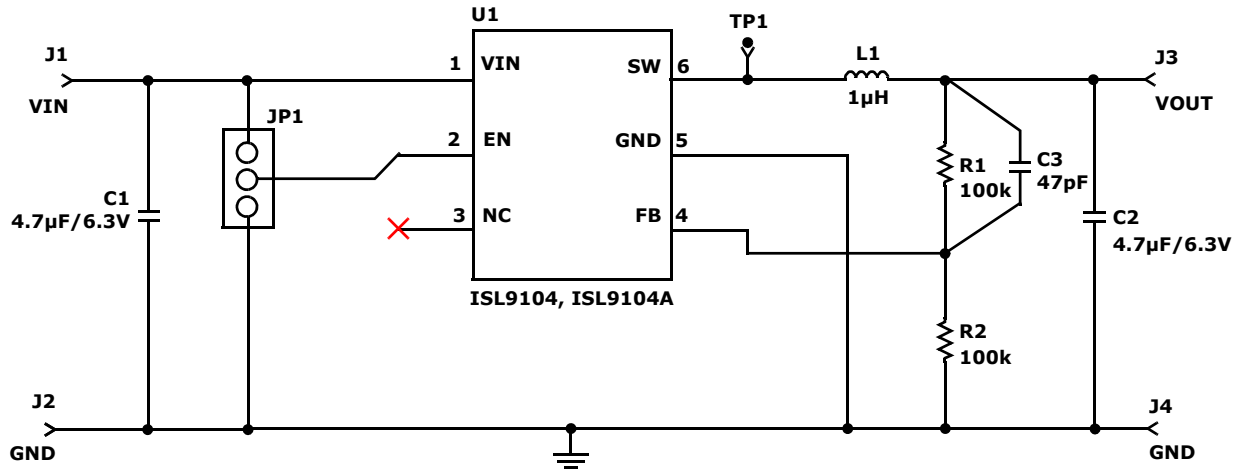
Ordering Information

PART NUMBER	DESCRIPTION
ISL9104IRUNEVAL1Z	Evaluation Board for ISL9104IRUNZ-T (3.3V)
ISL9104IRUJEVAL1Z	Evaluation Board for ISL9104IRUJZ-T (2.8V)
ISL9104IRUFEVAL1Z	Evaluation Board for ISL9104IRUFZ-T (2.5V)
ISL9104IRUDEVAL1Z	Evaluation Board for ISL9104IRUDZ-T (2.0V)
ISL9104IRUCEVAL1Z	Evaluation Board for ISL9104IRUCZ-T (1.8V)
ISL9104IRUBEVAL1Z	Evaluation Board for ISL9104IRUBZ-T (1.5V)
ISL9104IRUWEVAL1Z	Evaluation Board for ISL9104IRUWZ-T (1.2V)
ISL9104IRUAEVAL1Z	Evaluation Board for ISL9104IRUAZ-T (Adjustable)

Ordering Information (Continued)

PART NUMBER	DESCRIPTION
ISL9104AIRUNEVAL1Z	Evaluation Board for ISL9104AIRUNZ-T (3.3V)
ISL9104AIRUJEVAL1Z	Evaluation Board for ISL9104AIRUJZ-T (2.8V)
ISL9104AIRUFEVAL1Z	Evaluation Board for ISL9104AIRUFZ-T (2.5V)
ISL9104AIRUDEVAL1Z	Evaluation Board for ISL9104AIRUDZ-T (2.0V)
ISL9104AIRUCEVAL1Z	Evaluation Board for ISL9104AIRUCZ-T (1.8V)
ISL9104AIRUBEVAL1Z	Evaluation Board for ISL9104AIRUBZ-T (1.5V)
ISL9104AIRUWEVAL1Z	Evaluation Board for ISL9104AIRUWZ-T (1.2V)
ISL9104AIRUA EVAL1Z	Evaluation Board for ISL9104AIRUAZ-T (Adjustable)

Evaluation Board Schematic



NOTE: FOR THE FIXED OUTPUT VOLTAGE OPTIONS, R1 = 0, C3 AND R2 NOT POPULATED

FIGURE 1. ISL9104, ISL9104A EVALUATION BOARD SCHEMATIC

Application Note 1522

Bill of Materials (BOM)

ITEM	QTY	REFERENCE	PART DESCRIPTION	PCB FOOTPRINT	PART NUMBER	VENDOR	NOTE
1	1	U1	ISL9104 or ISL9104A	1.6x1.6 6 Ld μ TDFN		Intersil	
2	2	C1, C2	Capacitor, SMD, 4.7 μ F, 10%, X5R	0603	GRM188R60J475KE19D	Murata	
3	1	C3	Capacitor, SMD 47pF, 5%, X7R	0402	GRM36COG470J050AQ	Murata	Only populated for boards with part numbers ISL9104IRUAEVAL1Z and ISL9104AIRUAEVAL1Z. For boards with other part numbers, it is unpopulated.
4	1	R1	Resistor, SMD, 100k Ω , 1%, 0.1W	0402	ERJ2RKF1003	Panasonic	
5	1	R1	Resistor, SMD, 0 Ω	0402	Generic	Generic	Populated for all boards with other part numbers EXCEPT ISL9104IRUAEVAL1Z and ISL9104AIRUAEVAL1Z
6	1	R2	Resistor, SMD, 100k Ω , 1%	0402	ERJ2RKF1003	Panasonic	Only populated for boards with part numbers ISL9104IRUAEVAL1Z and ISL9104AIRUAEVAL1Z. For boards with other part numbers, it is unpopulated.
7	1	L1	Inductor, 1 μ H		L1207C1R0MPWS	KEMET	
8	4	VIN, VO, GND(x2)	Connector	-	3156-1-00-15-00-00-08-0	Mill-Max	
9	1	TP1	Scope Probe Test Point	-	131503100	Tektronix	Not populated
10	1	JP1	Connect Header, 1X3	-	68000-236-1X3	BERG/FCI	

PCB Layout

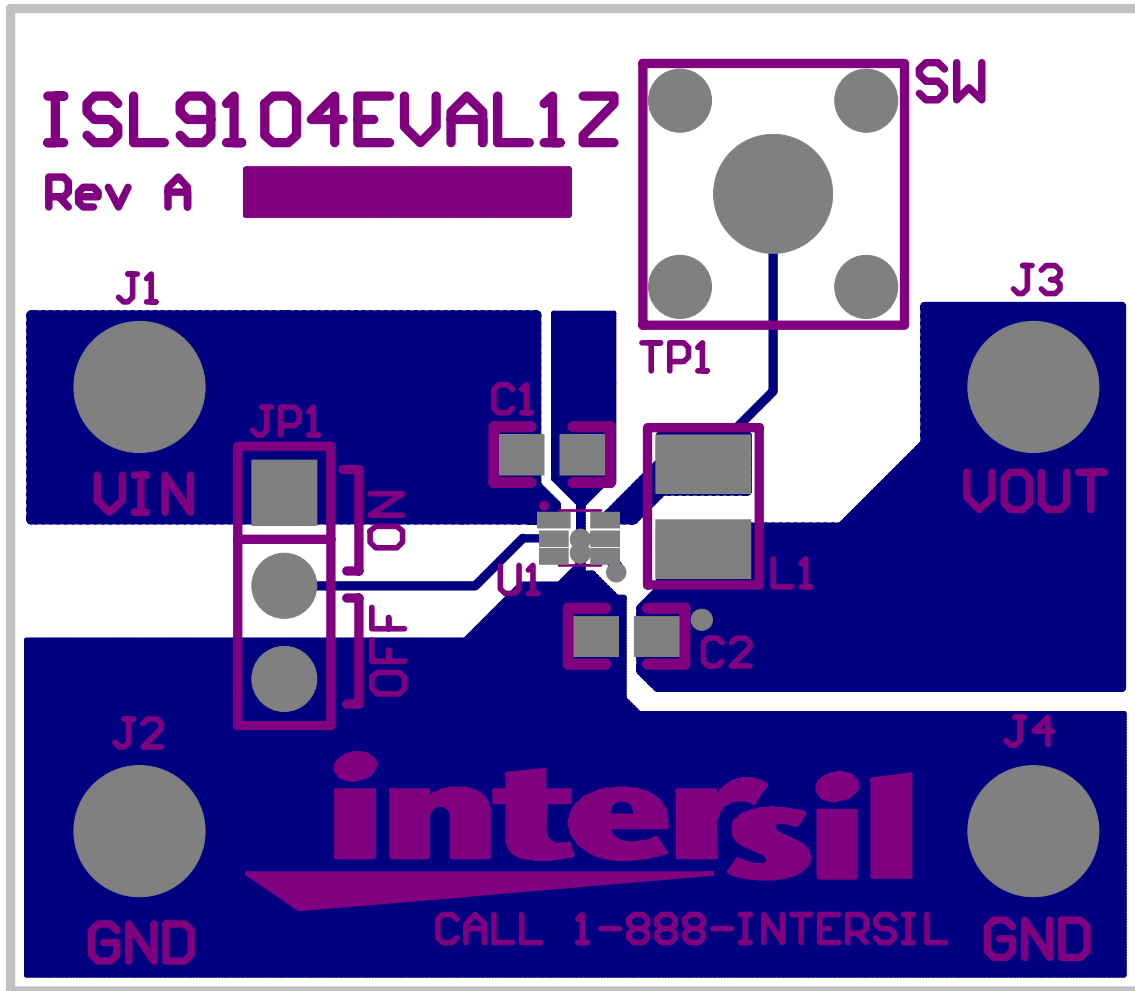


FIGURE 2. TOP SILK LAYER

PCB Layout (Continued)

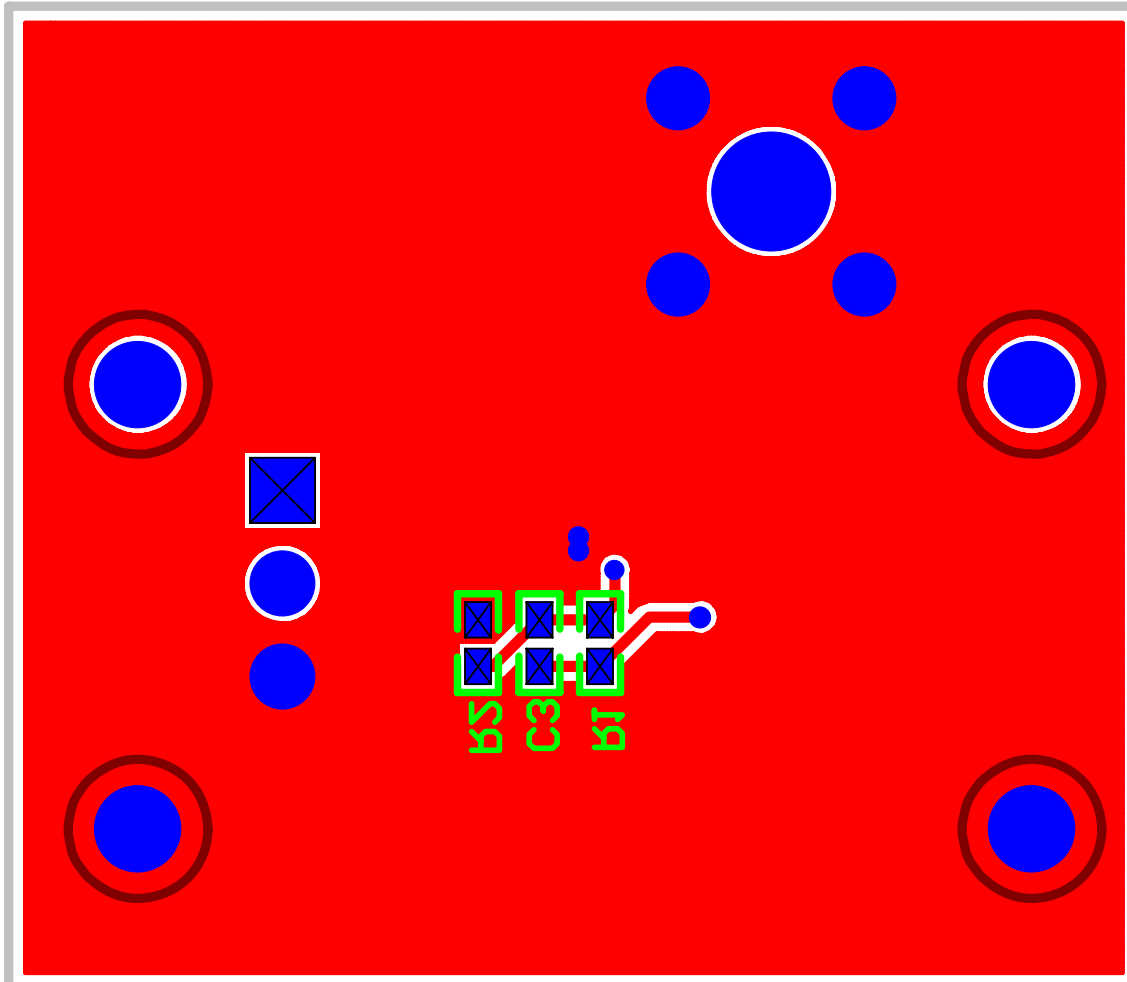


FIGURE 3. BOTTOM SILK LAYER

PCB Layout (Continued)

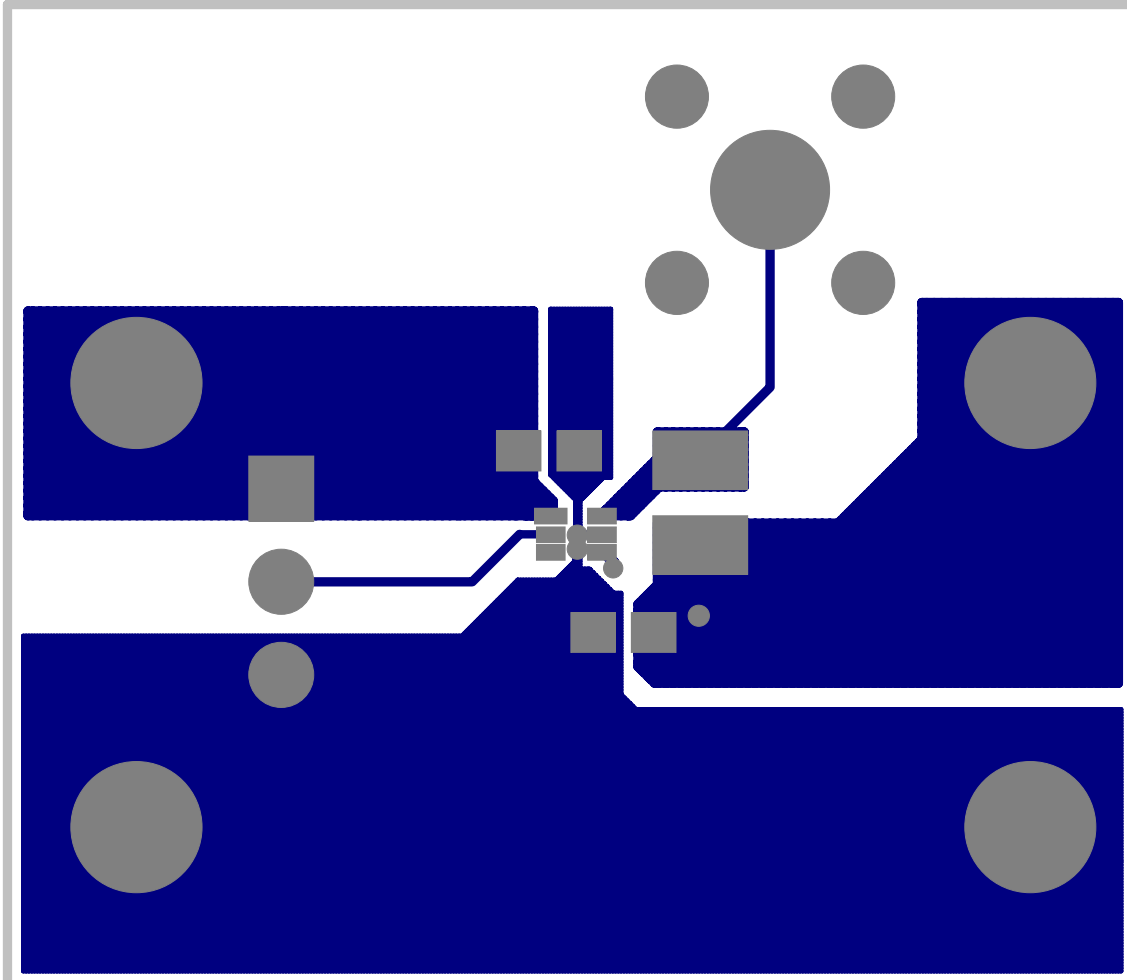


FIGURE 4. TOP LAYER

PCB Layout (Continued)

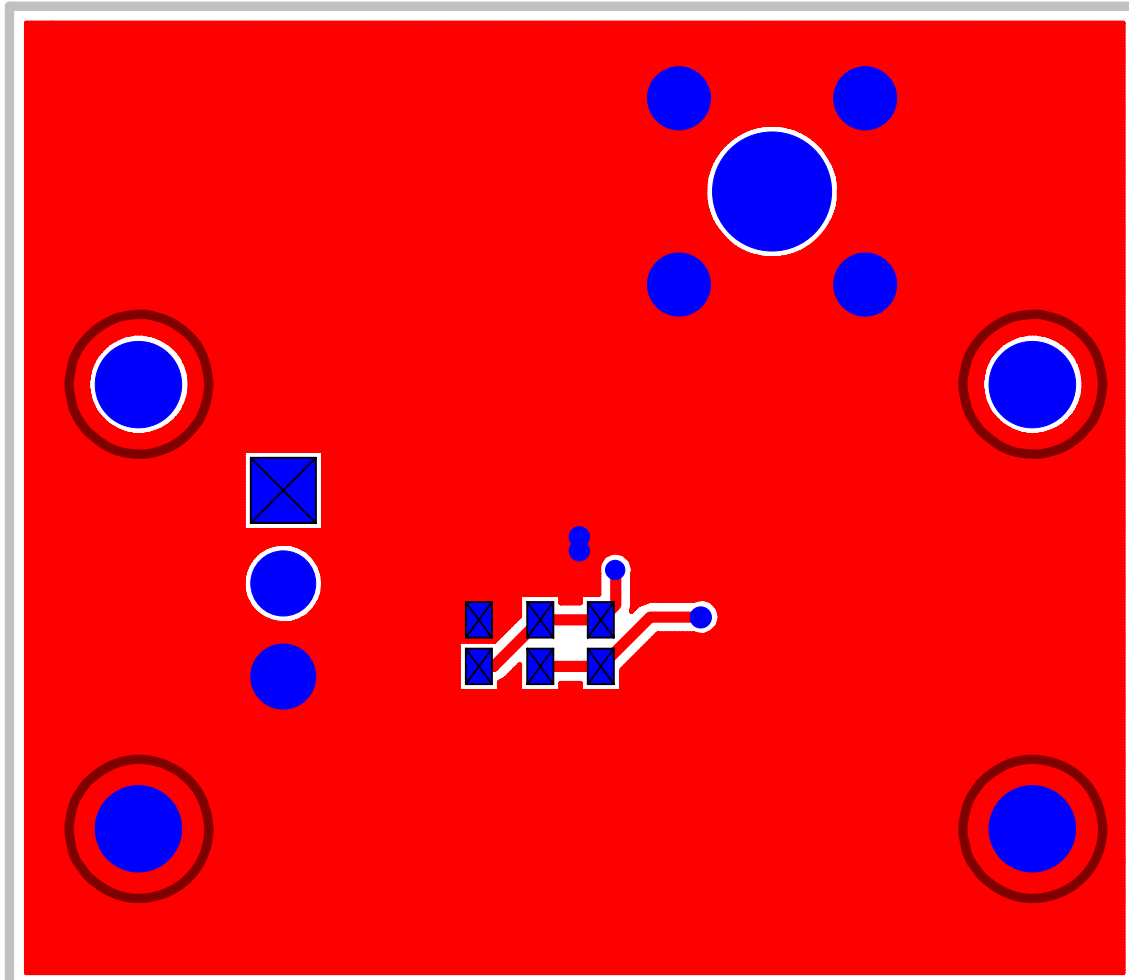


FIGURE 5. BOTTOM LAYER

Intersil Corporation reserves the right to make changes in circuit design, software and/or specifications at any time without notice. Accordingly, the reader is cautioned to verify that the Application Note or Technical Brief is current before proceeding.

For information regarding Intersil Corporation and its products, see www.intersil.com