

APX4 – WIRELESS SYSTEM-ON-MODULE

DATA SHEET

Tuesday, 23 July 2013

Version 1.01



Copyright © 2000-2013 Bluegiga Technologies

All rights reserved.

Bluegiga Technologies assumes no responsibility for any errors which may appear in this manual. Furthermore, Bluegiga Technologies reserves the right to alter the hardware, software, and/or specifications detailed here at any time without notice and does not make any commitment to update the information contained here. Bluegiga's products are not authorized for use as critical components in life support devices or systems.

The WRAP, Bluegiga Access Server, Access Point and iWRAP are registered trademarks of Bluegiga Technologies.

The *Bluetooth* trademark is owned by the *Bluetooth* SIG Inc., USA and is licensed to Bluegiga Technologies. All other trademarks listed herein are owned by their respective owners.

VERSION HISTORY

Version	Comment
0.1	First draft
0.2	Defined screws and attachment to motherboard
0.3.1	Some small fixes and additions
0.3	TBDs defined
0.4	Review
0.4.1	Small fix to part number clarification
0.4.2	Updated document name, product description and contact information
0.4.3	Added <i>Bluetooth</i> RF specifications
0.5	Clarified pins etc.
0.6	Fixed layout. Removed software version from part number.
0.7	Styles updated and fixed Added notes about missing information
0.8	Added Mouser part number for the SO-DIMM receptacle
0.9	Chapter 6.5.1 removed
1.0	Added FCC/IC texts, removed battery related texts
1.01	Typos

TABLE OF CONTENTS

1	Ordering Information.....	7
1.1	Part number decoder.....	7
2	APx4 pin descriptions.....	8
2.1	Receptacle	8
2.2	Power contacts on the left side	8
2.3	Debug UART on the right side	8
2.4	SO-DIMM connection pin descriptions.....	9
3	Power subsystem	22
3.1	PSWITCH_OUT pin 14	23
3.2	RESETN.....	23
4	Processor subsystem	24
4.1	Bootmodes	24
5	Wireless interfaces	25
5.1	<i>Bluetooth</i>	25
5.1.1	<i>Bluetooth</i> GPIOs	25
5.1.2	<i>Bluetooth</i> Audio interface	25
5.1.3	<i>Bluetooth</i> PCM slots and formats.....	26
5.1.4	<i>Bluetooth</i> I2S interface.....	26
5.2	Wi-Fi.....	27
6	Peripheral interfaces.....	28
6.1	Ethernet.....	28
6.2	USB	29
6.3	I2C.....	29
6.4	PWM outputs.....	30
6.5	SDIO / SPI / MMC	31
6.6	UARTs.....	32
6.6.1	UART 0.....	32
6.6.2	UART 2.....	32
6.6.3	UART 3.....	32
6.6.4	UART 4.....	33
6.6.5	Debug UART	33
6.7	CAN	34
6.8	Processor Audio	34
6.9	LCD	35
6.10	LRADC0-6 (Touch interface).....	36
6.11	HSADC (High-Speed ADC).....	37

6.12	JTAG	37
7	Electrical Characteristics	39
7.1	Absolute Maximum Ratings.....	39
7.2	Recommended Operating Conditions	39
7.3	Power Consumption	40
8	RF Characteristics	41
9	Physical Dimensions	43
10	Attachment to motherboard.....	44
11	Layout Guidelines.....	45
11.1	Internal antenna: Optimal module placement	45
11.2	External antenna	45
11.3	Thermal Considerations	45
11.4	EMC Considerations for Motherboard.....	45
12	Certifications.....	47
12.1	CE.....	47
12.2	FCC	47
12.3	IC.....	48
12.4	IC.....	49
12.5	MIC, formerly TELEC	51
12.6	Qualified Antenna Types for APx4-E	51
13	Contact Information	52

DESCRIPTION

The Bluegiga APx4 is a small form factor, low power system-on-module that includes the latest wireless connectivity standards: 802.11 b/g/n and *Bluetooth* 4.0. APx4 is based on Freescale's i.MX28 processor family and runs an embedded Linux operating system based on the Yocto Project™. In addition to integrating the 454MHz ARM9 processor, the wireless connectivity technologies, Linux operating system the APx4 also includes with several built in applications, such as the 802.11 and *Bluetooth* 4.0 stacks, Continua v.1.5 compliant IEEE manager and many more. This combination provides an ideal platform for designing multi-radio wireless gateways that enables fast time-to-market and minimum R&D risks.

The Bluegiga APx4 software can be easily extended or tailored customizing the Linux operating system with applications. The motherboards for the APx4 can be easily extended to include almost anything from 3G modems to Ethernet and audio interfaces to and touch screen displays.

The Bluegiga APx4 is an ideal product for applications requiring wireless or wired connectivity technologies and the processing power of the ARM9 processor, such as health and fitness gateways, building and home automation gateways, M2M, point-of-sale and industrial connectivity.

APPLICATIONS:

- Health gateways
- M2M connectivity
- Fitness gateways
- Home and building automation
- Point-of-sale gateways
- People and asset tracking

KEY FEATURES

APx4 is a computing platform:

- 454MHz ARM9 core (Freescale i.MX28)
- 64MB RAM
- 128MB Flash
- Real Time Clock
- Linux operating system
- SO-DIMM form factor

A connectivity platform:

- *Bluetooth* 4.0 dual-mode radio
- 2.4GHz 802.11 b/g/n radio
- Wi-Fi Access Point mode
- 10/100 Ethernet
- USB 2.0 High Speed

With many extension options:

- Up to 800 x 480, 24bit display
- Resistive touch screen
- MMC/SDIO
- Multiple SPI, UART and I²C
- I²S
- PWM, GPIO and AIO

Linux operating system:

- Based on the Yocto Project(TM)
- Thousands of open source software packets available

Qualifications:

- *Bluetooth*
- CE
- FCC and IC

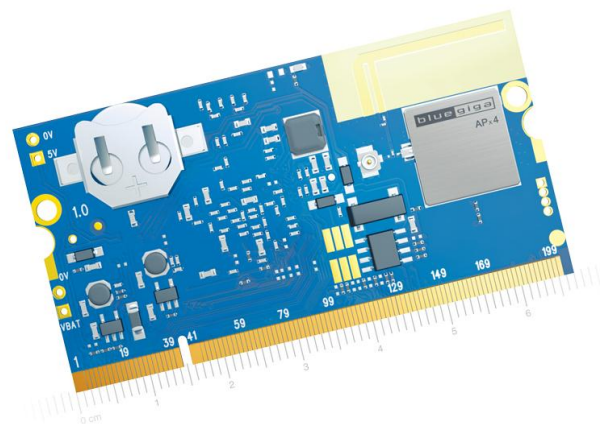
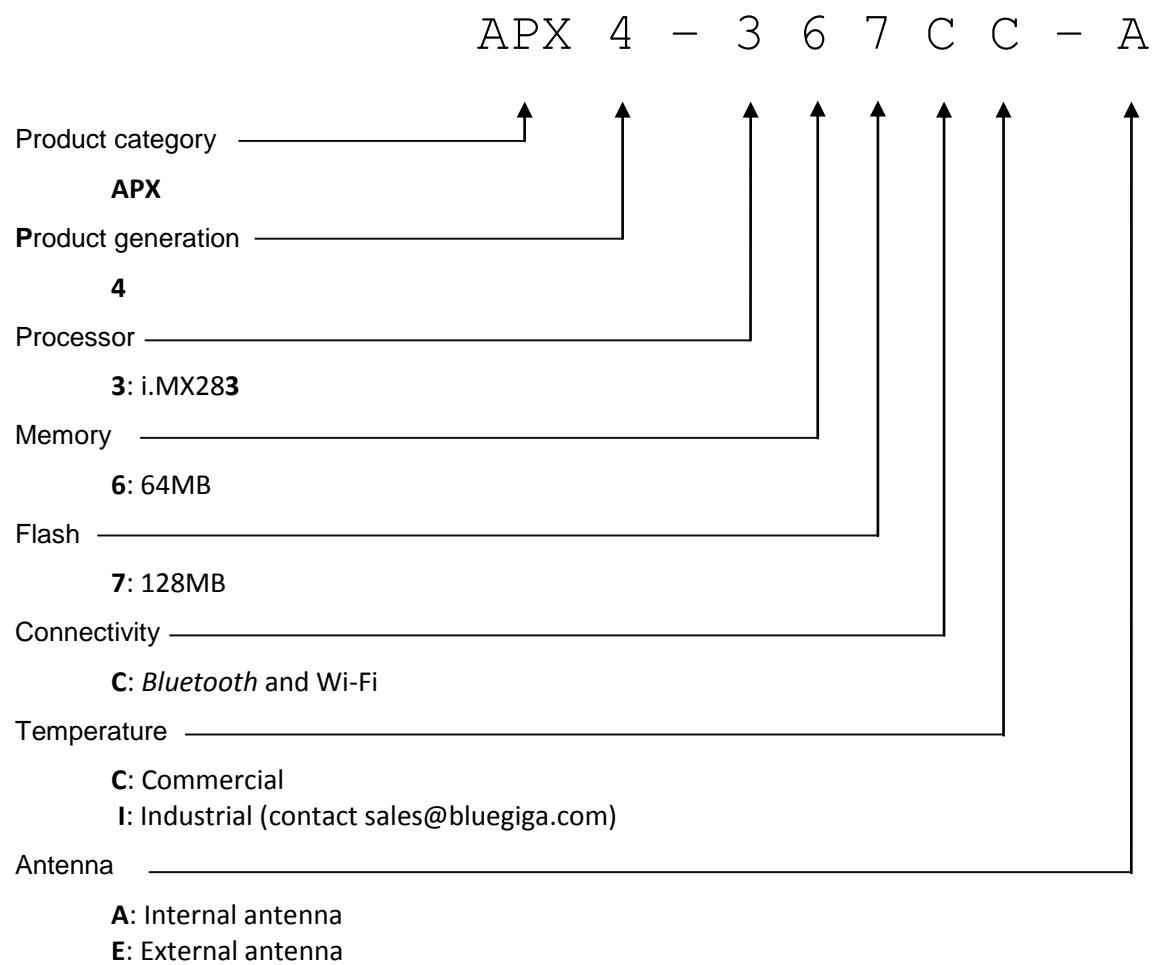


Figure 1: Physical outlook

1 Ordering Information

Product code	CPU and memories	Connectivity	Antenna	Temperature range
APX4-367CC-A	i.MX283 64MB DDR2 128MB Flash	Bluetooth + Wi-Fi	Internal antenna	-10 – 50°C

1.1 Part number decoder



Note: Not all variants are available. Minimum order quantities and lead times may apply for special variants. Please contact Bluegiga Technologies Oy for more information.

2 APx4 pin descriptions

The APX4 connector uses a standard DDR1 SO-DIMM connector with 2.5V keying.

- Odd numbered pins are located on top layer
- Even numbered pins are located on bottom layer

There is a ½ pitch (0.3mm) offset from top layer pins to bottom layer pins.

Note that most receptacles also have 0.3mm offset from odd pins to even pins.

2.1 Receptacle

Suitable receptacles are available from multiple vendors. For example TE Connectivity's part number 1473005-1, Mouser part number: 571-1473005-1 and Digi-Key's part number: A99605-ND.

PCB footprint and schematic symbol for the mentioned part number will be available for download from Techforum in Mentor Graphics' PADS format.

2.2 Power contacts on the left side

In addition to the 200 pins/finger contacts there are two pairs of plated through holes on the left side of the module which can be used for powering the module stand-alone (not assembled on any motherboard). The pitch between the holes is 2.54mm. Leave the holes unconnected if the module is assembled on a motherboard.

Name	Function
GND	Ground
VIN	+5V input
GND	Ground
VBATTERY	Battery positive input/output

Table 1: Power supply pins

2.3 Debug UART on the right side

On the right side there are four plated through holes for PWM or debug port stand-alone (not assembled on any motherboard). The vertical distance between the holes is 1.27mm:

Name	Function
3V3	3.3V output (for current limits, see Table 50)
PWM1/DUART TxD	Debug UART data transmit, logic level 3.3V
PWM0/DUART RxD	Debug UART data receive, logic level 3.3V
GND	Ground

Table 2: Debug UART pins

2.4 SO-DIMM connection pin descriptions

Note: Signals/nets marked with a star (*) are not present on standard version

Pin#	Default function	Net name	Note
1	5V input	VIN	
2	5V input	VIN	
3	5V input	VIN	
4	5V input	VIN	
5	Battery input/output	VBATTERY	
6	Battery input/output	VBATTERY	
7	Battery input/output	VBATTERY	
8	Bootmode	BOOTMODE	
9	3.3V output	3V3	Pins 9-10 may source up to 200mA combined.
10	3.3V output	3V3	Pins 9-10 may source up to 200mA combined.
11	3.3V output	3V3	Pins 9-10 may source up to 200mA combined.
12	3.3V output	3V3	Pins 9-10 may source up to 200mA combined.
13	RTC battery	VBACKUP	
14	PS switch	PSWITCH_OUT	
15	NC	NC	
16	NC	NC	
17	Reset in - Master reset	RESETN	
18	Ground	GND	

Table 3: Main power pins

Pin#	Default function	Net name
19	Ethernet TX -	ETN_TXN
20	GND	GND
21	Ethernet TX +	ETN_TXP
22	3.3V output	3V3
23	Ethernet RX -	ETN_RXN
24	Ethernet LED	ETN_LED1N*
25	Ethernet RX +	ETN_RXP
26	GND	GND

Table 4: Ethernet

* See 6.1 for detailed function.

Pin#	Default function	Net name
27	USB External VBUS enable	SPDIF*
28		NC
29	USB D-	USB1DM
30		NC
31	USB D+	USB1DP
32	Ground	GND

Table 5: USB Host

Pin#	Default function	Net name
33	USB OTG id	USB0_ID
34		NC
35	USB D-	USB0DM
36		NC
37	USB D+	USB0DP
38		NC
39	Ground	GND

Table 6: USB On-the-go

Pin#	Default function	Net name
40	I ² C Data	I2C0_SDA
41	I ² C Clock	I2C0_SCL

Table 7: I²C 0

Pin#	Default function	Net name
42	PWM (Backlight)	PWM4
43	Status led	PWM3

Table 8: Dedicated PWMs

Pin#	Default function	Net name
44	Slave select 1	SDIO_DAT1_OUT*
45	Slave select 2	SDIO_DAT2_OUT*
46	Command - Master out, slave in	SDIO_CMD_OUT*
47	Data 0, Master in, slave out	SDIO_DAT0_OUT*
48	Clock	SDIO_CLK_OUT*
49	Ready - Slave select 0	SDIO_DAT3_OUT*
50	Ground	GND

Table 9: SSP2 – SDIO/MMC/SPI

Pin#	Default function	Net name
51	Card detect	SSP0_DETECT
52	Data 0	SSP0_DATA0
53	Data 1	SSP0_DATA1
54	Data 2	SSP0_DATA2
55	Data 3	SSP0_DATA3
56	Command	SSP0_CMD
57	Clock	SSP0_SCK
58	Ground	GND

Table 10: SSP0 – SDIO/MMC/SPI

Pin#	Default function	Net name
59	UART transmit	AUART0_TX
60	UART receive	AUART0_RX
61	UART clear-to-send	AUART0_CTS
62	UART request-to-send	AUART0_RTS

Table 11: UART 0

Pin#	Default function	Net name
63	UART transmit	SSP2_MOSI
64	UART receive	SSP2_SCK
65		NC
66		NC

Table 12: UART 2

Pin#	Default function	Net name
67	UART transmit	SSP2_SS0
68	UART receive	SSP2_MISO
69		NC
70		NC
71	Ground	GND

Table 13: UART 3

Pin#	Default function	Net name
72	<i>Bluetooth</i> GPIO	BT_PIO7
73	<i>Bluetooth</i> GPIO	BT_PIO8
74	<i>Bluetooth</i> GPIO	BT_PIO9
75	<i>Bluetooth</i> GPIO	BT_PIO25

Table 14: *Bluetooth* GPIO

Pin#	Default function	Net name
76	CAN 0 transmit	GPMI_RDY2*
77	Ground	GND
78	CAN 1 transmit	GPMI_CE2N*
79	CAN 1 receive	GPMI_CE3*
80	Ground	GND
81	CAN 0 receive	GPMI_RDY3*
82	Ground	GND

Table 15: CAN

Pin#	Default function	Net name
83	MCLK	SAIF0_MCLK
84	Data line 1	SAIF1_SDATA0
85	Data line 0	SAIF0_SDATA0
86	Bit clock	SAIF0_BITCLK
87	Left/Right clock	SAIF0_LRCLK
88	GND	GND

Table 16: Primary audio / UART 4

Pin#	Default function	Net name
89		NC
90		NC
91		NC
92		NC
93		NC
94	Ground	GND
95		NC
96		NC
97		NC
98		NC
99		NC
100		NC

Table 17: Reserved group 1

Pin#	Default function	Net name
101		NC
102	Ground	GND
103		NC
104		NC
105		NC
106		NC
107	1.4V output*	1V4_CPU
108	1.8V output*	1V8
109	4.2V output*	4V2_CPU
110		NC
111		GND
112		NC
113		NC
114		NC
115		NC
116	Ground	GND

Table 18: Reserved group 2

***Important:** Pins 107-109 are only meant for manufacturing test. Please leave unconnected. Do not pull any current from these outputs. Doing so may create a black hole in the universe.

Pin#	Default function	Net name
117	Data 0	LCD_D0
118	Data 1	LCD_D1
119	Data 2	LCD_D2
120	Data 3	LCD_D3
121	Data 4	LCD_D4
122	Data 5	LCD_D5
123	Data 6	LCD_D6
124	Data 7	LCD_D7
125	Data 8	LCD_D8
126	Data 9	LCD_D9
127	Data 10	LCD_D10
128	Data 11	LCD_D11
129	Ground	GND
130	Data 12	LCD_D12
131	Data 13	LCD_D13
132	Data 14	LCD_D14
133	Data 15	LCD_D15
134	Data 16	LCD_D16
135	Data 17	LCD_D17
136	Data 18	LCD_D18
137	Data 19	LCD_D19
138	Data 20	LCD_D20
139	Data 21	LCD_D21
140	Data 22	LCD_D22
141	Data 23	LCD_D23
142	Ground	GND

Table 19 LCD data lines

Pin#	Default function	Net name
143	Horizontal Sync	LCD_WR_RWN
144	Vertical Sync	LCD_RD_E
145	LCD Enable	LCD_CS
146	Dot clock	LCD_RS
147	Ground	GND

Table 20: LCD control lines

Pin#	Function	Net name
148	Debug UART RX or I2C1_SDA	PWM0 (also connected to PTH pins on right side)
149	Debug UART TX or I2C1_SCL	PWM1 (also connected to PTH pins on right side)
150	LCD reset / GPIO	LCD_RESET
151		NC

Table 21: Debug UART / PWM / I2C1 / GPIO

Pin#	Function	Net name
152		NC
153		NC
154		NC
155		NC
156		NC
157		NC
158		NC
159	Ground	GND
160	Ground	GND
161		NC
162		NC
163	Ground	GND
164	Ground	GND
165		NC
166		NC
167	Ground	GND
168	Ground	GND
169		NC
170	WiFi Activity	WIFI_ACT
171	Ground	GND

Table 22: Reserved group 3

Pin#	Function	Net name
172	Wi-Fi Debug SPI - MISO	SPI_WIFI_MISO
173	Wi-Fi Debug SPI – CLK	SPI_WIFI_CLK
174	Wi-Fi Debug SPI – MOSI	SPI_WIFI_MOSI
175	Wi-Fi Debug SPI - CS	SPI_WIFI_CS
176	RTC interrupt	INT_EXT_RTC_N
177	Factory reset button / JTAG return clock	JTAG_RTCK
178	JTAG test clock	JTAG_TCK
179	JTAG test data in	JTAG_TDI
180	JTAG test data out	JTAG_TDO
181	JTAG test mode state	JTAG_TMS
182	JTAG test reset	JTAG_TRST
183	Ground	GND
184	JTAG enable boundary scan	DEBUG

Table 23: Misc

Pin#	Function	Net name
185	Touch controller XN	LRADC4
186	Touch controller XP	LRADC2
187	Touch controller YN	LRADC5
188	Touch controller YP	LRADC3
189	Touch controller WIPER	LRADC6
190	Generic ADC 0	LRADC0
191	Generic ADC 1	LRADC1
192	High speed ADC	HSADC0
193	Ground	GND
194	Ground	GND

Table 24: ADC

Pin #	Function	Net name
195	<i>Bluetooth</i> debug enable	BT_SPI_PCM1N
196	PCM in	BT_PCM1_IN
197	PCM out	BT_PCM1_OUT
198	PCM clock	BT_PCM1_CLK
199	PCM sync	BT_PCM1_SYNC
200	Ground	GND

Table 25: *Bluetooth* audio

3 Power subsystem

Pin#	Function	APx4 net name	Description
1-4	5V input	VIN	Main power input
5-7	Battery input/output	VBATTERY	A rechargeable battery can be connected
9-12, 22	3.3V output	3V3	For maximum current draw, see Table 50
13	RTC battery	VBACKUP	RTC battery backup power
14	Power switch	PSWITCH_OUT	Power switch
17	Reset in - Master reset	RESETN	Active low master reset. Resets the entire board.

Table 26: Power supply pins

The module is powered through the 5V input. It is recommended that all the pins (1-4) are connected together on the application board.

The external battery connectable to VBATTERY is currently not supported.

VBACKUP is connected to the Real-Time clock battery and the VDD input of the Real Time Clock. This pin can be used to power the real time clock in cases where the battery is not placed on the module.

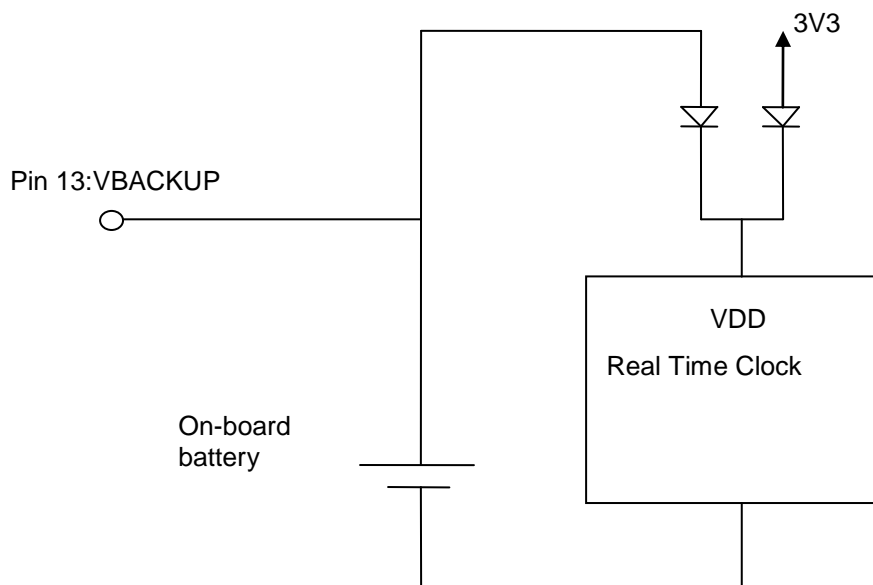


Figure 2: VBACKUP and battery connection

3.1 PSWITCH_OUT pin 14

Note: In most cases the user can ignore the PSWITCH pin. Leave unconnected for normal operation.

The PSWITCH_OUT (pin 14) has three levels: low, mid and high. A 10kΩ pull-up to mid-level is applied on the module to the PSWITCH line, causing the device to start booting immediately once power is applied. Boot-up requires a mid-level voltage to be present for >100ms.

If the PSWITCH is pulled high for over 5 seconds, for example by connecting it to 3.3V, a special Freescale USB recovery mode is entered. For further details about the power switch, refer to Freescale's Reference Manual, Section 11.4. This mode can also be entered using the BOOTMODE pin.

3.2 RESETN

Power-on reset is generated internally. If a reset from external pins is required use the RESETN pin. RESETN is internally pulled up to 3.3V.

The RESETN pin must be kept low for at least 100ms and then released in order to guarantee a proper reset.

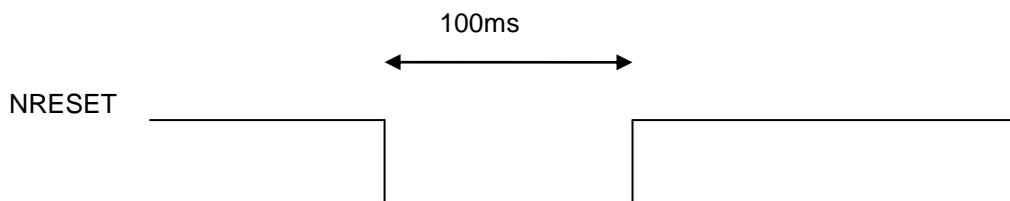


Figure 3: NRESET

4 Processor subsystem

The processor belongs to the Freescale i.MX28-family and integrates an ARM9 core operating at 454MHz. The standard APX4 variant uses the i.MX283 processor. The module also has 128MB of SLC NAND flash and 64MB of DDR2-400 memory. For more details regarding the features the processor offers, please see the Freescale Reference Manual.

By default the module boots from the NAND flash into the U-Boot boot loader environment. From there the boot loader loads a Linux kernel which boots into the Bluegiga Linux userspace.

4.1 Bootmodes

The module supports booting from multiple different media including NAND Flash, Secure Digital (SD) cards, MMC cards, I²C EEPROM and USB (in a device mode). The selected boot media can be selected using the LCD_DATA[0-3] signals or in the case of USB recovery boot, by tying the BOOTMODE pin to ground.

By default the module boots from internal NAND flash, meaning that LCD_DATA[3], LCD_DATA[1] and LCD_DATA[0] have pull-downs on the module and LCD_DATA[2] has a pull-up.

Default boot mode in bold face. The module has pull-ups and pull-downs so that when LCD_DATA[0]..LCD_DATA[3] are left unconnected the module boots from internal NAND. After boot the LCD_DATA lines can be used for any purpose.

LCD_DATA[3]	LCD_DATA[2]	LCD_DATA[1]	LCD_DATA[0]	Port
0	0	0	0	USB0 device mode boot
0	0	0	1	EEPROM connected to I2C0
0	0	1	0	SPI flash on SSP2 (non-Wi-Fi version only)
0	0	1	1	SPI flash on SSP3 (not available on standard versions)
0	1	0	0	Module's internal NAND Flash
0	1	1	0	Wait for JTAG connection
1	0	0	0	SPI EEPROM on SSP3 (not available on standard versions)
1	0	0	1	SD/MMC card on SSP0
1	0	1	0	SD/MMC on SSP1 (not available on standard versions)

Table 27: Bootmodes

5 Wireless interfaces

The wireless connectivity on the module is implemented using two separate chips which share a 2.4GHz antenna.

5.1 Bluetooth

The module is a fully qualified *Bluetooth* 4.0, Class 1, system, supporting both classical *Bluetooth* as well as *Bluetooth Smart* (*Bluetooth* low energy) devices simultaneously.

5.1.1 Bluetooth GPIOs

Pin#	Function	Net name
72	<i>Bluetooth</i> GPIO 7	BT_PIO7
73	<i>Bluetooth</i> GPIO 8	BT_PIO8
74	<i>Bluetooth</i> GPIO 9	BT_PIO9
75	<i>Bluetooth</i> GPIO 25	BT_PIO25

Table 28: Bluetooth GPIO

These GPIOs are controlled by the *Bluetooth* baseband chip. The main processor can read and write them by issuing special commands to the *Bluetooth* chip, making them suitable for use as status indicators, but not for high speed signals. For the current status of software support, please refer to the software documentation. Contact support if needed.

The pins are bidirectional pins with internal programmable strength pull-up or pull-down. By default they are inputs with a weak pull-down.

5.1.2 Bluetooth Audio interface

Pin #	Net name	PCM function	I ² S function	Debug interface
195	BT_SPI_PCM1N	Select Audio: GND	Select Audio: GND	Select Debug: +3.3V
196	BT_PCM1_IN	PCM in	Serial in (SD_IN)	MOSI
197	BT_PCM1_OUT	PCM out	Serial out (SD_OUT)	MISO
198	BT_PCM1_CLK	PCM clock	Serial clock (SCK)	Clock
199	BT_PCM1_SYNC	PCM sync	Write sync (WS)	Chip select (active low)

Table 29: Bluetooth audio and debug interface

The *Bluetooth* audio functionality can be configured to work in either I²S or PCM mode. In addition, the *Bluetooth* chip's debug interface is multiplexed with the audio pins.

The audio interface supports continuous transmission and reception of PCM audio data over *Bluetooth*. Operation in either master or slave mode are supported and many different clock modes can be supported. A maximum of 3 SCO audio links can be transmitted through the PCM interface at any one time.

5.1.3 Bluetooth PCM slots and formats

The module receives and transmits on any selection of the first 4 slots following each sync pulse. Slot durations are either 8 or 16 clock cycles:

- 8 clock cycles for 8-bit sample formats.
- 16 clocks cycles for 8-bit, 13-bit or 16-bit sample formats.

The supported formats are:

- 13-bit linear, 16-bit linear and 8-bit μ -law or A-law sample formats.
- A sample rate of 8ksamples/s.
- Little or big endian bit order.
- For 16-bit slots, the 3 or 8 unused bits in each slot are filled with sign extension, padded with zeros or a programmable 3-bit audio attenuation compatible with some codecs.

There is also a compatibility mode that forces PCM_OUT to be 0. In master mode, this allows for compatibility with some codecs which control power down by forcing PCM_SYNC to 0 while keeping PCM_CLK running.

5.1.4 Bluetooth I2S interface

The I²S mode supports left-justified and right-justified data. The interface shares the same pins as the PCM interface, which means each audio bus is mutually exclusive in its usage.

The digital audio interface is configured using the PSKEY_DIGITAL_AUDIO_CONFIG in the *Bluetooth* PS Key configuration.

The internal representation of audio samples within CSR8811 is 16-bit and data on SD_OUT is limited to 16-bit per channel.

Symbol	Parameter	Minimum	Maximum	Unit
-	SCK frequency	-	6.2	MHz
-	SCK frequency	-	96	kHz
t _{ch}	SCK high time	80	-	ns
t _{cl}	SCK low time	80	-	ns
t _{ssu}	WS valid to SCK high setup time	20	-	ns
t _{sh}	SCK high to WS invalid hold time	2.5	-	ns
t _{opd}	SCK low to SD_OUT valid delay time	-	20	ns
t _{isu}	SD_IN valid to SCK high setup time	20	-	ns
t _{ih}	SCK high to SD_IN invalid hold time	2.5	-	ns

Table 30: I²S Slave mode timing

Symbol	Parameter	Minimum	Maximum	Unit
-	SCK Frequency	-	6.2	MHz
-	WS Frequency	-	96	kHz
t_{spd}	SCK low to WS valid delay time	-	39.27	ns
t_{opd}	SCK low to SD_OUT valid delay time	-	18.44	ns
t_{isu}	SD_IN valid to SCK high setup time	18.44	-	ns
t_{ih}	SCK high to SD_IN invalid hold time	0	-	ns

Table 31: I²S Master mode timing

5.2 Wi-Fi

The on board Wi-Fi is designed for IEEE 802.11b/g/n in the 2.4GHz band. Hardware encryption support for WEP40/64, WEP104/128, TKIP, CCMP (AES), BIP and CKIP provides functionality for WPA, WPA2, IEEE 802.11i, IEEE 802.11w and CCX advanced security mechanisms.

The following modulations are supported:

- All mandatory IEEE 802.11b modulations: 1, 2, 5.5, 11Mbps
- All IEEE 802.11g OFDM modulations: 6, 9, 12, 18, 24, 36, 48, 54Mbps
- Single stream IEEE 802.11n HT modulations MCS0-7, 20MHz, 800 and 400ns guard interval: 6.5, 7.2, 13.0, 14.4, 19.5, 21.7, 26.0, 28.9, 39.0, 43.3, 52.0, 57.8, 58.5, 65.0, 72.2Mbps
- STBC (Space Time Block Coding) reception for IEEE 802.11n HT modulations MCS0-7

The receiver features direct conversion architecture. Sufficient out-of-band blocking specification at the Low Noise Amplifier (LNA) input allows the receiver to be used in close proximity to Global System for Mobile Communications (GSM) and Wideband Code Division Multiple Access (W-CDMA) cellular phone transmitters without being desensitized. High-order baseband filters ensure good performance against in-band interference.

The transmitter features a direct conversion IQ transceiver. Digital baseband transmit circuitry provides the required spectral shaping and on-chip trims are used to reduce IQ modulator distortion. Transmitter gain can be controlled on a per-packet basis, allowing the optimization of the transmit power as a function of modulation scheme. The modulator supports digital predistortion to reduce non-linearities in the power amplifier.

The module supports automatic PA thermal drift compensation by measuring the transmit power through an internal power coupler.

6 Peripheral interfaces

The module allows for several kinds of different interfaces to peripherals to be used.

6.1 Ethernet

Pin#	Function	Net name
19	Ethernet TX -	ETN_TXN
20	GND	GND
21	Ethernet TX +	ETN_TXP
22	3.3V output	3V3
23	Ethernet RX -	ETN_RXN
24	Ethernet LED	ETN_LED1N
25	Ethernet RX +	ETN_RXP
26	GND	GND

Table 32: Ethernet pins

The Ethernet I/O lines are connected on the module to a standard 10Base-T/100Base-TX physical layer transceiver (PHY). A connector board will only need to have the magnetics as well as an RJ45 jack in order to have fully functioning Ethernet. Multiple vendors also supply RJ45 jacks with integrated magnetics under brand names such as *MagJack* and *PulseJack* which further simplify design. A reference schematic for such a design is available in the APx4 reference design.

When routing the Ethernet signals, care should be taken to route the differential signals together, meaning that for example ETN_TXN and ETN_TXP should be kept close together. The traces must also be kept short in order to avoid EMC issues.

The Ethernet LED pin (ETN_LED1N) indicates link and activity and has a maximum output drive current of 8 mA. The ETN_LED is high when no Link is present (typically connected so that a physical LED is off), low when a Link is present (physical LED on) and toggled on activity (physical LED is blinking).

Make sure that the driving capability of 8mA is not exceeded.

Pin state	LED	Meaning
HIGH	Off	No Link
LOW	On	Link
Toggle	Blinking	Activity

Table 33: ETN_LED1N pin

Figure 4 Typical external LED connection

6.2 USB

Pin#	Function	Net name
27	USB OTG Host External VBUS enable	SPDIF*
29	USB Host D-	USB1_DM
31	USB Host D+	USB1_DP
33	USB OTG ID	USB0_ID
35	USB OTG D-	USB0_DM
37	USB OTG D+	USB0_DP

Table 34: USB pins

The module has two USB high-speed controllers, one which supports USB Host mode only and another which support USB On-the-Go (OTG). The USB On-the-Go controller is capable of operating as a USB Host or a USB Device and support the OTG role negotiation via the USB OTG-ID signal. For the current software support, please see the software documentation.

The USB D+ and D- signals can be directly connected to a USB connector, however when using a connector, protection against electrostatic discharge (ESD) should be taken into account.

Because USB high-speed is a very high frequency digital signal (480Mbps), care must be taken to route the D+ and D- signals as close together as possible and to have a ground plane follow them. The traces must also be kept as short as possible.

The USB Host External VBUS enable signal is not present in the standard model, and has a fixed pull-up.

For more details refer to the i.MX28 Applications Processor Reference Manual (MCIMX28RM) chapters 31 and 32.

6.3 I2C

Pin#	I ² C function	Alternate Functions	Net name
40	I ² C 0 Data		I2C0_SDA
41	I ² C 0 Clock		I2C0_SCL
148	I ² C 1 Data	PWM0, Debug UART TX	PWM0/I2C1_SDA
149	I ² C 1 Clock	PWM1, Debug UART RX	PWM1/I2C1_SCL

Table 35: I²C interface

The Inter Integrated Circuit bus (I²C) is a standard two-wire interface used for communication between peripherals and the host. The interface supports both standard speed (up to 100kbps) and as fast speed (400kbps) I²C connection to multiple devices with the processor acting in either master or slave mode.

The primary I²C interface (I²C 0, pins 40 and 41) is also connected to the module's Real Time Clock (RTC) chip and thus some additional restrictions for the communication apply. The processor is always the master. The standard 2K pull-ups are located on APx4. Do not place additional pull-ups on I²C 0.

One I²C slave address (1010001X) on I²C 0 is reserved for the Real Time Clock PCF8563T on the APx4:

- Read: 0xA3 (10100011)
- Write: 0xA2 (10100010)

The secondary I²C (I²C 1) is available on pins 148 and 149 and can be used freely in either master or slave mode. **By default it is configured to provide the Debug UART.** I²C 1 does not have built-in pull-ups.

For more details about I²C, please refer to the i.MX28 Applications Processor Reference Manual, chapter 27.

6.4 PWM outputs

Pin#	Default function	PWM function	Additional function	Net name
42	LCD Backlight (PWM4)	PWM4		PWM4
43	Status led (PWM3)	PWM3		PWM3
148	Debug UART TX	PWM0	I ² C 1 bus data	PWM0/I2C1_SDA
149	Debug UART RX	PWM1	I ² C 1 bus clock	PWM1/I2C1_SCL
83	MCLK	PWM3	UART4 CTS	SAIF0_MCLK
84	Data line 1	PWM7		SAIF1_SDATA0
85	Data line 0	PWM6	UART 4 TX	SAIF0_SDATA0
86	Bit clock	PWM5	UART4 RX	SAIF0_BITCLK
87	Left/Right clock	PWM4	UART4 RTS	SAIF0_LRCLK

Table 36: PWM outputs

The module has up to seven Pulse Width Modulator outputs available. Independent output control of each phase allows 0, 1 or high-impedance to be independently selected for the active and inactive phases.

Two dedicated PWM outputs are at pins 42 and 43, and are typically used for the LCD's backlight and as a status led, respectively. The same PWM outputs are available also on pins 83 and 87.

The Debug UART on pins 148 and 149 can be disabled and used for two independent PWM outputs instead.

For more details about PWM, please refer to the i.MX28 Applications Processor Reference Manual, chapter 28.

6.5 SDIO / SPI / MMC

Pin#	SDIO/SD/MMC	SPI mode	Net name
51	Card detect		SSP0_DETECT
52	Data 0	MISO	SSP0_DATA0
53	Data 1		SSP0_DATA1
54	Data 2		SSP0_DATA2
55	Data 3	Slave Select	SSP0_DATA3
56	Command	MOSI	SSP0_CMD
57	Clock	Clock	SSP0_SCK
58	Ground		GND

Table 37: SDIO/SPI/MMC

The Synchronous Serial Port subsystem provides support for MMC cards, SD cards, SDIO devices, SPI master and slave communication and eMMC 4.4 devices. In a standard configuration 1-bit and 4-bit modes for MMC/SD/SDIO/eMMC is available. On versions without Wi-Fi support the 8-bit mode can also be configured.

For use with removable cards, a hardware card detect pin is provided.

For further information, please refer to the i.MX28 Applications Processor Reference Manual, chapter 17.

6.6 UARTs

The module can be configured to support up to five UARTs simultaneously, two with hardware flow control, two without hardware flow control and one for debugging.

The UART interfaces offer similar functionality to the industry-standard 16C550 UART device, and the regular UARTs support baud rates of up to 3.25Mbps/s.

For further information about UARTs 0, 2, 3 and 4, please refer to the i.MX28 Applications Processor Reference Manual, chapter 30. Debug UART is covered in chapter 24.

6.6.1 UART 0

Pin#	UART 0	Debug UART	UART 4	Direction	Net name
59	Transmit	Request-to-send		Output from module	AUART0_TX
60	Receive	Clear-to-Send		Input to module	AUART0_RX
61	Clear-to-send	Receive	Receive	Input to module	AUART0_CTS
62	Request-to-send	Transmit	Transmit	Output from module	AUART0_RTS

Table 38: UART0

The first UART section (pins 59-62) is by default configured to provide UART 0 with hardware flow control. The hardware supports selecting the function of each pin separately. For example pins 59 and 60 could be configured for UART 0 and 61 and 62 for UART 4.

6.6.2 UART 2

Pin#	UART 2 function	Alternative function	Net name
63	TX - Transmit	SAIF 0 SDATA 2	SSP3_MOSI
64	RX - Receive	SAIF 0 SDATA 1	SSP2_SCK

Table 39: UART 2

The pins 63 and 64 provide UART 2 functions. UART 2 does not have hardware flow control available. They can alternatively be configured as additional processor audio data lines.

6.6.3 UART 3

Pin#	UART 3 function	Alternative function	Net name
67	TX - Transmit	SAIF 1 SDATA 2	SSP2_SS0
68	RX - Receive	SAIF 1 SDATA 1	SSP2_MISO

Table 40: UART 3

The pins 67 and 68 provide UART 3 functions. UART 3 does not have hardware flow control available. They can alternatively be configured as additional processor audio data lines.

6.6.4 UART 4

Pin#	UART 4	Other functions	Net name
61	Receive	DUART RX, AUART 0 CTS	AUART0_CTS
62	Transmit	DUART TX, AUART 0 RTS	AUART0_RTS
83	Clear-to-send	SAIF0_MCLK, PWM 3	SAIF0_MCLK
85	Transmit	SAIF0_SDATA0, PWM 6	SAIF0_SDATA0
86	Receive	SAIF0_BITCLK, PWM 5	SAIF0_BITCLK
87	Request-to-send	SAIF0_LRCLK, PWM 4	SAIF0_LRCLK

Table 41: UART 4

The fourth UART is not available by default, but can be configured to be available from two different locations. Using UART 4 disables either CPU Audio or UART 0's hardware flow-control lines.

If hardware flow control is required, then the CPU Audio pins (83-87) can be configured to provide the UART 4 functionality instead of CPU Audio. Using UART 4 with hardware flow control at the same time as CPU Audio is not possible.

If hardware flow control is not required for UART 4 or for UART 0, then the hardware flow control lines of UART 0 can be configured to provide UART 4 RX/TX instead.

6.6.5 Debug UART

Pin#	Debug UART	Alternative functions	UART I/O direction	Net name
148	Receive	I2C1 SDA, PWM0	Input to module	PWM0
149	Transmit	I2C1 SCL, PWM1	Output from module	PWM1
59	Request-to-send	UART 0 TX	Output from module	AUART0_TX
60	Clear-to-Send	UART 0 RX	Input to module	AUART0_RX
61	Receive	UART 0 CTS, UART 4 RX	Input to module	AUART0_CTS
62	Transmit	UART 0 RTS, UART 4 TX	Output from module	AUART0_RTS

Table 42: DEBUG UART

By default the Debug UART is provided on pins 148 and 149 without using hardware flow control. This will prevent the use of the second I²C port. Alternatively the Debug UART can be configured to be available from the pins of UART 0 as seen in the table above.

The main difference between the Debug UART and the Application UARTs is that there is no DMA for the Debug UART and the maximum baud rate is 115.2Kb/s. It is unsuitable for any high throughput use-cases and consumes more processor resources than the other UART interfaces, making it best suited for debugging. In

theory the Debug UART can be used for other UART applications instead of debugging, but it is primarily intended for simple console access to the processor.

For further information, please refer to the i.MX28 Applications Processor Reference Manual, chapter 30.

6.7 CAN

Pin#	Function	Net name
76	CAN 0 transmit	GPMI_RDY2*
78	CAN 1 transmit	GPMI_CE2*
79	CAN 1 receive	GPMI_CE3*
81	CAN 0 receive	GPMI_RDY3*

Table 43: CAN

The standard model does not include CAN support and pins 76, 78, 79 and 81 are not to be connected as they cannot be used.

On the model with CAN support, the pins can be used as described in the i.MX28 Applications Processor Reference Manual, chapter 25.

6.8 Processor Audio

Pin#	Audio function	SAIF 0	SAIF 1	Alternate functions	Net name
83	Master clock	MCLK		AUART4 CTS	SAIF0_MCLK
84	Data line	SDATA1	SDATA0	PWM 7	SAIF1_SDATA0
85	Data line	SDATA0		AUART4 TX, PWM 6	SAIF0_SDATA0
86	Bit clock	BITCLK		AUART4 RX, PWM 5	SAIF0_BITCLK
87	Left/Right clock	LRCLK		AUART4 RTS, PWM 4	SAIF0_LRCLK
63	Data line	SDATA2		UART 2 TX	SSP2_MOSI
64	Data line	SDATA1		UART 2 RX	SSP2_SCK
67	Data line		DATA2	UART 3 TX	SSP2_SS0
68	Data line		DATA1	UART 3 RX	SSP2_MISO

Table 44: AUDIO

The serial audio interface provides a serial interface to the industry's most common analog codecs. On the processor side, there are two serial audio interface subsystems, SAIF0 and SAIF1. These two can be used together to provide full-duplex stereo audio transfers, where SAIF0 is used as an output and for managing the clocks while SAIF1 is used as a slave to SAIF0 and for audio input.

Each data line carries two channels of audio data, meaning that if SDATA0, SDATA1 and SDATA2 are all used, bi-directional 6 channel audio is possible. Please note that when the pins for UART 2 and UART 3 are used as audio data lines, they cannot be used as UARTs.

Each function can be configured separately, so in case for example only one channel stereo is required, only the data line on pin 84 or 85 need to be used, allowing for the rest of the data lines to be used for other purposes.

For example if bi-directional audio is not required, the data input line on pin 84 can alternatively be configured as a second SAIF0 data line (SAIF0_SDATA1), meaning it is possible to have 4-channel audio input or output without sacrificing UART 2 or UART 3.

The module has been tested with the Freescale SGTL5000 audio codec which is used in the reference design.

If the optional master clock is not used, it can be configured to operate as a GPIO.

For more information about the serial audio interfaces, please refer to refer to the i.MX28 Applications Processor Reference Manual, chapter 35.

6.9 LCD

Pin#	Default function	Net name
143	Horizontal Sync	LCD_WR_RWN
144	Vertical Sync	LCD_RD_E
145	LCD Enable	LCD_CS
146	Dot clock	LCD_RS
147	Ground	GND
117-141	Data lines, see Table 19	LCD_D0-LCD_D23

Table 45: LCD signals

The LCDIF provides display data for external LCD panels from simple text-only displays to WVGA, 16/18/24 bpp color TFT panels. The LCDIF supports all of these different interfaces by providing fully programmable functionality and sharing register space, FIFOs, and ALU resources at the same time. The LCDIF supports RGB (DOTCLK) modes as well as system mode including both VSYNC and WSYNC modes.

Features:

- Display resolution up to 800x480.
- AXI-based bus master mode for LCD writes and DMA operating modes for LCD reads requiring minimal CPU overhead.
- 8/16/18/24 bit per pixel.
- Programmable timing and parameters for system, MPU, VSYNC and DOTCLK LCD interfaces to support a wide variety of displays.
- ITU-R BT.656 mode including progressive-to-interlace feature and RGB to YCbCr 4:2:2 color space conversion to support 525/60 and 625/50 operation.
- Ability to drive 24-bit RGB/DOTCK displays up to WVGA at 60 Hz. High robustness guaranteed by 512-pixel FIFO with under-run recovery.

- Support for full 24-bit system mode (8080/6080/VSYNC/WSYNC).
- ITU-R/BT.656 compliant D1 digital video output mode with on-the-fly RGB to YCbCr color-space-conversion.
- Support for a wide variety of input and output formats that allows for conversion between input and output (for example, RGB565 input to RGB888 output).

For more information refer to the i.MX28 Applications Processor Reference Manual, chapter 33.

6.10 LRADC0-6 (Touch interface)

	Function
Resolution	12 bits
Maximum sampling rate	428kHz
DC input voltage	0-1.85V
Expected plate resistance	2000-50000 ohm

Table 46: LRADC

LRADC 0 - 6 measure the voltage on the seven application-dependent LRADC pins. The auxiliary channels can be used for a variety of uses, including a resistor-divider-based wired remote control, external temperature sensing, touch-screen, button and so on.

Pin#	4-wire touch	5-wire touch	Other	Net name
185	X-	UR	Generic ADC 4	LRADC4
186	X+	UL	Generic ADC 2	LRADC2
187	Y-	LR	Generic ADC 5	LRADC5
188	Y+	LL	Generic ADC 3	LRADC3
189		WIPER	Generic ADC 6	LRADC6
190			Generic ADC 0	LRADC0
191			Generic ADC 1	LRADC1

Table 47: LRADC

For pull-up or pull-down switch control on LRADC2~5 pins, please refer to HW_LRADC_CTRL0 register. LRADC 0 can be used for button and external temperature sensing, they cannot be enabled at same time in hardware configuration. LRADC 1 can be used for button as well as LRADC 0. For an example of how LRADC can be used for connecting multiple buttons, please see Freescale's reference design for the i.MX28 processor.

For more information refer to the i.MX28 Applications Processor Reference Manual.

6.11 HSADC (High-Speed ADC)

Function	Value
Input sampling capacitance (C _s)	1.0pF typical
Resolution	12 bits
Maximum sampling rate	2MHz
DC input voltage	0.5 — VDDA-0.5
Power-up time	1 sample cycles

Table 48: HSADC

The processor contains a high speed, high resolution analog to digital converter which can be used when the lower resolution ADCs do not provide enough sampling speed or resolution.

For more information refer to refer to the i.MX28 Applications Processor Reference Manual.

6.12 JTAG

Pin#	Function	Net name	Note
118	Mode	LCD_D1	LCD_D1=HIGH: CPU is ready, waiting for JTAG connection
177	JTAG return clock (Factory reset)	JTAG_RTCK*	During normal operation, this pin is reserved for use as a factory reset button by the software.
178	JTAG test clock	JTAG_TCK	
179	JTAG test data in	JTAG_TDI	
180	JTAG test data out	JTAG_TDO	
181	JTAG test mode select	JTAG_TMS	
182	JTAG test reset	JTAG_TRST	
183	Ground	GND	
184	JTAG enable boundary scan	DEBUG**	DEBUG=0: JTAG interface works for boundary scan. DEBUG=1: JTAG interface works for ARM debugging.

Table 49: JTAG pins

* Most JTAG adapters do not use the Return Test Clock in which case it can be used for other purposes. E.g. on the APX4 reference design this pin is used for Factory Reset button.

** DEBUG pin is pulled down inside CPU. Leave unconnected for ordinary boundary scan.

In case ARM debugging is needed the board must be powered on in JTAG mode (Wait JTAG connection mode), i. e. LCD_D1 (pin 118) must be high.

7 Electrical Characteristics

7.1 Absolute Maximum Ratings

Parameter	Min	Max	Unit
V_{in}	-0.3	7.0	V
Voltage on ordinary I/O	-0.3	3.63	V
3V3 current drain*		200	mA
Permissible ambient temperature (Commercial version)	0	70	°C
Permissible ambient temperature (Industrial version)	-40	85	°C
Storage temperature	-40	85	°C

Table 50: Absolute Maximum ratings

*Pins 9, 10, 11, 12 are 3.3V outputs intended for 3.3V low power devices.

- Stresses beyond those listed in Table 50 may cause permanent damage to the device.
- Exposure to absolute-maximum-rated conditions for extended periods may affect device reliability.
- Table 50 gives stress ratings only—functional operation of the device is not implied beyond the conditions indicated in Table 51.

7.2 Recommended Operating Conditions

Parameter	Min	Max	Unit
V_{in}	4.75	5.25	V
Voltage on ordinary I/O	3.1	3.4	V
Board temperature (Industrial version)	-40	85	°C
Ambient temperature with high Wi-Fi use (Industrial version)	-40	60	°C

Table 51: Recommended Operating Conditions

7.3 Power Consumption

Condition	Min	Typ	Max	Unit
During Boot	1.0	1.2	1.3	W
Idle (Linux booted, but no active processes)	0.8	0.9	1.0	W
Wi-Fi transmitting	1.7	1.8	1.9	W

Table 52: Power consumption (no power saving enabled)

8 RF Characteristics

	min	max	
Channels	1	13	(1-11 when used in USA)
Frequency	2412	2472 (2462)	MHz

Table 53: Supported frequencies for Wi-Fi transceiver

	min	max	
Channels	0	78	
Frequency	2402	2480	MHz

Table 54: Supported frequencies for Bluetooth transceiver

Standard	Supported bit rates
802.11b	1, 2, 5.5, 11Mbps
802.11g	6, 9, 12, 18, 24, 36, 48, 54Mbps
802.11n, HT, 20MHz, 800ns	6.5, 13, 19.5, 26, 39, 52, 58.5, 65Mbps
802.11n, HT, 20MHz, 400ns	7.2, 14.4, 21.7, 28.9, 43.3, 57.8, 65, 72.2Mbps

Table 55: Supported modulations for Wi-Fi transceiver

	min	max		
Accuracy	-20	+20	ppm	For all environmental conditions

Table 56: Carrier frequency accuracy for both WiFi and Bluetooth

802.11b	Typ	802.11g	Typ	802.11n short GI	Typ	802.11n long GI	Typ
1 Mbps	-97 dBm	6 Mbps	-92 dBm	6.5 Mbps	-91 dBm	7.2 Mbps	-92 dBm
2 Mbps	-95 dBm	9 Mbps	-91 dBm	13 Mbps	-87 dBm	14.4 Mbps	-90 dBm
5.5 Mbps	-93 dBm	12 Mbps	-89 dBm	19.5 Mbps	-85 dBm	21.7 Mbps	-87 dBm
11 Mbps	-89 dBm	18 Mbps	-87 dBm	26 Mbps	-82 dBm	28.9 Mbps	-84 dBm
		24 Mbps	-84 dBm	39 Mbps	-78 dBm	43.3 Mbps	-80 dBm
		36 Mbps	-80 dBm	52 Mbps	-74 dBm	57.8 Mbps	-75 dBm
		48 Mbps	-75 dBm	58.5 Mbps	-71 dBm	65 Mbps	-72 dBm
		54 Mbps	-73 dBm	65 Mbps	-68 dBm	72.2 Mbps	-69 dBm

Table 57: Wi-Fi receiver sensitivity (at external antenna connector)

Modulation type	Typ	
DH1	-89	dBm
DH3	-89	dBm
DH5	-89	dBm
2-DH1	-92	dBm
2-DH3	-92	dBm
2-DH5	-92	dBm
3-DH1	-86	dBm
3-DH3	-85	dBm
3-DH5	-85	dBm

Table 58: Bluetooth receiver sensitivity (at external antenna connector)

Modulation type	Min	Typ	Max	
Wi-Fi	+14	+15	+15.6	dBm
Bluetooth/Bluetooth LE	+5.5	+8.1	+9	dBm

Table 59: Transmitter output power at maximum setting

9 Physical Dimensions

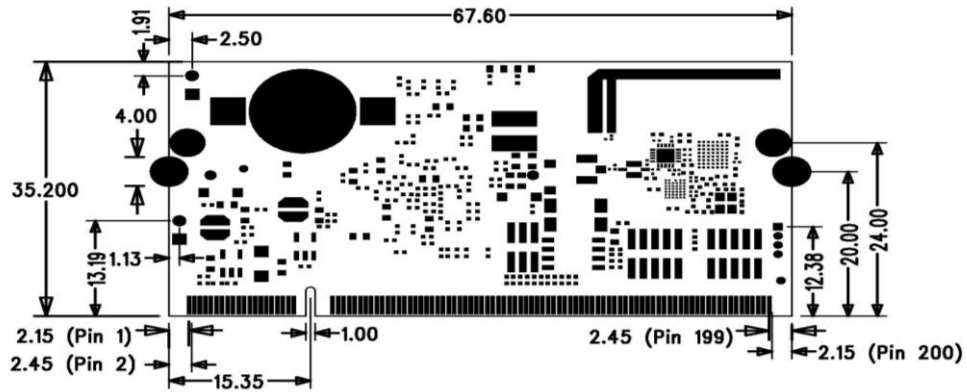


Figure 5: Physical dimensions

10 Attachment to motherboard

In order to ease assembly of the APx4 module, it has slightly oval attachment holes. The size of the hole is ~2.2x3.0mm. This makes it possible to attach a screw and nut to the motherboard before inserting the module.

Parameter	Size	Note
Diameter	M2	
Length	<= 10mm, 8mm recommended	Length excluding head
Head diameter	<= 3.8mm	
Material	Steel or similar	*Do not use plastic material

Table 60: Screw size

Parameter	Size	Note
Size	M2	
Material	Steel or similar	*Do not use plastic material

Table 61: Nut size

****Use metal screws and nuts that connect to ground, as that improves the function of the APx4 integrated antenna. Nylon/plastic screws/nuts may be used only if the motherboard's locking clips are grounded. Metal screws and nuts will also improve the heat conductivity compared to nylon/plastic.***

For automatic assembly Phillips, Pozi or Torx head is recommended.

A suitable screw is Bossard's PN **1151495** with following features:

- BN 380 - ISO 7048
- Cross recessed cheese head screw
- Phillips H
- ISO 7048
- SN 213307

11 Layout Guidelines

Layout is very important for proper antenna operation when using the integrated antenna.

11.1 Internal antenna: Optimal module placement

Key points to remember are

- APx4 should be placed so that the antenna faces away from large GND planes.
- Typically the best placement is along one of the motherboard edges.
- Antenna facing out from board
- Antenna preferably in corner or placed outside the motherboard edge
- **Important: The motherboard's locking clips must be attached to GND.**
- Optionally attach APx4 to the motherboard with metal screws and nuts as described in this document
- **Either:**
 - **Create a board cutout under the entire antenna part**
 - or
 - **Place the module so that the antenna is outside the board edge**
- We recommend issuing the motherboard design to Bluegiga for review in good time before ordering the PCBs. Please allow for several days for such a review.

Figure 6: Example placement w/motherboard cut-out

Figure 7: Example placement, antenna outside motherboard

Important: The motherboard's locking clips must be attached to GND.

11.2 External antenna

In case external antenna is used the RF output can be taken directly from the U.FL connector of the module. In this case internal antenna placement can be ignored. See chapter 12.6 for approved antennas.

11.3 Thermal Considerations

APx4 will heat up to some extent during use, especially due to Wi-Fi power consumption during high-throughput transmissions. APx4 can be attached to the motherboard with metal bolts to allow some heat transfer to the application board ground plane.

11.4 EMC Considerations for Motherboard

Unwanted electromagnetic radiation may arise from a combination of APx4 and a motherboard if not carefully designed.

- The number of layers required depends on the application. The simplest application with no high speed signals connected, 2 layers might be enough, but with a high number of the APx4 signals in use with high clock speeds, 6 layers is recommended, with solid power and ground planes.
- Place the peripherals (connectors etc.) as close as possible to APx4. One example is USB and Ethernet. Make the lines as short as possible.
- USB lines: Use 45 ohms single-line (90 ohms differential) impedance. Route the lines as differential pairs
- Ethernet lines: Use 50 ohms single-line (100 ohms differential) impedance. Route the lines as differential pairs.
- Make sure that Ethernet Tx and Rx lines are well separated in order to minimize cross talk. If there is excessive cross talk the PHY may receive its own packets.
- Be careful with clocks, e.g. SAIF0_MCLK. Do not route them longer than absolutely necessary. Place the destination components as close as possible to the APx4. If clock traces are routed e.g. across the board they easily cause radiation which may exceed allowed limits.
- The power supply should be designed for 5V and at least 500mA continuous current.
- We recommend issuing the motherboard design to Bluegiga for review in good time before ordering the PCBs. Please allow for several days for such a review.

12 Certifications

APx4 is compliant to the following specifications:

12.1 CE

TBD

12.2 FCC

This device complies with Part 15 of the FCC Rules. Operation is subject to the following two conditions:

- (1) this device may not cause harmful interference, and
- (2) this device must accept any interference received, including interference that may cause undesired operation.

FCC RF Radiation Exposure Statement:

This equipment complies with FCC radiation exposure limits set forth for an uncontrolled environment. End users must follow the specific operating instructions for satisfying RF exposure compliance. This transmitter must not be co-located or operating in conjunction with any other antenna or transmitter. This transmitter is considered as mobile device and should not be used closer than 20 cm from a human body. To allow portable use in a known host class 2 permissive change is required. Please contact support@bluegiga.com for detailed information.

OEM Responsibilities to comply with FCC Regulations

The APx4 Module has been certified for integration into products only by OEM integrators under the following conditions:

- The antenna(s) must be installed such that a minimum separation distance of 25mm is maintained between the radiator (antenna) and all persons at all times.
- The transmitter module must not be co-located or operating in conjunction with any other antenna or transmitter.

As long as the two conditions above are met, further transmitter testing will not be required. However, the OEM integrator is still responsible for testing their end-product for any additional compliance requirements required with this module installed (for example, digital device emissions, PC peripheral requirements, etc.).

IMPORTANT NOTE: In the event that these conditions cannot be met (for certain configurations or co-location with another transmitter), then the FCC authorization is no longer considered valid and the FCC ID cannot be used on the final product. In these circumstances, the OEM integrator will be responsible for re-evaluating the end product (including the transmitter) and obtaining a separate FCC authorization.

End Product Labeling

The APx4 Module is labeled with its own FCC ID. If the FCC ID is not visible when the module is installed inside another device, then the outside of the device into which the module is installed must also display a label referring to the enclosed module. In that case, the final end product must be labeled in a visible area with the following:

“Contains Transmitter Module FCC ID: QQQAPX4”

or

“Contains FCC ID: QQQAPX4”

The OEM of the APx4 Module must only use the approved antenna(s) described in Table 62 External Antenna Parameters, which have been certified with this module.

The OEM integrator has to be aware not to provide information to the end user regarding how to install or remove this RF module or change RF related parameters in the user manual of the end product.

12.3 IC

This device complies with Industry Canada license-exempt RSS standard(s). Operation is subject to the following two conditions: (1) this device may not cause interference, and (2) this device must accept any interference, including interference that may cause undesired operation of the device.

Under Industry Canada regulations, this radio transmitter may only operate using an antenna of a type and maximum (or lesser) gain approved for the transmitter by Industry Canada. To reduce potential radio interference to other users, the antenna type and its gain should be so chosen that the equivalent isotropically radiated power (e.i.r.p.) is not more than that necessary for successful communication.

If detachable antennas are used:

This radio transmitter (identify the device by certification number, or model number if Category II) has been approved by Industry Canada to operate with the antenna types listed below with the maximum permissible gain and required antenna impedance for each antenna type indicated. Antenna types not included in this list, having a gain greater than the maximum gain indicated for that type, are strictly prohibited for use with this device. See Table 62 External Antenna Parameters for the approved antennas.

OEM Responsibilities to comply with Industry Canada Regulations

The APx4 Module has been certified for integration into products only by OEM integrators under the following conditions:

- The antenna(s) must be installed such that a minimum separation distance of 20cm is maintained between the radiator (antenna) and all persons at all times.
- The transmitter module must not be co-located or operating in conjunction with any other antenna or transmitter.

As long as the two conditions above are met, further transmitter testing will not be required. However, the OEM integrator is still responsible for testing their end-product for any additional compliance requirements required with this module installed (for example, digital device emissions, PC peripheral requirements, etc.).

IMPORTANT NOTE: In the event that these conditions cannot be met (for certain configurations or co-location with another transmitter), then the Industry Canada authorization is no longer considered valid and the IC Certification Number cannot be used on the final product. In these circumstances, the OEM integrator will be responsible for re-evaluating the end product (including the transmitter) and obtaining a separate Industry Canada authorization.

End Product Labeling

The APx4 Module is labeled with its own IC Certification Number. If the IC Certification Number are not visible when the module is installed inside another device, then the outside of the device into which the module is installed must also display a label referring to the enclosed module. In that case, the final end product must be labeled in a visible area with the following:

“Contains Transmitter Module IC: 5123A-BGTAPX4”

or

“Contains IC: 5123A-BGTAPX4”

The OEM of the APx4 Module must only use the approved antenna(s) described in Table 62 External Antenna Parameters, which have been certified with this module.

The OEM integrator has to be aware not to provide information to the end user regarding how to install or remove this RF module or change RF related parameters in the user manual of the end product.

To comply with Industry Canada RF radiation exposure limits for general population, the antenna(s) used for this transmitter must be installed such that a minimum separation distance of 20cm is maintained between the radiator (antenna) and all persons at all times and must not be co-located or operating in conjunction with any other antenna or transmitter.

12.4 IC

Déclaration de conformité IC :

Ce matériel respecte les standards RSS exempt de licence d'Industrie Canada. Son utilisation est soumise aux deux conditions suivantes :

- (1) l'appareil ne doit causer aucune interférence, et
- (2) l'appareil doit accepter toute interférence, quelle qu'elle soit, y compris les interférences susceptibles d'entraîner un fonctionnement non requis de l'appareil.

Selon la réglementation d'Industrie Canada, ce radio-transmetteur ne peut utiliser qu'un seul type d'antenne et ne doit pas dépasser la limite de gain autorisée par Industrie Canada pour les transmetteurs. Afin de réduire les interférences potentielles avec d'autres utilisateurs, le type d'antenne et son gain devront être définis de telle façon que la puissance isotrope rayonnante équivalente (EIRP) soit juste suffisante pour permettre une bonne communication.

Lors de l'utilisation d'antennes amovibles :

Ce radio-transmetteur (identifié par un numéro certifié ou un numéro de modèle dans le cas de la catégorie II) a été approuvé par Industrie Canada pour fonctionner avec les antennes référencées ci-dessous dans la limite de gain acceptable et l'impédance requise pour chaque type d'antenne cité. Les antennes non référencées possédant un gain supérieur au gain maximum autorisé pour le type d'antenne auquel elles appartiennent sont strictement interdites d'utilisation avec ce matériel. Veuillez vous référer au Table 62 External Antenna Parameters, concernant les antennes approuvées pour les APx4.

Les responsabilités de l'intégrateur afin de satisfaire aux réglementations d'Industrie Canada :

Les modules APx4 ont été certifiés pour entrer dans la fabrication de produits exclusivement réalisés par des intégrateurs dans les conditions suivantes :

- L'antenne (ou les antennes) doit être installée de façon à maintenir à tout instant une distance minimum de 20cm entre la source de radiation (l'antenne) et toute personne physique.
- Le module transmetteur ne doit pas être installé ou utilisé en concomitance avec une autre antenne ou un autre transmetteur.

Tant que ces deux conditions sont réunies, il n'est pas nécessaire de procéder à des tests supplémentaires sur le transmetteur. Cependant, l'intégrateur est responsable des tests effectués sur le produit final afin de se mettre en conformité avec d'éventuelles exigences complémentaires lorsque le module est installé (exemple : émissions provenant d'appareils numériques, exigences vis-à-vis de périphériques informatiques, etc.) ;

IMPORTANT : Dans le cas où ces conditions ne peuvent être satisfaites (pour certaines configurations ou installation avec un autre transmetteur), les autorisations fournies par Industrie Canada ne sont plus valables et les numéros d'identification de certification d'Industrie Canada ne peuvent servir pour le produit final. Dans ces circonstances, il incombera à l'intégrateur de faire réévaluer le produit final (comprenant le transmetteur) et d'obtenir une autorisation séparée d'Industrie Canada.

Etiquetage du produit final

Chaque module APx4 possède son propre numéro de certification IC. Si le numéro de certification IC ne sont pas visibles lorsqu'un module est installé à l'intérieur d'un autre appareil, alors l'appareil en question devra lui aussi présenter une étiquette faisant référence au module inclus. Dans ce cas, le produit final doit comporter une étiquette placée de façon visible affichant les mentions suivantes :

« Contient un module transmetteur certifié IC 5123A-BGTAPX4 »

ou

« Inclut la certification IC 5123A-BGTAPX4 »

L'intégrateur du module APx4 ne doit utiliser que les antennes répertoriées dans le tableau 25 certifiées pour ce module.

L'intégrateur est tenu de ne fournir aucune information à l'utilisateur final autorisant ce dernier à installer ou retirer le module RF, ou bien changer les paramètres RF du module, dans le manuel d'utilisation du produit final.

Afin de se conformer aux limites de radiation imposées par Industry Canada, l'antenne (ou les antennes) utilisée pour ce transmetteur doit être installée de telle sorte à maintenir une distance minimum de 20cm à tout instant entre la source de radiation (l'antenne) et les personnes physiques. En outre, cette antenne ne devra en aucun cas être installée ou utilisée en concomitance avec une autre antenne ou un autre transmetteur.

12.5 MIC, formerly TELEC

TBD

12.6 Qualified Antenna Types for APx4-E

This device has been designed to operate with a standard 2.14 dBi dipole antenna. Any antenna of a different type or with a gain higher than 2.14 dBi is strictly prohibited for use with this device. Using an antenna of a different type or gain more than 2.14 dBi will require additional testing for FCC, CE and IC. Please contact support@bluegiga.com for more information. The required antenna impedance is 50 ohms.

Qualified Antenna Types for APX4-E	
Antenna Type	Maximum Gain
Dipole	2.14 dBi

Table 62 External Antenna Parameters

To reduce potential radio interference to other users, the antenna type and its gain should be chosen so that the equivalent isotropic radiated power (e.i.r.p.) is not more than that permitted for successful communication.

13 Contact Information

Inquiries/ Support: www.bluegiga.com

Head office, Finland

Phone: +358-9-4355 060

Fax: +358-9-4355 0660

Bluegiga Technologies Oy
Sinikalliontie 5A, 5th floor
02630 Espoo, FINLAND

USA office

Phone: +1 770 291 2181

Fax: +1 770 291 2183

Bluegiga Technologies, Inc.
3235 Satellite Boulevard, Building 400, Suite 300,
Duluth, GA, 30096, USA

Hong Kong office

Phone: +852 3972 2186

Bluegiga Technologies Ltd.
Unit 10-18,
32/F, Tower 1, Millennium City 1,
388 Kwun Tong Road,
Kwun Tong,
Kowloon,
Hong Kong