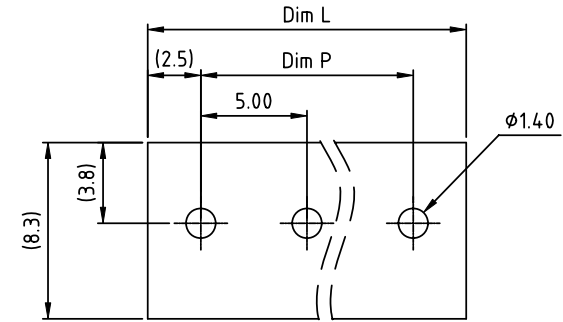
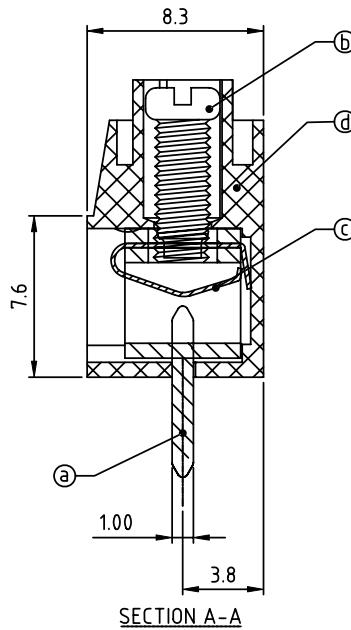
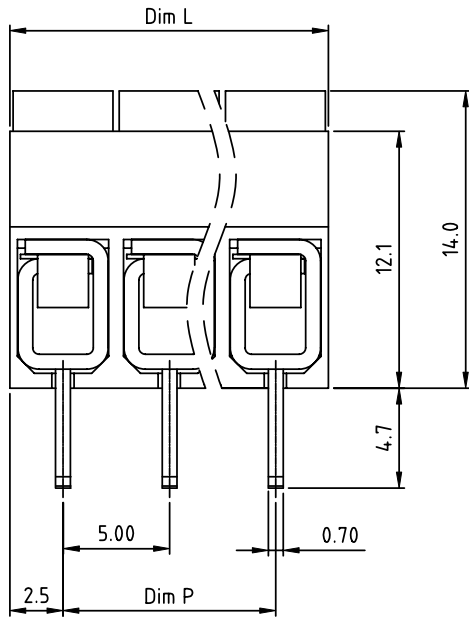
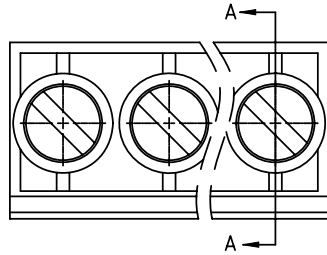


PRODUCT NUMBER	PITCH
TKxx05x000J0G	5.00 mm



RECOMMENDED P.C.B LAYOUT
TOP VIEW

Material:

- Item (a) Terminal body: Brass stamping, Tin plated
- Item (b) Terminal screw: Steel Zinc plating "-" slot type
- Item (c) Wire guard: PhBz, Tin plated
- Item (d) Terminal (housing): Thermoplastic (UL94V-0)

Electrical cULus

- Voltage rating: 250V
- Current rating: 15A
- Wire range:
 - Solid wire(AWG): 12-22
 - Stranded wire(AWG): 12-22
- Torque(Lb-In): 3.5
- Screw: M2.5
- Wire strip length: 6-7mm
- Withstanding Voltage: 1.6KV
- Operating temperature: -40°C to +115°C
- Soldering temperature: 260°C±5°C/5 Sec
- Safety Approval:

N = Number of poles
Dim L=Nx5.0
Dim P=(N-1)x5.0

Poles	Tolerance
2-5p	±0.15
6-10p	±0.20
11-15p	±0.25
16-20p	±0.30
21-24p	±0.35

PART NO.: TK xx 05 x 0 00J0 G

Solid block	Body Color	RoHS compliant
No. of poles	0 Black (RAL9005)	(lead<4%)
02 2 poles	2 Red (RAL3001/D)	In copper Alloy
03 3 poles	3 Orange(RAL2011/P)	
...	4 Yellow(RAL1018/A)	
24 24 poles	5 Green(RAL6018/T)	
	6 Blue (RAL5015/A)	
	8 Grey(RAL7035/D)	
	9 White(RAL1102)	
	C Green(RAL6018/U)	

mat'l. code		surface ASME Y14.5	tolerance ASME Y14.5	projection	product family TERMINAL BLOCK
ltr	ecn no	dr	date	 MM	title TERMINAL BLOCK WIRE PROTECTOR,SOLID BLOCK,180D WIRE INLET
tolerances unless otherwise specified					
angles		$X \pm 0.5$ $X.X \pm 0.3$ $X.XX \pm 0.1$			dwg no TKxx05x000J0G
dr		EVIN ZHONG	040114		sheet 1 of 1 size A4
enrg		EVIN ZHONG	040114		type CUSTOMER Drawing
chr		HANKE FENG	040114		
appd		SHI JUN	040114		
sheet index	revision sheet	A	1		