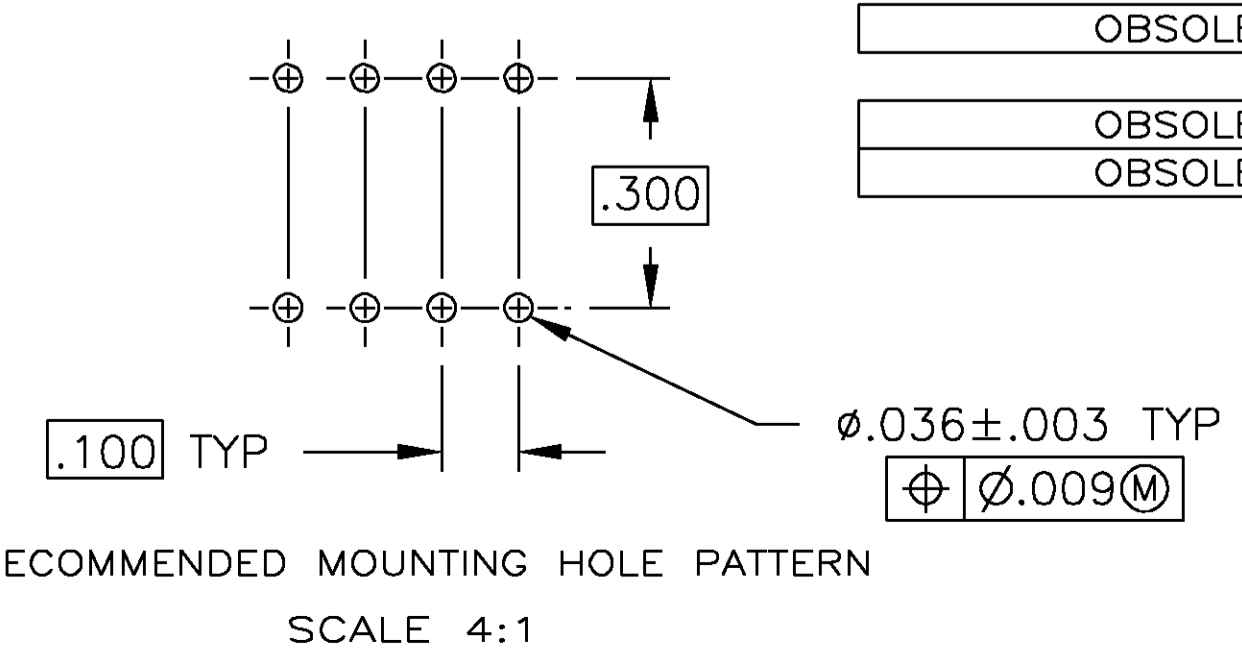
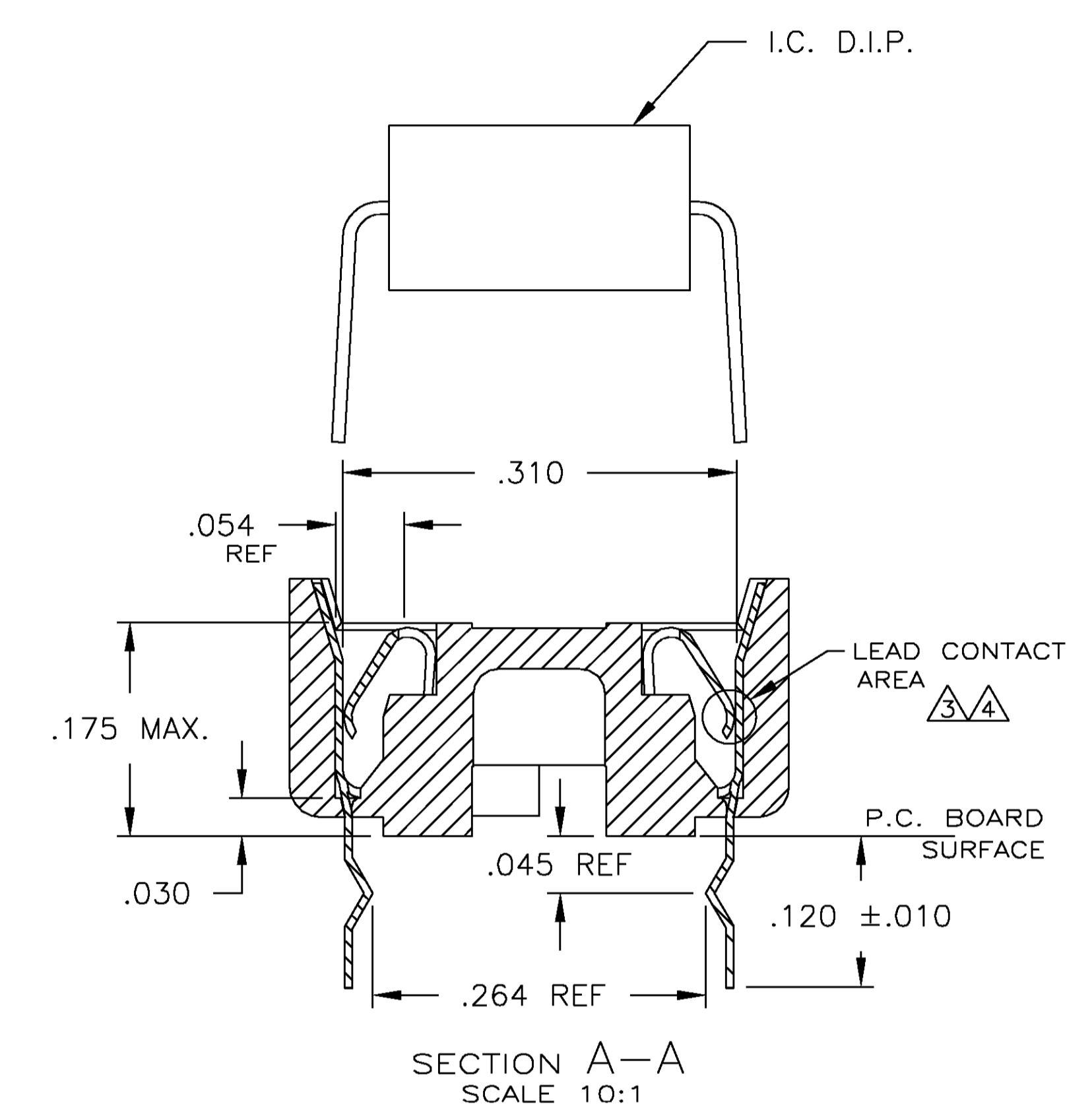
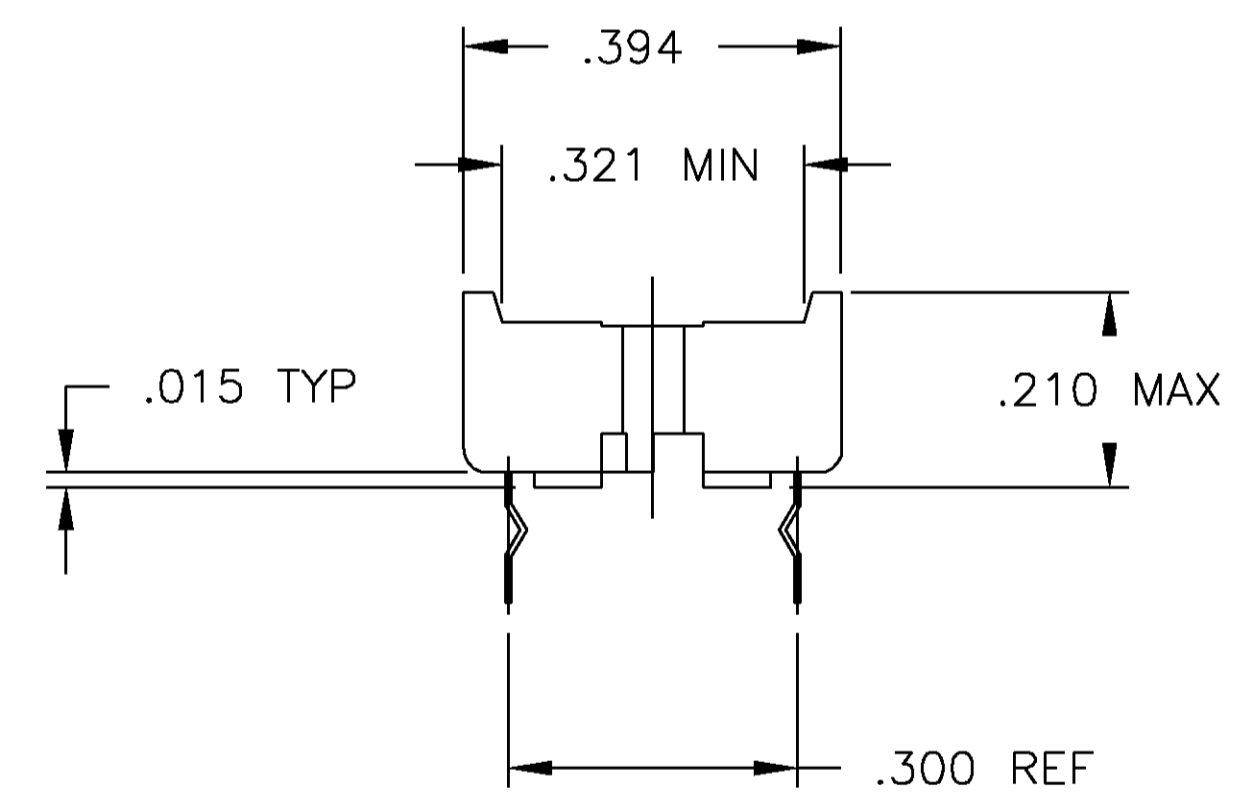
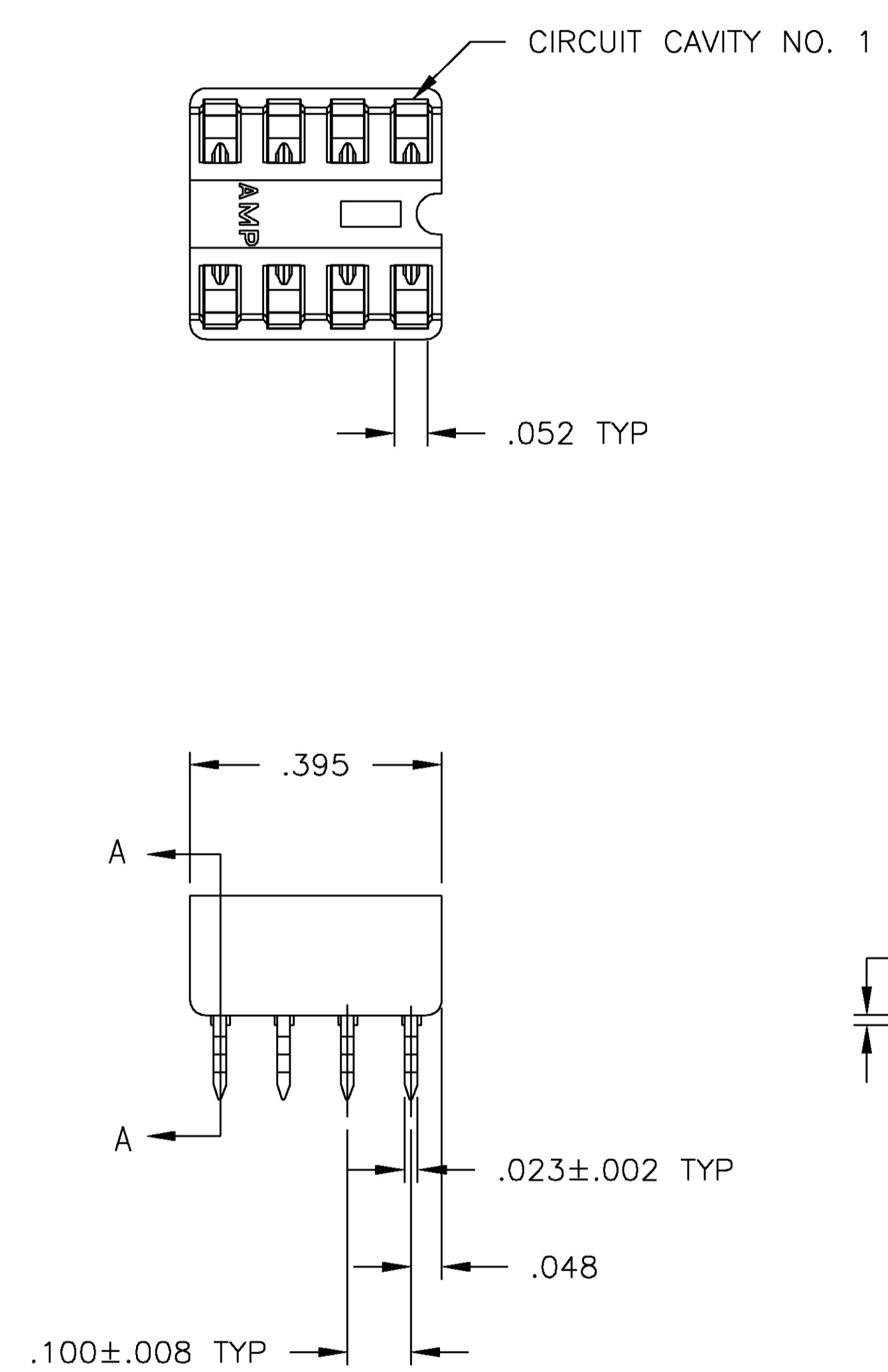


1. RECEPTACLE ACCEPTS A .008-.014 THICK I.C. LEAD.
2. TUBE LOADED.
3. TWO .000030 MIN THK. GOLD STRIPES IN CONTACT AREA WITH TIN-LEAD (93/7) ON CONTACT LEGS, BALANCE OF CONTACT NICKEL PLATED.
4. TWO .000015 MIN THK. GOLD STRIPES IN CONTACT AREA WITH TIN-LEAD (93/7) ON CONTACT LEGS, BALANCE OF CONTACT NICKEL PLATED.



OBSOLETE	TINNED	PHOS.BRZ. .006 THK	GLASS-FILLED THERMOPLASTIC, 94V-O, BLACK	2-641260-5
OBSOLETE	TINNED	PHOS.BRZ. .006 THK	GLASS-FILLED THERMOPLASTIC, 94V-O, BLACK	2-641260-4
OBSOLETE	TINNED	PHOS.BRZ. .006 THK	GLASS-FILLED THERMOPLASTIC, 94V-O, BLACK	2-641260-3
OBSOLETE	TINNED	BE.CU. .006 THK	GLASS-FILLED THERMOPLASTIC, 94V-O, BLACK	2-641260-2
	TINNED	BE.CU. .006 THK	GLASS-FILLED THERMOPLASTIC, 94V-O, BLACK	2-641260-1
	CONTACT FINISH	CONTACT MAT'L	HOUSING MATERIAL	PART NO.

THIS DRAWING IS A CONTROLLED DOCUMENT.

DRW	R BROWN	09JAN01	Tyco Electronics Corporation Harrisburg, PA 17105
CHK	H WYNKOOP	24AUG00	
APP'D	H WYNKOOP	24AUG00	NAME SOCKET ASSY, DIP, RET LEG, 8 POS, DIPLOMATE™ DL
PRODUCT SPEC	108-1066		
APPLICATION SPEC	114-1049		SIZE
WEIGHT	-		A1
CAGE CODE	00779		DRAWING NO
SCALE	5:1		RESTRICTED TO
SHEET	1		REV
TOTAL SHEETS	1		

CUSTOMER DRAWING