

Customer Information Sheet

DRAWING No.: M80-459XX98

SHT 2 OF 2

IF IN DOUBT - ASK

©

NOT TO SCALE

THIRD ANGLE PROJECTION

ALL DIMENSIONS IN mm

SPECIFICATION:

MATERIAL:

HOUSING = GLASS-FILLED POLYAMIDE 46,
UL94V-0, BLACK
101LOK SCREW, COLLAR = STAINLESS STEEL
SPRING = MUSIC WIRE

FINISH:

SPRING = TIN COATED

ELECTRICAL:

CURRENT RATING AT 25°C = 3.0A MAX
CURRENT RATING AT 85°C = 2.2A MAX
WORKING VOLTAGE = 800V AC/DC
VOLTAGE PROOF = 1200V AC/DC
CONTACT RESISTANCE = 25 mΩ MAX
INSULATION RESISTANCE = 100 MΩ MIN

MECHANICAL:

DURABILITY = 400 OPERATIONS
INSERTION FORCE = 2.8N MAX
WITHDRAWAL FORCE = 0.2N MIN

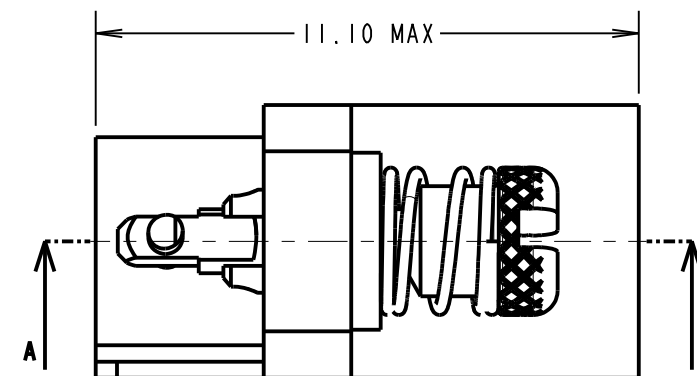
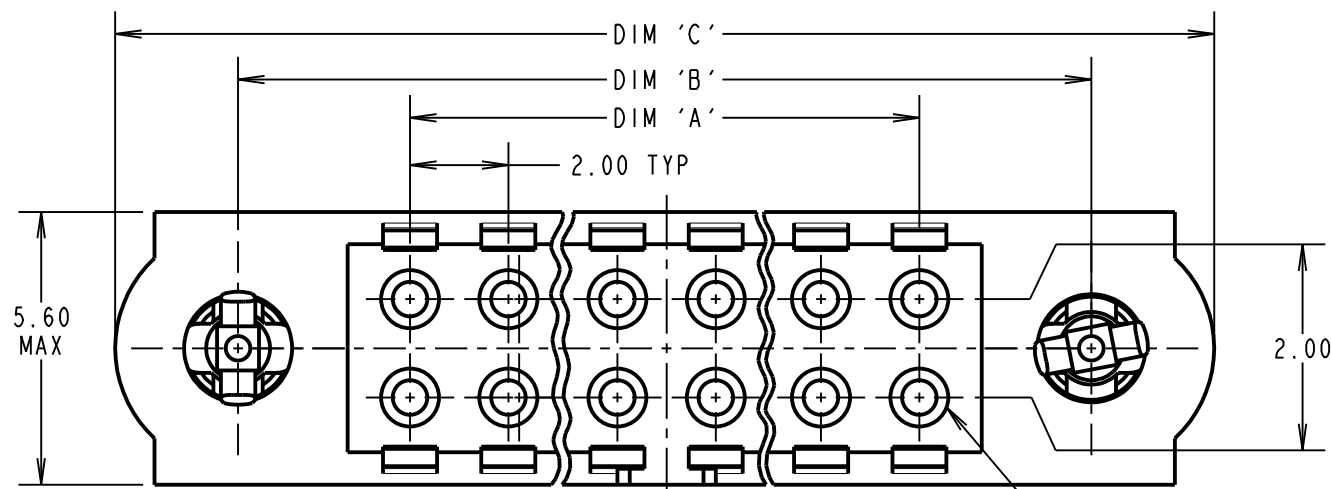
ENVIRONMENTAL:

TEMPERATURE RANGE = -55°C TO +125°C

PACKING:

BAG

FOR COMPLETE SPECIFICATION,
SEE COMPONENT SPECIFICATION
C040XX (LATEST ISSUE)



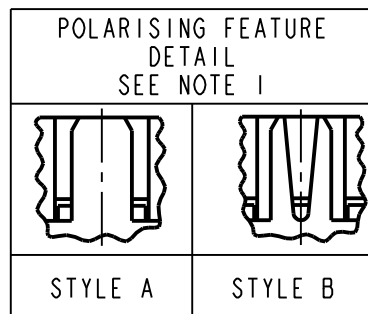
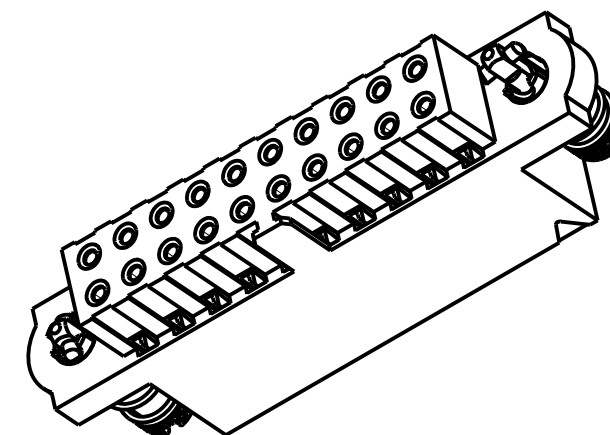
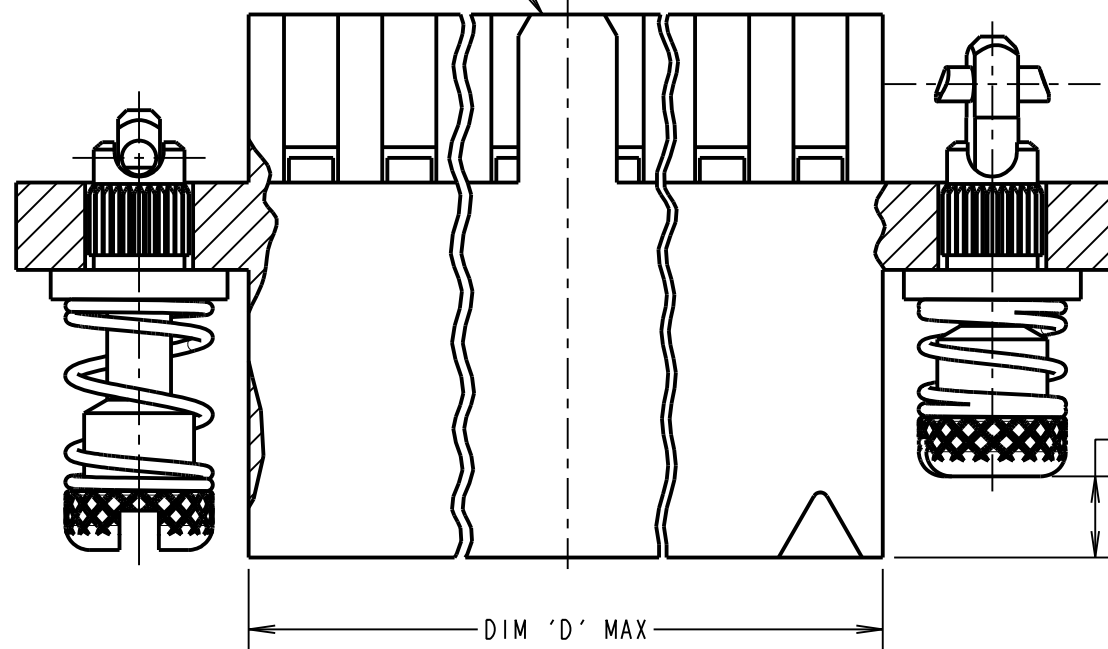
CONTACT
POSITION No. 1

NOTES:

1. POLARISING FEATURE STYLE DEPENDANT ON NUMBER OF CONTACT POSITIONS.
2. HOUSING TO BE USED WITH DATAMATE TRIO-TEK CRIMP CONTACTS:
M80-25300XX = 24-22 AWG REELED
M80-25400XX = 28-26 AWG REELED
M80-28300XX = 24-22 AWG LOOSE
M80-28400XX = 28-26 AWG LOOSE
3. THE SPECIFICATION APPLIES WHEN HOUSING IS USED WITH THE ABOVE CONTACTS.
4. CONTACT EXTRACTION TOOL = Z80-258.
5. INSTRUCTION SHEETS ARE AVAILABLE.
6. SPRING LOAD WHEN SOLID = 2.64N.
SPRING RATE = 1.32N/mm.
7. LENGTH WILL BE 1.7mm WHEN 101-SCREWS ARE ENGAGED WITH RETAINERS IN MATING CONNECTOR.

POLARISING FEATURE
SEE DETAIL

PART SECTION A-A



ORDER CODE:
M80-459XX98

TOTAL No. OF
CONTACT POSITIONS
04, 06, 08, 10, 12, 14, 20,
26, 28, 34, 42, 50

PLEASE CONTACT
datamate@harwin.com
FOR CURRENT AVAILABILITY

MSP	6	20.01.17	20389
NAME	ISS.	DATE	C/NOTE
APPROVED: M.PERREN			
CHECKED: M.PLESTED			
DRAWN: S.FLOWER			
CUSTOMER REF.:			
ASSEMBLY DRG:			

DIMENSION	CALCULATION
DIM 'A'	TOTAL No. OF CONTACT POSITIONS - 2
DIM 'B'	TOTAL No. OF CONTACT POSITIONS + 5
DIM 'C'	TOTAL No. OF CONTACT POSITIONS + 10
DIM 'D'	TOTAL No. OF CONTACT POSITIONS + 0.59
EXAMPLE: CONNECTOR WITH 20 CONTACT POSITIONS, M80-4592098	
DIM 'A' = 18.00mm, DIM 'B' = 25.00mm, DIM 'C' = 30.00mm	

HARWIN

www.harwin.com
technical@harwin.com

THIS DRAWING AND ANY
INFORMATION OR DESCRIPTIVE
MATTER SET OUT HEREON ARE
CONFIDENTIAL AND COPYRIGHT
PROPERTY OF THE HARWIN
GROUP AND MUST NOT BE
DISCLOSED, LOANED, COPIED
OR USED FOR MANUFACTURING,
TENDERING OR FOR ANY
OTHER PURPOSE WITHOUT
THEIR WRITTEN PERMISSION.

TOLERANCES
X. = ±1mm
X.X = ±0.25mm
X.XX = ±0.10mm
X.XXX = ±0.01mm
ANGLES = ±5°
UNLESS STATED

MATERIAL:
SEE ABOVE
FINISH:
S/AREA: mm²

TITLE: DATAMATE TRIO-TEK
FEMALE CRIMP HOUSING
WITH 101LOK JACKSCREWS

DRAWING NUMBER:
M80-459XX98

SHT
2 OF 2