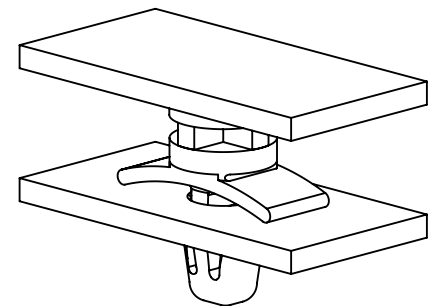


MATERIAL: NYLON 6/6 UL 94 V-2 (RMS-01) COLOR: NATURAL PART NO.	MATERIAL: NYLON 6/6 UL 94 V-0 (RMS-19) COLOR: NATURAL PART NO.	DIM. "A" $\pm .015 [0.4]$
PS-3-01	PS-3-19	3/16 [4.8]
PS-4-01	PS-4-19	1/4 [6.4]
PS-6-01	PS-6-19	3/8 [9.5]
PS-7-01	PS-7-19	7/16 [11.1]
PS-8-01	PS-8-19	1/2 [12.7]
PS-9-01	PS-9-19	9/16 [14.3]
PS-10-01	PS-10-19	5/8 [15.9]
PS-12-01	PS-12-19	3/4 [19.1]
PS-14-01	PS-14-19	7/8 [22.2]



TYPICAL APPLICATION

NOTES:

- MATERIAL: "IMPACT MODIFIED" NYLON 6/6 (RMS-73) AVAILABLE BY SPECIAL ORDER ONLY. TO ORDER RELACE "-01" WITH "-73". MATERIAL: " HEAT RESISTANT" NYLON 4/6 UL 94 V-2 (RMS-109) AVAILABLE BY SPECIAL ORDER ONLY. TO ORDER REPLACE "-01" WITH "-109"
- COLOR: BLACK AVAILABLE BY SPECIAL ORDER ONLY. TO ORDER ADD SUFFIX "BK" TO PART NO.
- PART IS ALSO AVAILABLE IN A 1/8 (3.2) THICK CHASSIS BY SPECIAL ORDER ONLY. TO ORDER USE P/N: PS-2-XX-XX

TITLE: PUSH SPACER			UNITS: IN [mm]		FINAL	
I	ADDED PS-9, ECN # 1368	DZ 07/03/2012	FILE #: PS	DWN: SK	APP: SK	PART #
H	SEE ECN #1208 FOR CHANGES	SK 11/29/2006	SHEET: 1 OF 1	SHEET SIZE: A	DT: 02/24/05	
G	SEE ECN #1196 FOR CHANGES	SK 07/17/2006	RE: RICHCO, INC.	RICHCO, INC.		PRINT TYPE
F	COMPLETELY REDRAWN, SEE ECN #949	SK 02/24/2005	RICHCO, INC.		CA	
-	SEE ENGINEERING FOR REVISIONS A-E	-	ENG@RICHCO-INC.COM		(773) 539-4060	
REV.	DESCRIPTION	ENGR. DATE	TOLERANCES UNLESS NOTED .XX= $\pm .010$ .XXX= $\pm .005$ FRAC.= $\pm 1/64$ ANG.= $\pm 1^\circ$			