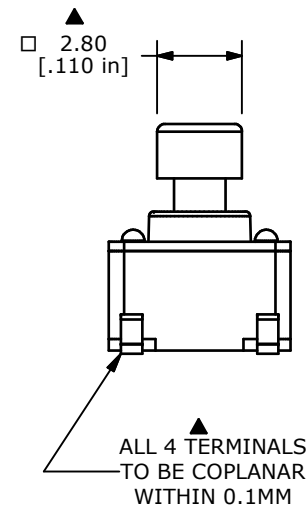
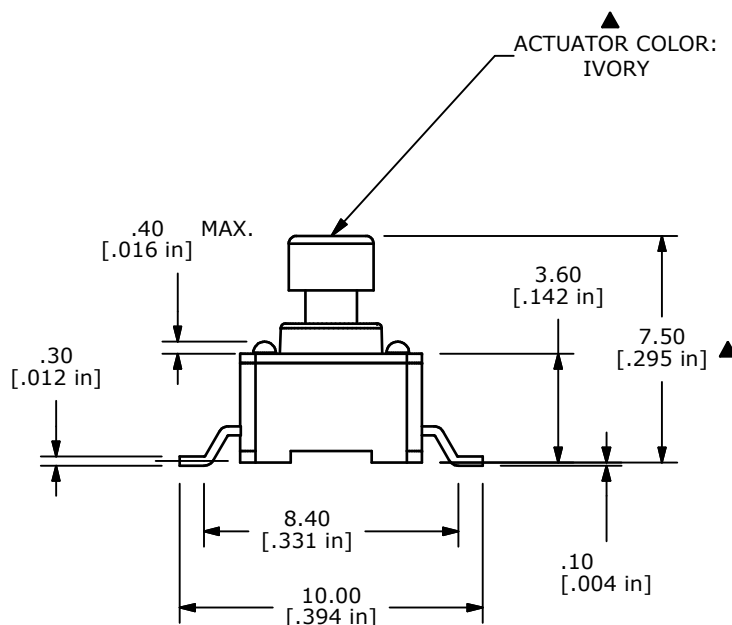
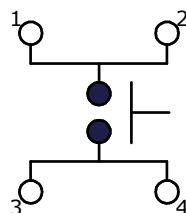


ISOMETRIC



NOTES:

1. ALL DIMENSIONS IN MM
2. GENERAL TOLERANCE: X.X=±0.4
X.XX=±0.25
3. TERM. NOS. FOR REFERENCE ONLY.
4. RATING: 12VDC, 50mA
- ▲ 5. OPERATING FORCE 260 ± 50 gf
6. TRAVEL: 0.25mm +0.2/-0.1mm
7. CONTACT RESISTANCE: 100 MILLI OHMS MAX. (INITIAL)
8. MECHANICAL/ELECTRICAL LIFE 100,000 CYCLES.
9. CONTACT MATERIAL: SILVER
- ▲ 10. 2002/95/EC (ROHS) COMPLIANT
11. PACKAGING: TAPE AND REEL; 750 PIECES PER REEL
12. ▲ DENOTES CRITICAL PARAMETER

E-SWITCH®

C	21068	ADD OPERATING FORCE	3/15/13	EBP
B	20775	UPDATED, CONVERTED INVENTOR	9/25/12	RC
REV	PCR NO	DESCRIPTION	DATE	BY

TITLE TL3301SPF260QG				
SCALE	DATE	DR	DWG	REV
4:1	9/25/2012	RC	P010799	C

THE INFORMATION CONTAINED IN THIS DOCUMENT IS PROPRIETARY TO E-SWITCH AND IS NOT TO BE COPIED OR TRANSFERRED